



Chipsmall Limited consists of a professional team with an average of over 10 year of expertise in the distribution of electronic components. Based in Hongkong, we have already established firm and mutual-benefit business relationships with customers from,Europe,America and south Asia,supplying obsolete and hard-to-find components to meet their specific needs.

With the principle of “Quality Parts,Customers Priority,Honest Operation,and Considerate Service”,our business mainly focus on the distribution of electronic components. Line cards we deal with include Microchip,ALPS,ROHM,Xilinx,Pulse,ON,Everlight and Freescale. Main products comprise IC,Modules,Potentiometer,IC Socket,Relay,Connector.Our parts cover such applications as commercial,industrial, and automotives areas.

We are looking forward to setting up business relationship with you and hope to provide you with the best service and solution. Let us make a better world for our industry!



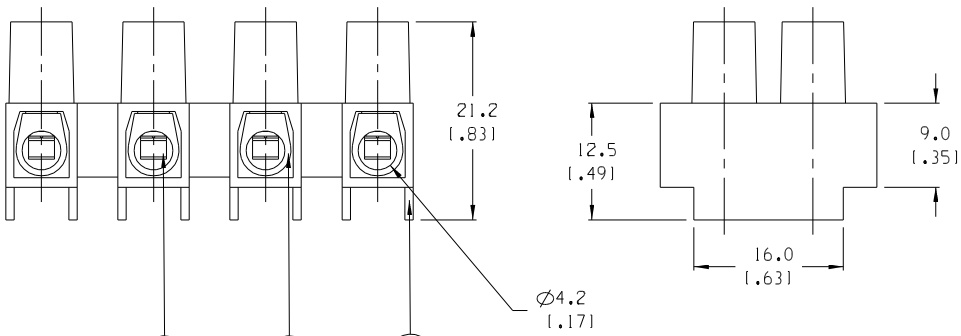
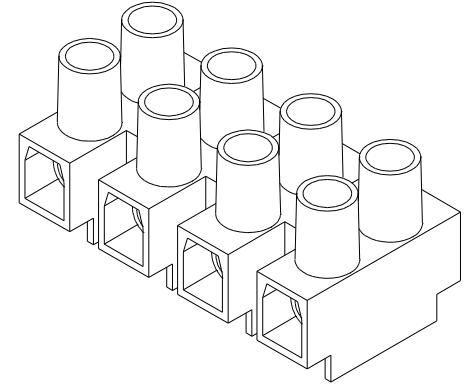
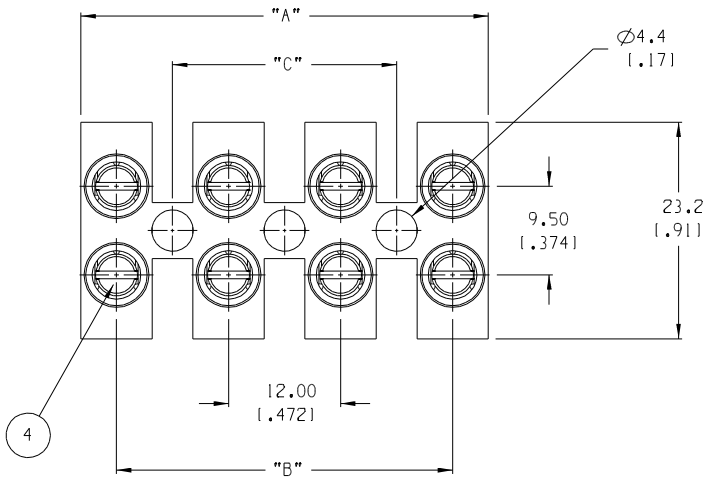
## Contact us

Tel: +86-755-8981 8866 Fax: +86-755-8427 6832

Email & Skype: info@chipsmall.com Web: www.chipsmall.com

Address: A1208, Overseas Decoration Building, #122 Zhenhua RD., Futian, Shenzhen, China





NUMBER OF CIRCUITS	"A" DIM.	"B" DIM.	"C" DIM.	MATERIAL NUMBER
01	8.00 (1.315)	N/A	N/A	391001201
02	20.00 (1.787)	12.00 (1.472)	N/A	391001202
03	32.00 (1.260)	24.00 (1.944)	12.00 (1.472)	391001203
04	44.00 (1.732)	36.00 (1.416)	24.00 (1.945)	391001204
05	56.00 (2.205)	48.00 (1.888)	36.00 (1.417)	391001205
06	68.00 (2.677)	60.00 (2.359)	48.00 (1.890)	391001206
07	80.00 (3.150)	72.00 (2.831)	60.00 (2.362)	391001207
08	92.00 (3.622)	84.00 (3.303)	72.00 (2.835)	391001208
09	104.00 (4.094)	96.00 (3.775)	84.00 (3.307)	391001209
10	116.00 (4.567)	108.00 (4.247)	96.00 (3.780)	391001210
11	128.00 (5.039)	120.00 (4.719)	108.00 (4.252)	391001211
12	140.00 (5.512)	132.00 (5.191)	120.00 (4.724)	391001212

- NOTES:
1. MATERIAL: SEE TABLE
  2. FINISHES: SEE TABLE
  3. PRODUCT SPECIFICATION: NOT REQUIRED
  4. PACKAGING: NOT REQUIRED
  5. MATES WITH: NONE
  6. "XX" REFERS TO THE NUMBER OF CIRCUITS

ITEM	QTY.	DESCRIPTION	MATERIAL	FINISH
4	XX*2	CLAMPING SCREWS, M3.5	STEEL	ZINC
3	XX	WIRE PROTECTOR	BRASS	NICKEL
2	XX	TERMINAL	BRASS	NICKEL
1	1	INSULATOR	NYLON 6	CLEAR

EC NO. RELEASED DRWG: JF 09-16-04 CH'K: APPR: A	QUALITY SYMBOLS MAJOR CRITICAL SPC S	GENERAL TOLERANCES: (UNLESS SPECIFIED)		SCALE 2:1	DESIGN UNITS <input type="checkbox"/> mm <input checked="" type="checkbox"/> INCH	THIRD ANGLE PROJECTION	DIMENSIONS: <input checked="" type="checkbox"/> mm <input type="checkbox"/> INCH <input type="checkbox"/> mm ONLY		PROJECT NO. - - - SHT REV	
		4 PLACES mm ±.0015 INCH ±.0015 3 PLACES mm ±.038 INCH ±.005 2 PLACES mm ±.13 INCH ±.01 1 PLACE mm ±.3		DRAWN BY & DATE J.FARMER 09-16-04		TITLE: 12MM HIGH PROFILE WITH WIRE PROTECTORS				
		ANGULAR: ±2°		CHECKED BY & DATE		MOLEX INCORPORATED				
		DRAFT WHERE APPLICABLE MUST REMAIN WITHIN DIMENSIONS		APPROVED BY & DATE		CAD FILENAME 39100-12XX	MATERIAL NO. SEE CHART	DRAWING NO. SD-39100-006	SHEET NO. 1 OF 1	SIZE B

THIS DRAWING CONTAINS INFORMATION THAT IS PROPRIETARY TO MOLEX INCORPORATED AND SHOULD NOT BE USED WITHOUT WRITTEN PERMISSION.