



Chipsmall Limited consists of a professional team with an average of over 10 year of expertise in the distribution of electronic components. Based in Hongkong, we have already established firm and mutual-benefit business relationships with customers from,Europe,America and south Asia,supplying obsolete and hard-to-find components to meet their specific needs.

With the principle of “Quality Parts,Customers Priority,Honest Operation,and Considerate Service”,our business mainly focus on the distribution of electronic components. Line cards we deal with include Microchip,ALPS,ROHM,Xilinx,Pulse,ON,Everlight and Freescale. Main products comprise IC,Modules,Potentiometer,IC Socket,Relay,Connector.Our parts cover such applications as commercial,industrial, and automotives areas.

We are looking forward to setting up business relationship with you and hope to provide you with the best service and solution. Let us make a better world for our industry!



Contact us

Tel: +86-755-8981 8866 Fax: +86-755-8427 6832

Email & Skype: info@chipsmall.com Web: www.chipsmall.com

Address: A1208, Overseas Decoration Building, #122 Zhenhua RD., Futian, Shenzhen, China



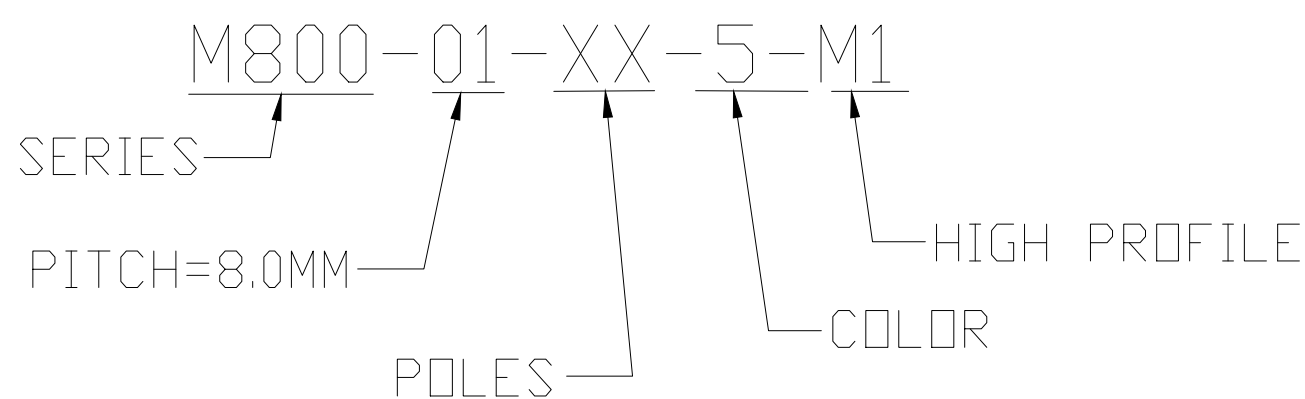
PART NUMBER DATA							
CIRCUITS	PART NUMBER	ENGINEERING NUMBER	COLOR	A IN mm		B IN mm	
2	391001802	M800-01-02-5-M1	WHITE	.53	13.5	.315	8.00
3	391001803	M800-01-03-5-M1	WHITE	.85	21.5	.630	16.00
4	391001804	M800-01-04-5-M1	WHITE	1.16	29.5	.945	24.00
5	391001805	M800-01-05-5-M1	WHITE	1.48	37.5	1.260	32.00
6	391001806	M800-01-06-5-M1	WHITE	1.79	45.5	1.575	40.01
7	391001807	M800-01-07-5-M1	WHITE	2.11	53.5	1.890	48.01
8	391001808	M800-01-08-5-M1	WHITE	2.42	61.5	2.205	56.01
9	391001809	M800-01-09-5-M1	WHITE	2.74	69.5	2.520	64.01
10	391001810	M800-01-10-5-M1	WHITE	3.05	77.5	2.835	72.01
11	391001811	M800-01-11-5-M1	WHITE	3.37	85.5	3.150	80.01
12	391001812	M800-01-12-5-M1	WHITE	3.68	93.5	3.465	88.01

REF. LAST 2 DIGITS OF PART NUMBER EQUAL CIRCUIT COUNT

NOTE: IF THIS PRODUCT IS STORED IN AN ENVIRONMENT WITH A RELATIVE HUMIDITY OF LESS THAN 50%, MOISTURE MUST BE ADDED. REFER TO TECHNICAL ADVISORY AS 45499-001 FOR INSTRUCTIONS.



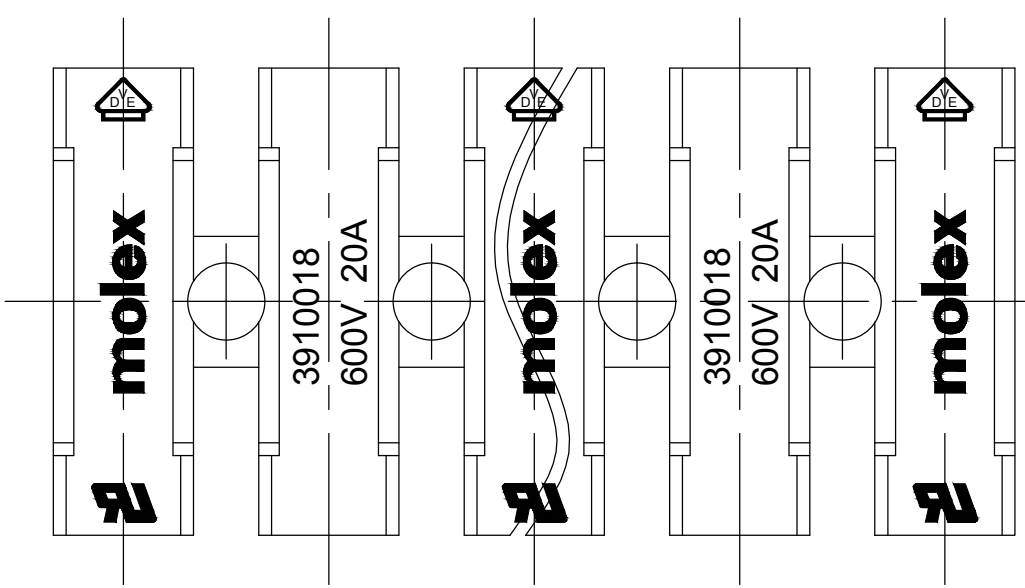
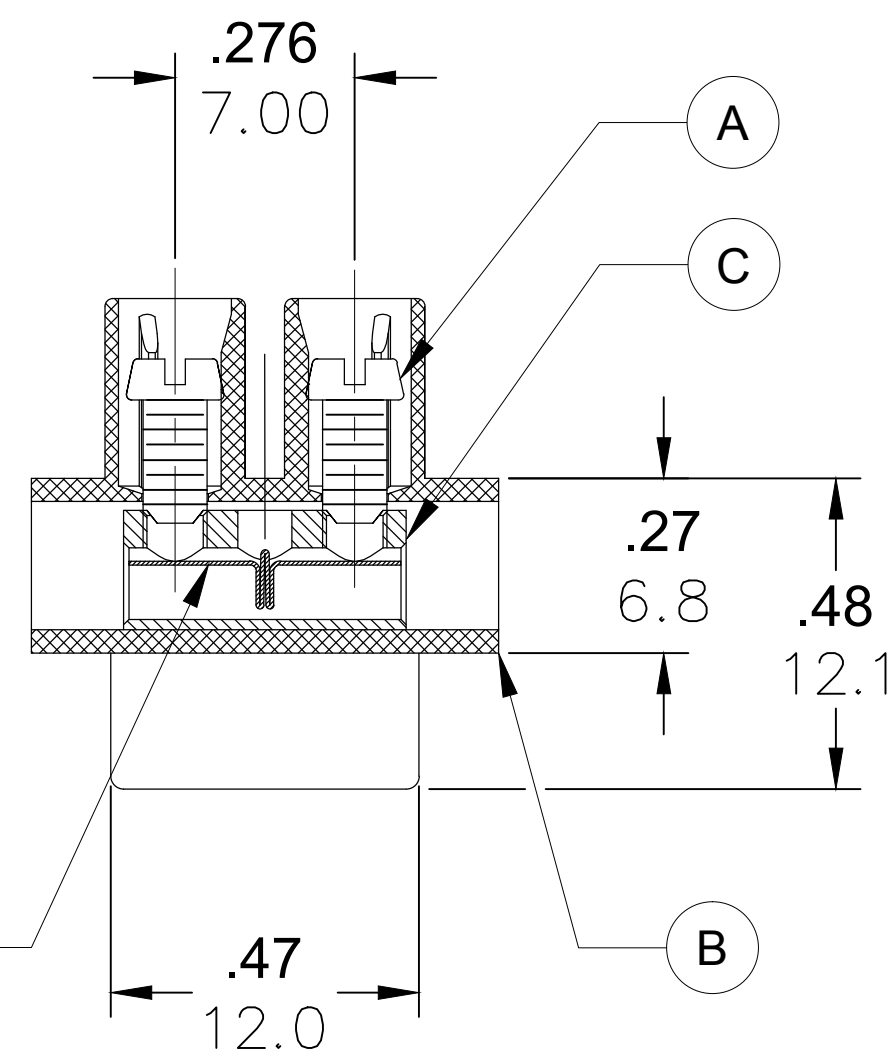
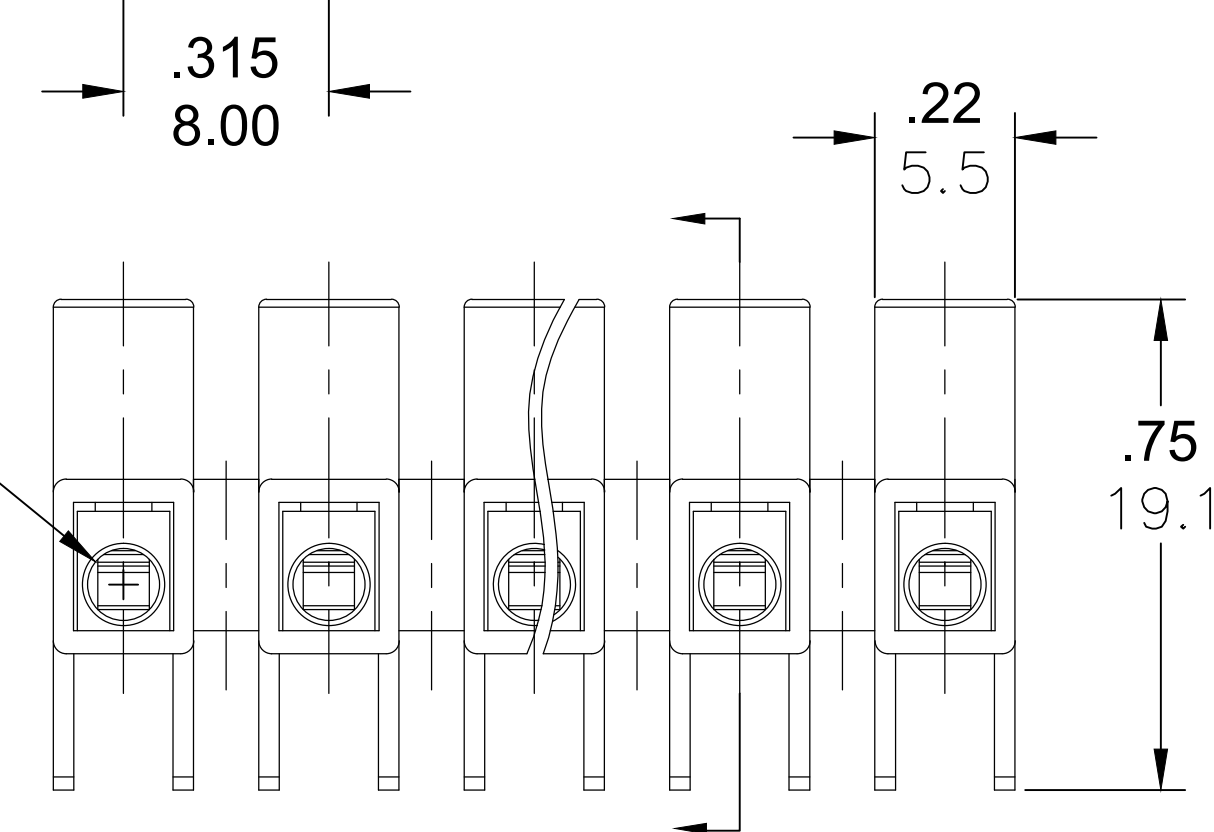
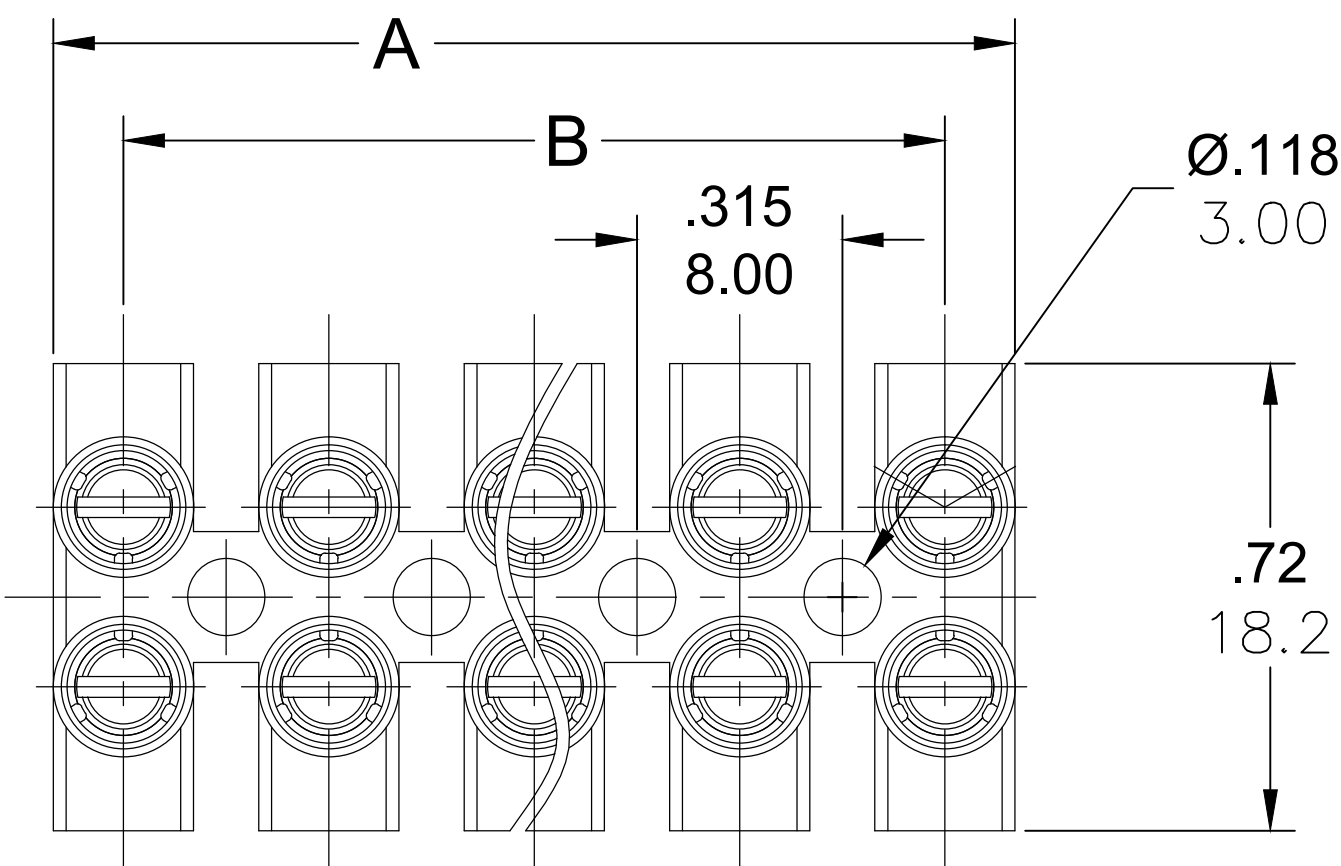
ENGINEERING NUMBER LEGEND



CONTACT FACTORY FOR OPTIONAL COLORS

SPECIFICATIONS:

- Material:
 - (A) Screw: Steel, Zinc plated
 - (B) Body: PA66 UL94 V-0
 - (C) Cage: Brass, Nickel plated
 - (D) Terminal: Stainless Steel
- Rating: 600V, 20amps
- Wire range: 22-12 AWG
- Max torque: 4.4 in lbs.
- Dielectric voltage withstand: DC 3000V for 1 minute.
- Insulation resistance: DC 1000V, 100GΩ
- Rated Impulse Voltage: 4000V, Plus and Minus 5 times each
- Strip Length: .20 in. (5.0mm)
- Operating Temperature: -40° C to +105° C
- Contact Resistance: < 3 mΩ
- All dims. shown are for reference only



TOLERANCES			
MM	TOL	INCH	TOL
0-6	±0.25	0-.24	±.010
>6-30	±0.40	.24-1.18	±.016
>30-120	±0.50	1.18-4.76	±.020
>120	±0.80	>4.76	±.031

REVISED DOC TOL EC NO.: ICG2017-0881 DRWN: ABENJAMI CH'KD: --- APPR: BRUPERT 4/5/17 2014/07/21	QUALITY SYMBOL ▽=0 ▽C=0	GENERAL TOLERANCES (UNLESS SPECIFIED)		DIMENSION STYLE IN/MM		SCALE ---	DESIGN UNITS METRIC	THIRD ANGLE PROJECTION		
		4 PLACES ±--- ±---		DRAWN BY RSTONE DATE 2014/07/07		TITLE		TERMINAL STRIP 8.0MM HIGH PROFILE 600V		
		3 PLACES ±--- ±---		CHECKED BY G FARNSW DATE ---		MOLEX INCORPORATED				
		2 PLACES ±--- ±---		APPROVED BY JFMURPHY DATE 2014/07/21		MATERIAL NO. SEE CHART		DOCUMENT NO. SD-39100-011		SHEET NO. 1 OF 1
1 PLACE ±--- ±---		ANGULAR ±---°		DRAFT WHERE APPLICABLE MUST REMAIN WITHIN DIMENSIONS		THIS DRAWING CONTAINS INFORMATION THAT IS PROPRIETARY TO MOLEX INCORPORATED AND SHOULD NOT BE USED WITHOUT WRITTEN PERMISSION				