



Chipsmall Limited consists of a professional team with an average of over 10 year of expertise in the distribution of electronic components. Based in Hongkong, we have already established firm and mutual-benefit business relationships with customers from,Europe,America and south Asia,supplying obsolete and hard-to-find components to meet their specific needs.

With the principle of “Quality Parts,Customers Priority,Honest Operation,and Considerate Service”,our business mainly focus on the distribution of electronic components. Line cards we deal with include Microchip,ALPS,ROHM,Xilinx,Pulse,ON,Everlight and Freescale. Main products comprise IC,Modules,Potentiometer,IC Socket,Relay,Connector.Our parts cover such applications as commercial,industrial, and automotives areas.

We are looking forward to setting up business relationship with you and hope to provide you with the best service and solution. Let us make a better world for our industry!



Contact us

Tel: +86-755-8981 8866 Fax: +86-755-8427 6832

Email & Skype: info@chipsmall.com Web: www.chipsmall.com

Address: A1208, Overseas Decoration Building, #122 Zhenhua RD., Futian, Shenzhen, China



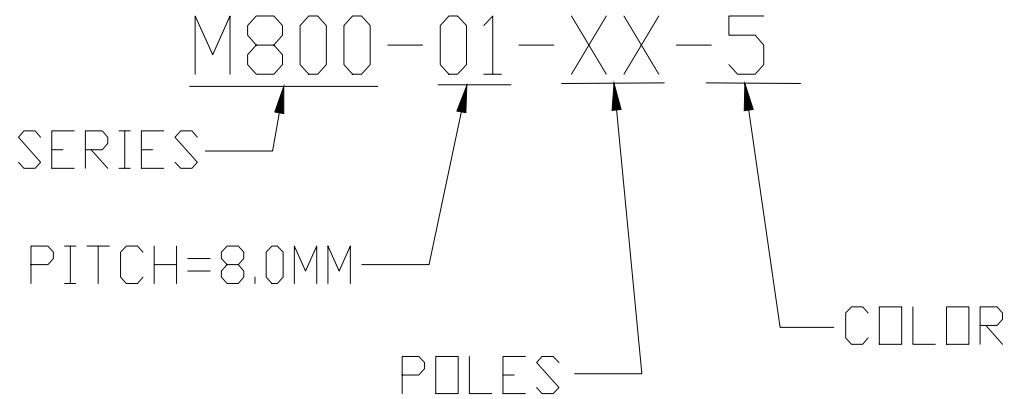
PART NUMBER DATA							
CIRCUITS	PART NUMBER	ENGINEERING NUMBER	COLOR	A IN mm		B IN mm	
2	391001902	M800-01-02-5	WHITE	.53	13.5	.315	8.00
3	391001903	M800-01-03-5	WHITE	.85	21.5	.630	16.00
4	391001904	M800-01-04-5	WHITE	1.16	29.5	.945	24.00
5	391001905	M800-01-05-5	WHITE	1.48	37.5	1.260	32.00
6	391001906	M800-01-06-5	WHITE	1.79	45.5	1.575	40.01
7	391001907	M800-01-07-5	WHITE	2.11	53.5	1.890	48.01
8	391001908	M800-01-08-5	WHITE	2.42	61.5	2.205	56.01
9	391001909	M800-01-09-5	WHITE	2.74	69.5	2.520	64.01
10	391001910	M800-01-10-5	WHITE	3.05	77.5	2.835	72.01
11	391001911	M800-01-11-5	WHITE	3.37	85.5	3.150	80.01
12	391001912	M800-01-12-5	WHITE	3.68	93.5	3.465	88.01

REF. LAST 2 DIGITS OF PART NUMBER EQUAL CIRCUIT COUNT

NOTE: IF THIS PRODUCT IS STORED IN AN ENVIRONMENT WITH A RELATIVE HUMIDITY OF LESS THAN 50%, MOISTURE MUST BE ADDED. REFER TO TECHNICAL ADVISORY AS 45499-001 FOR INSTRUCTIONS.



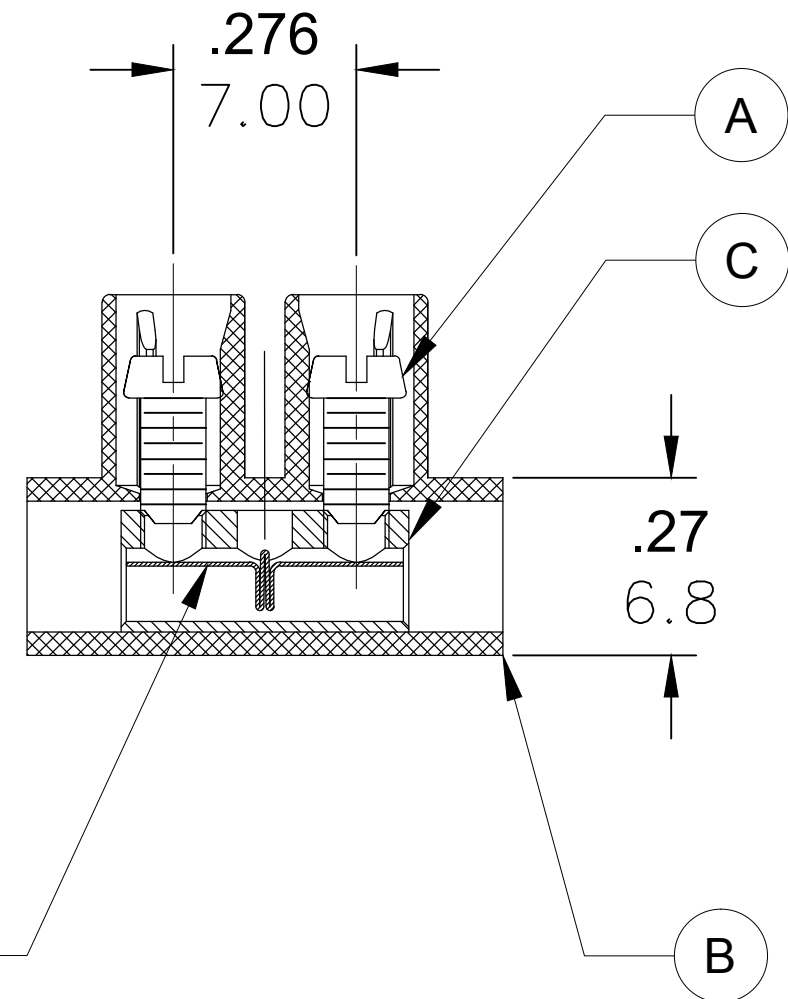
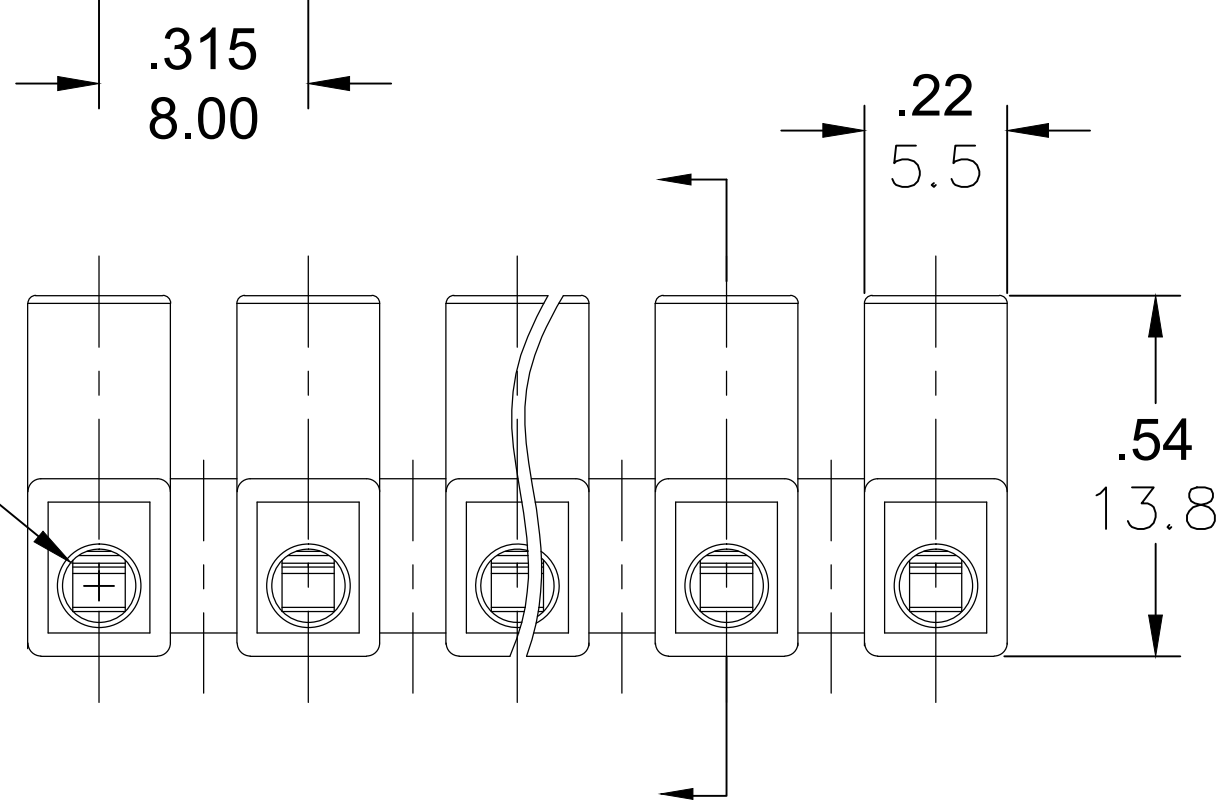
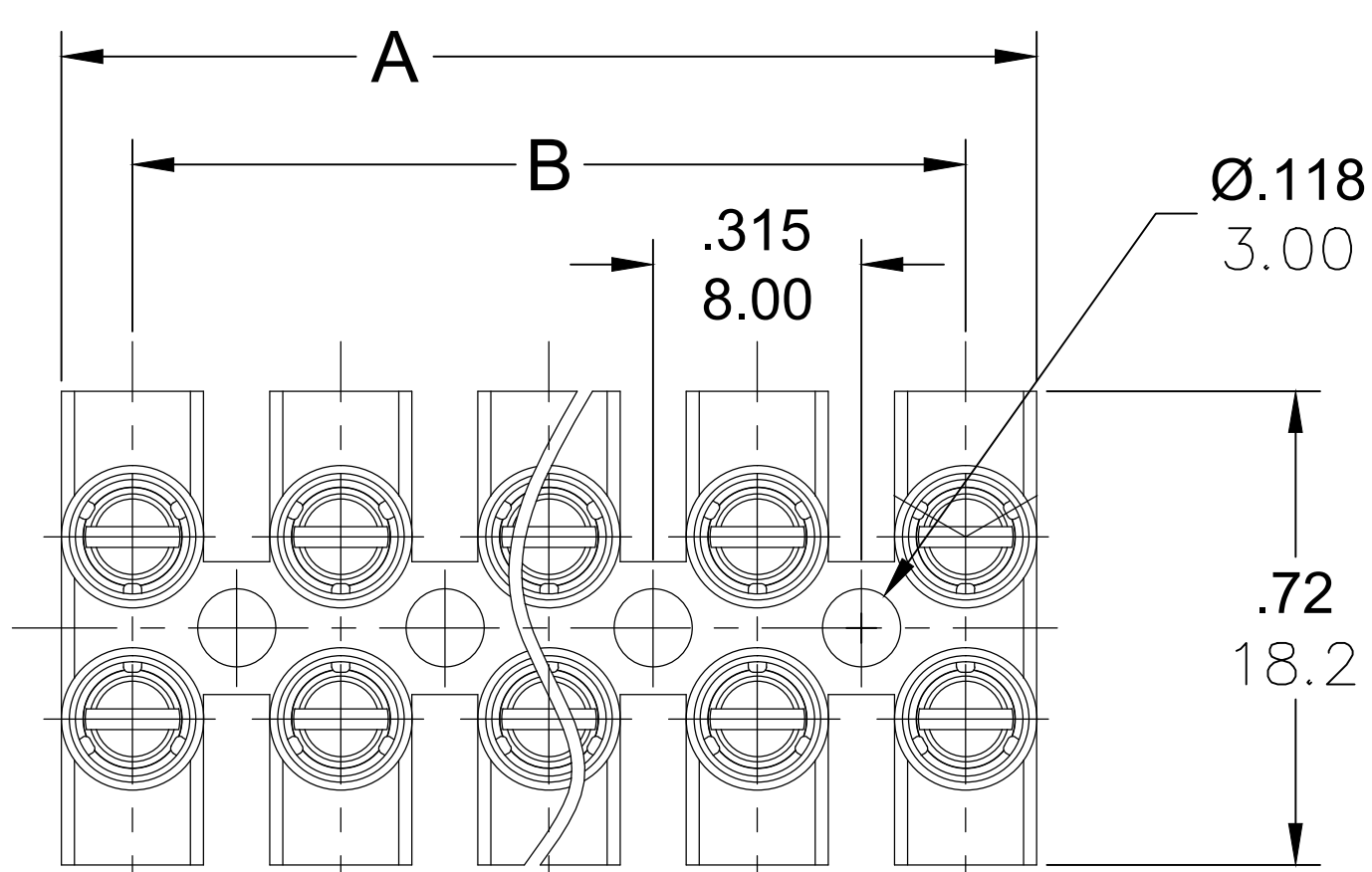
ENGINEERING NUMBER LEGEND



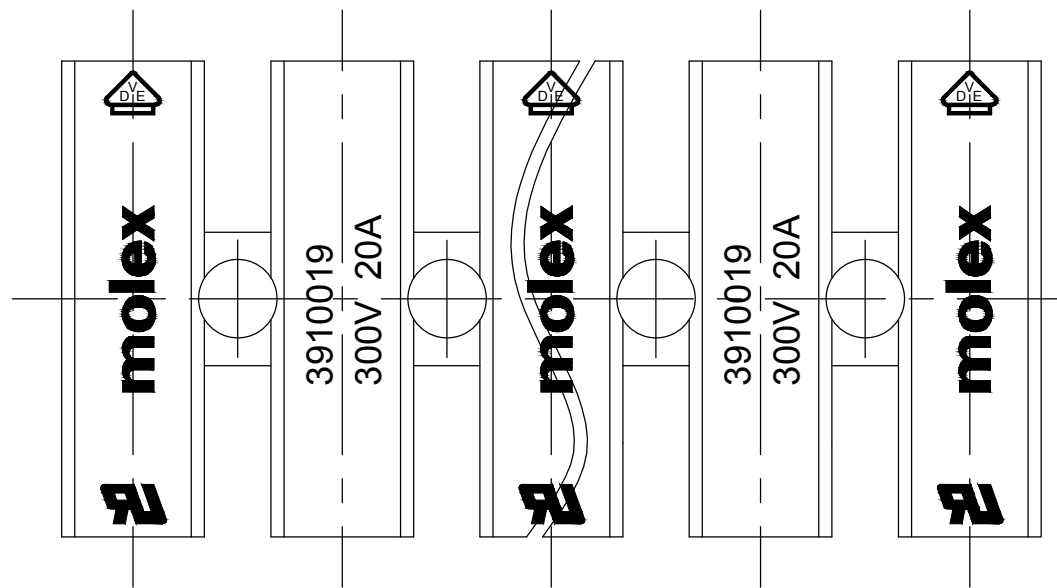
CONTACT FACTORY FOR OPTIONAL COLORS

SPECIFICATIONS:

- Material:
 - (A) Screw: Steel, Zinc plated
 - (B) Body: PA66 UL94 V-0
 - (C) Cage: Brass, Nickel plated
 - (D) Terminal: Stainless Steel
- Rating: 300V, 20amps
- Wire range: 22-12 AWG
- Max torque: 4.4 in lbs.
- Dielectric voltage withstand: DC 3000V for 1 minute.
- Insulation resistance: DC 1000V, 100GΩ
- Rated Impulse Voltage: 4000V, Plus and Minus 5 times each
- Strip Length: .20 in. (5.0mm)
- Operating Temperature: -40° C to +105° C
- Contact Resistance: < 3 mΩ
- All dims. shown are for reference only



Ø.110
2.80



TOLERANCES			
MM	TOL	INCH	TOL
0-6	±0.25	0-.24	±.010
>6-30	±0.40	.24-1.18	±.016
>30-120	±0.50	1.18-4.76	±.020
>120	±0.80	>4.76	±.031

REVISED DOC TOL EC NO.: ICG2017-0881 DRWN: ABENJAMI CHKD: --- APPR: BRUPERT C1	4/5/17	2014/07/21	QUALITY SYMBOL ▽=0 ▽C=0	GENERAL TOLERANCES (UNLESS SPECIFIED)	DIMENSION STYLE IN/MM	SCALE ---	DESIGN UNITS METRIC	THIRD ANGLE PROJECTION
	DESCRIPTION			4 PLACES ±--- ±---	DRAWN BY DATE RSTONE 2014/07/08	TITLE TERMINAL STRIP 8.0MM LOW PROFILE 300V		
				3 PLACES ±--- ±---	CHECKED BY DATE G FARNSW ---	MATERIAL NO. SEE CHART		
				2 PLACES ±--- ±---	APPROVED BY DATE JFMURPHY 2014/07/21	DOCUMENT NO. SD-39100-012		
			1 PLACE ±--- ±---	ANGULAR ±---°	SHEET NO. 1 OF 1		THIS DRAWING CONTAINS INFORMATION THAT IS PROPRIETARY TO MOLEX INCORPORATED AND SHOULD NOT BE USED WITHOUT WRITTEN PERMISSION	