



Chipsmall Limited consists of a professional team with an average of over 10 year of expertise in the distribution of electronic components. Based in Hongkong, we have already established firm and mutual-benefit business relationships with customers from,Europe,America and south Asia,supplying obsolete and hard-to-find components to meet their specific needs.

With the principle of “Quality Parts,Customers Priority,Honest Operation,and Considerate Service”,our business mainly focus on the distribution of electronic components. Line cards we deal with include Microchip,ALPS,ROHM,Xilinx,Pulse,ON,Everlight and Freescale. Main products comprise IC,Modules,Potentiometer,IC Socket,Relay,Connector.Our parts cover such applications as commercial,industrial, and automotives areas.

We are looking forward to setting up business relationship with you and hope to provide you with the best service and solution. Let us make a better world for our industry!



## Contact us

Tel: +86-755-8981 8866 Fax: +86-755-8427 6832

Email & Skype: info@chipsmall.com Web: www.chipsmall.com

Address: A1208, Overseas Decoration Building, #122 Zhenhua RD., Futian, Shenzhen, China



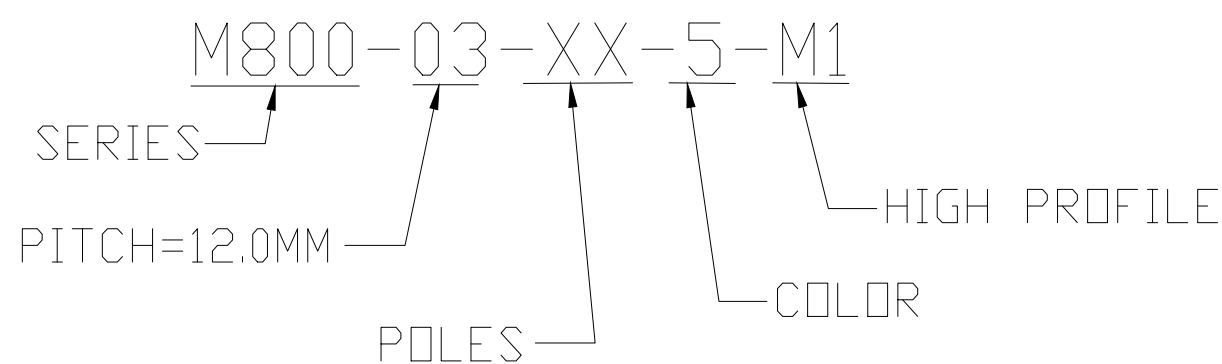
PART NUMBER DATA							
CIRCUITS	PART NUMBER	ENGINEERING NUMBER	COLOR	A IN mm		B IN mm	
2	391002202	M800-03-02-5-M1	WHITE	.79	20.0	.472	12.00
3	391002203	M800-03-03-5-M1	WHITE	1.26	32.0	.945	24.00
4	391002204	M800-03-04-5-M1	WHITE	1.73	44.0	1.417	36.00
5	391002205	M800-03-05-5-M1	WHITE	2.20	56.0	1.890	48.00
6	391002206	M800-03-06-5-M1	WHITE	2.68	68.0	2.362	60.00
7	391002207	M800-03-07-5-M1	WHITE	3.15	80.0	2.835	72.00
8	391002208	M800-03-08-5-M1	WHITE	3.62	92.0	3.307	84.00
9	391002209	M800-03-09-5-M1	WHITE	4.09	104.0	3.780	96.00
10	391002210	M800-03-10-5-M1	WHITE	4.57	116.0	4.252	108.00
11	391002211	M800-03-11-5-M1	WHITE	5.04	128.0	4.724	120.00
12	391002212	M800-03-12-5-M1	WHITE	5.51	140.0	5.197	132.00

REF. LAST 2 DIGITS OF PART NUMBER EQUAL CIRCUIT COUNT

NOTE: IF THIS PRODUCT IS STORED IN AN ENVIRONMENT WITH A RELATIVE HUMIDITY OF LESS THAN 50%, MOISTURE MUST BE ADDED. REFER TO TECHNICAL ADVISORY AS 45499-001 FOR INSTRUCTIONS.

(C)

ENGINEERING NUMBER LEGEND

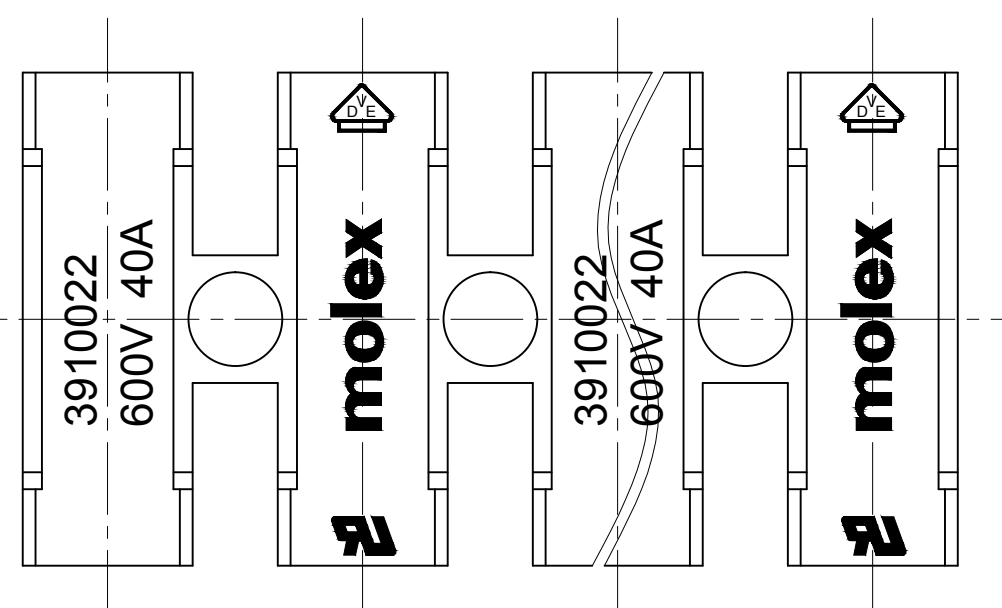
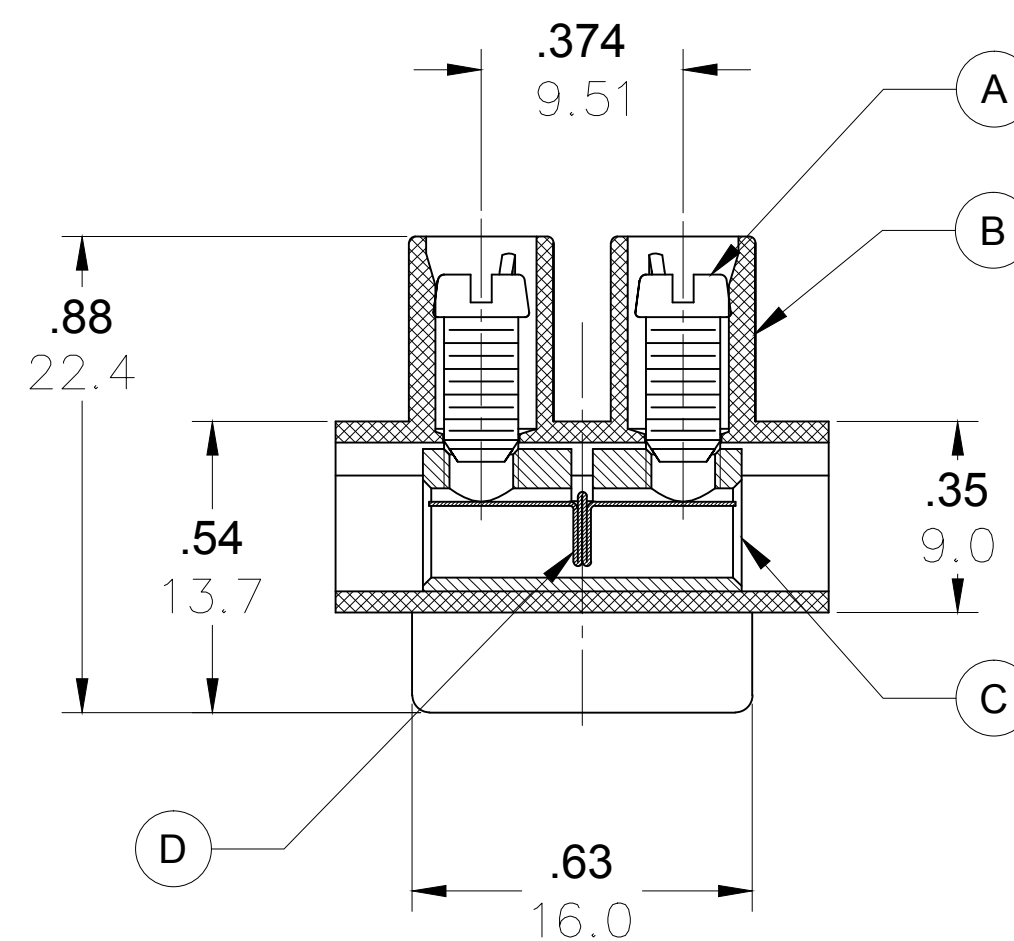
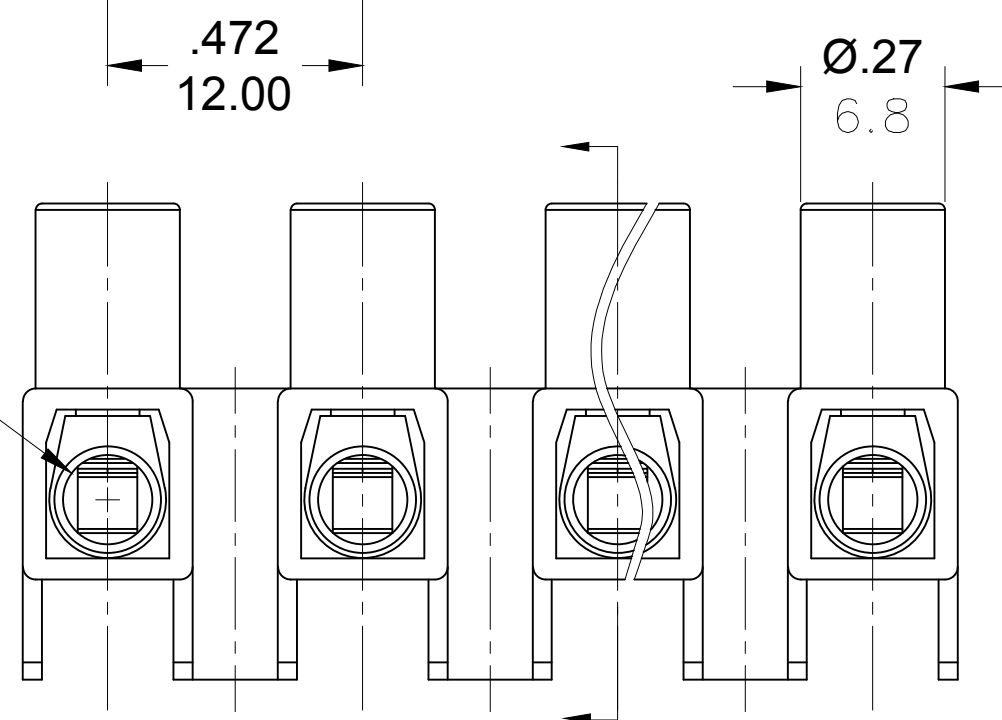
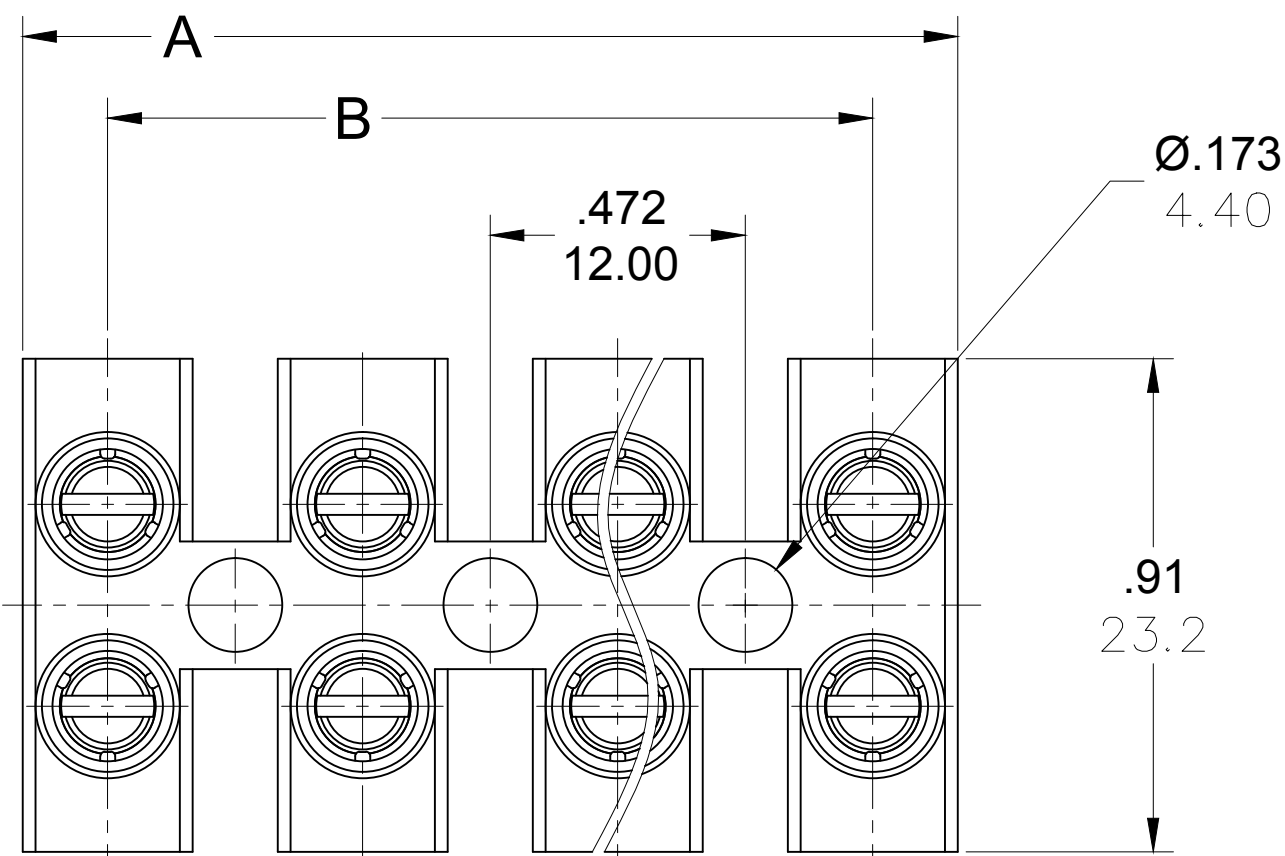


CONTACT FACTORY FOR OPTIONAL COLORS

SPECIFICATIONS:

- Material:
  - (A) Screw: Steel, Zinc plated
  - (B) Body: PA66 UL94 V-0
  - (C) Cage: Brass, Nickel plated
  - (D) Terminal: Stainless Steel
- Rating: 600V, 40amps
- Wire range: 20-8 AWG
- Max torque: 7.0 in lbs.
- Dielectric voltage withstand: DC 3000V for 1 minute.
- Insulation resistance: DC 1000V, 100G Ω
- Rated Impulse Voltage: 4000V, Plus and Minus 5 times each
- Strip Length: .24 in. (6.0mm)
- Operating Temperature: -40° C to +105° C
- Contact Resistance: < 3 mΩ
- All dims. shown are for reference only

Ø.165  
4.20



TOLERANCES			
MM	TOL	INCH	TOL
0-6	±0.25	0-.24	±.010
>6-30	±0.40	.24-1.18	±.016
>30-120	±0.50	1.18-4.76	±.020
>120	±0.80	>4.76	±.031

REVISED DOC TOL EC NO: IPG2017-0881 DRWN: ABENJAMI CH'KD: --- APPR: BRUPERT 2014/07/21	QUALITY SYMBOL	GENERAL TOLERANCES (UNLESS SPECIFIED)		DIMENSION STYLE IN/MM		SCALE ---	DESIGN UNITS METRIC	THIRD ANGLE PROJECTION	
	▽=0	mm	INCH	DRAWN BY RSTONE	DATE 2014/07/11	TITLE			
	∇=0	4 PLACES ±---	±---	3 PLACES ±---	±---	TERMINAL STRIP 12MM HIGH PROFILE 600V			
		2 PLACES ±---	±---	1 PLACE ±---	±---	MOLEX INCORPORATED			
C1	REV	ANGULAR ±---		APPROVED BY JFMURPHY		DATE 2014/07/21	DOCUMENT NO. SD-39100-015		SHEET NO. 1 OF 1
DRAFT WHERE APPLICABLE MUST REMAIN WITHIN DIMENSIONS				MATERIAL NO. SEE CHART		THIS DRAWING CONTAINS INFORMATION THAT IS PROPRIETARY TO MOLEX INCORPORATED AND SHOULD NOT BE USED WITHOUT WRITTEN PERMISSION			