



Chipsmall Limited consists of a professional team with an average of over 10 year of expertise in the distribution of electronic components. Based in Hongkong, we have already established firm and mutual-benefit business relationships with customers from,Europe,America and south Asia,supplying obsolete and hard-to-find components to meet their specific needs.

With the principle of "Quality Parts,Customers Priority,Honest Operation,and Considerate Service",our business mainly focus on the distribution of electronic components. Line cards we deal with include Microchip,ALPS,ROHM,Xilinx,Pulse,ON,Everlight and Freescale. Main products comprise IC,Modules,Potentiometer,IC Socket,Relay,Connector.Our parts cover such applications as commercial,industrial, and automotives areas.

We are looking forward to setting up business relationship with you and hope to provide you with the best service and solution. Let us make a better world for our industry!



Contact us

Tel: +86-755-8981 8866 Fax: +86-755-8427 6832

Email & Skype: info@chipsmall.com Web: www.chipsmall.com

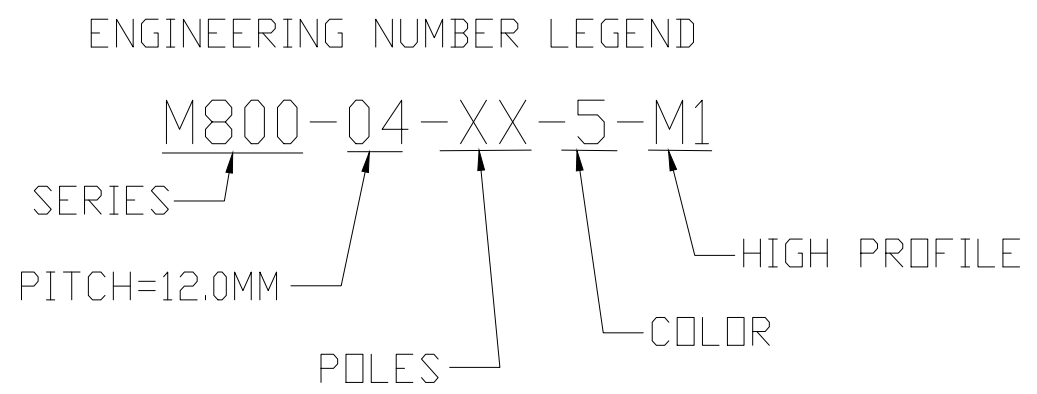
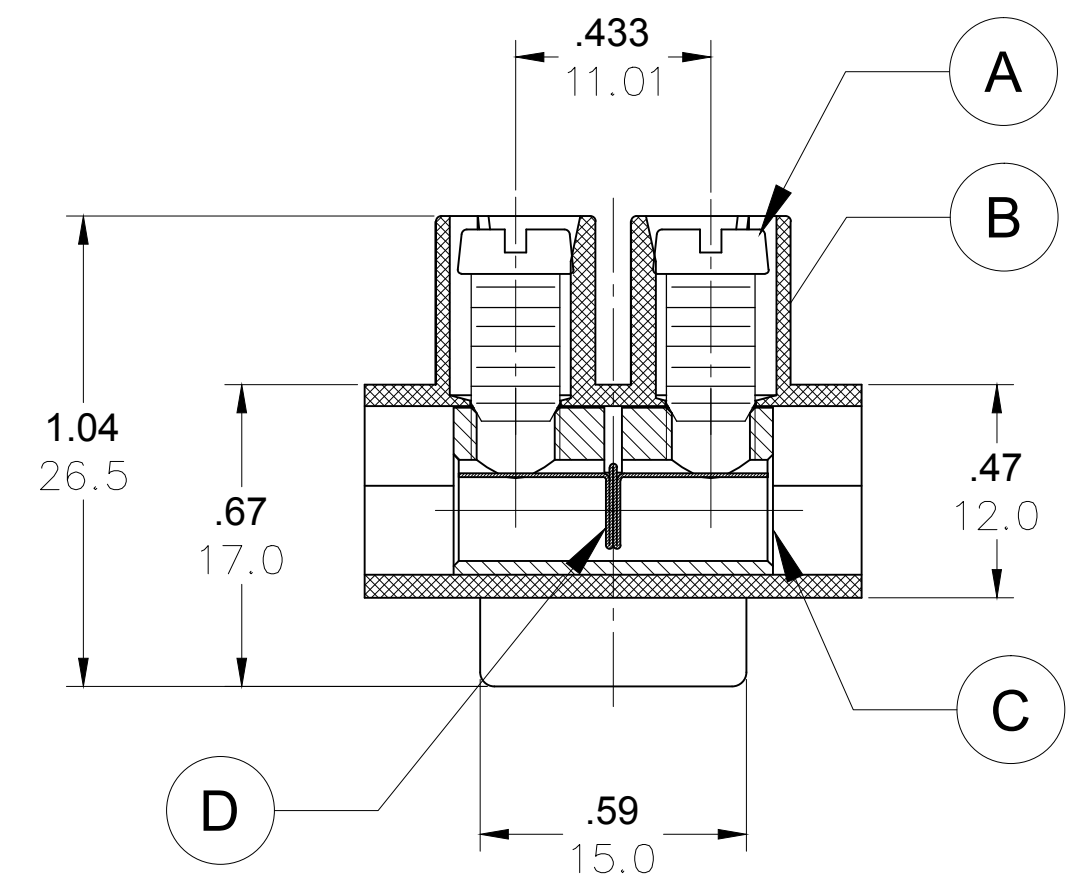
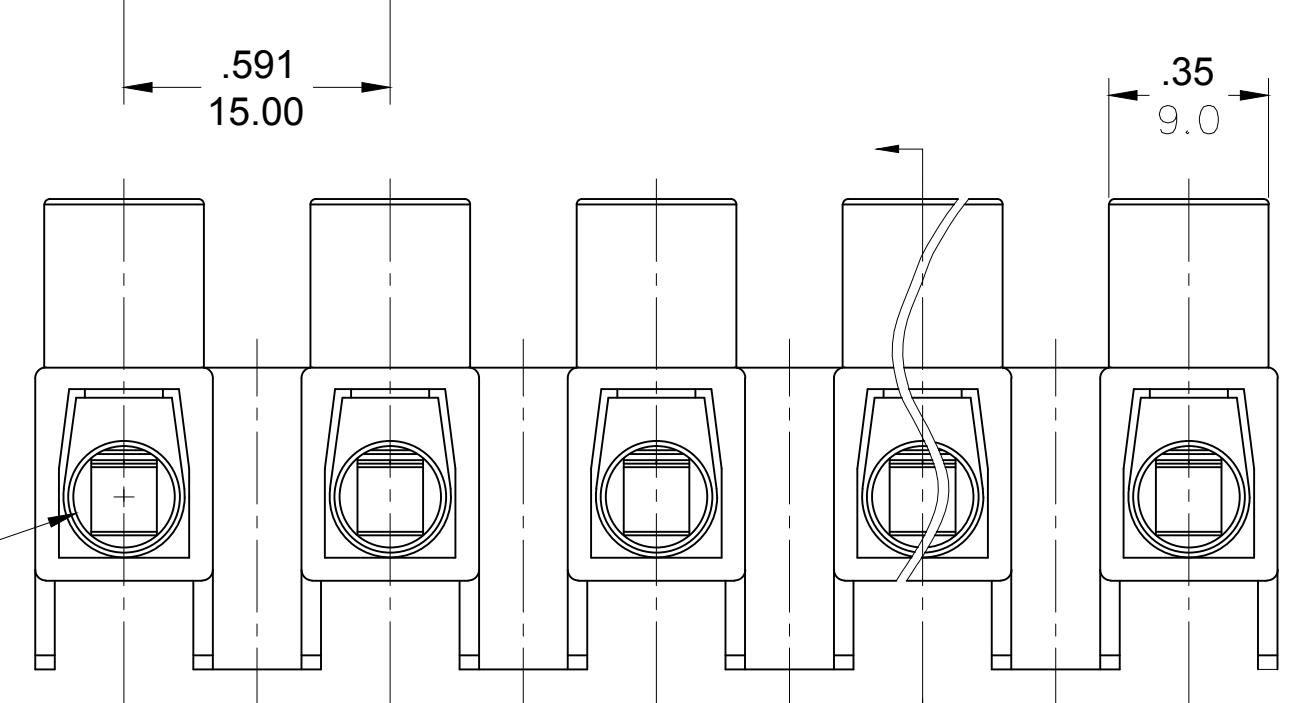
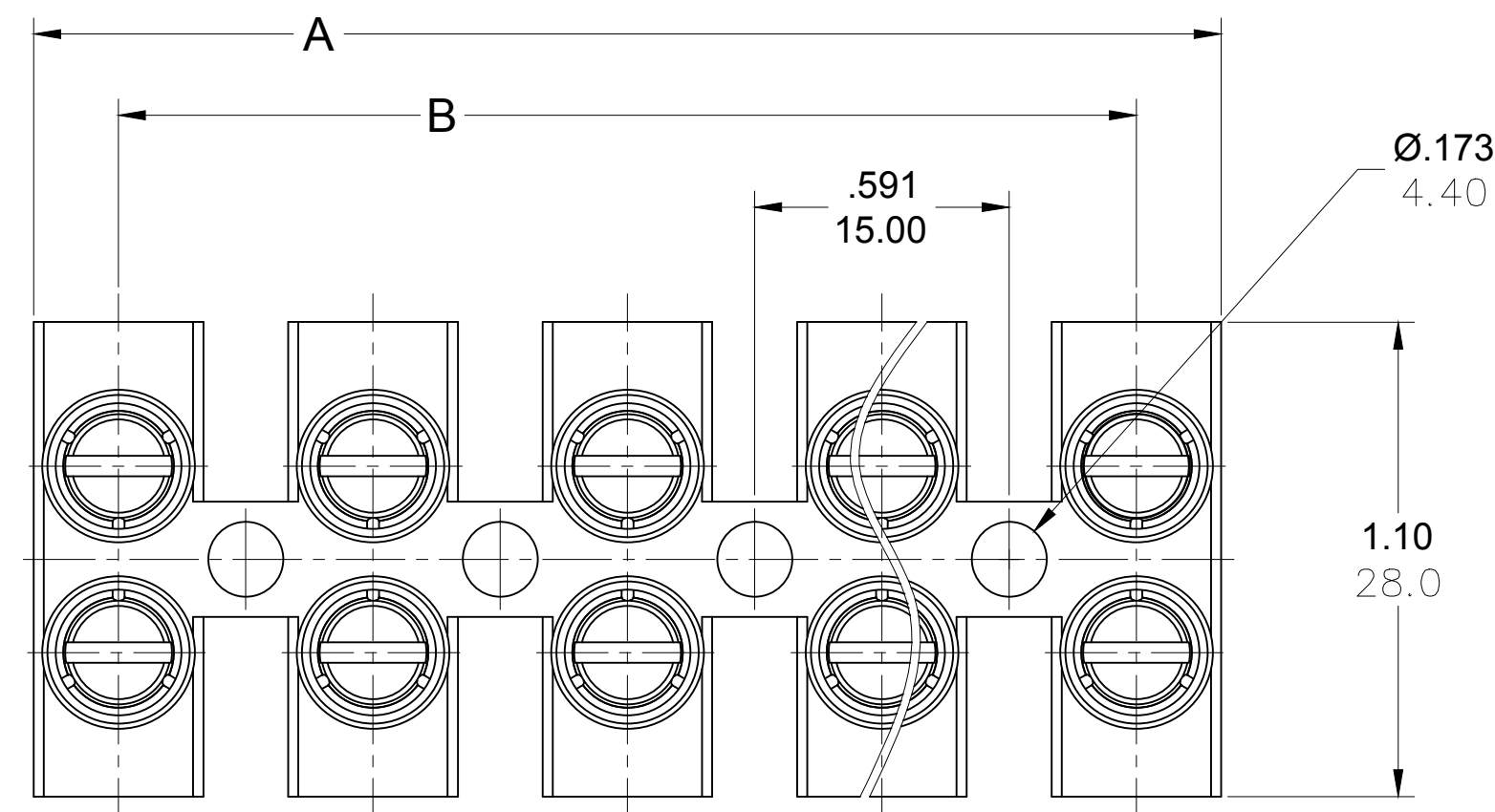
Address: A1208, Overseas Decoration Building, #122 Zhenhua RD., Futian, Shenzhen, China



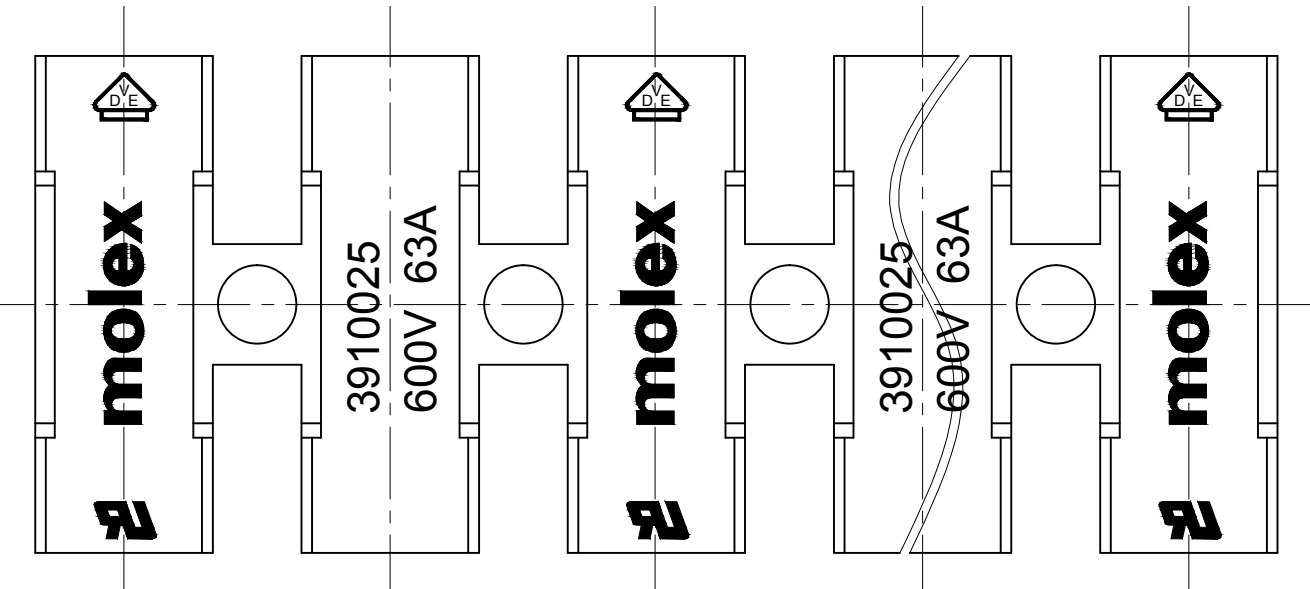
PART NUMBER DATA							
CIRCUITS	PART NUMBER	ENGINEERING NUMBER	COLOR	A IN mm		B IN mm	
2	391002502	M800-04-02-5-M1	WHITE	.98	25.0	.591	15.00
3	391002503	M800-04-03-5-M1	WHITE	1.57	40.0	1.181	30.00
4	391002504	M800-04-04-5-M1	WHITE	2.17	55.0	1.772	45.00
5	391002505	M800-04-05-5-M1	WHITE	2.76	70.0	2.362	60.00
6	391002506	M800-04-06-5-M1	WHITE	3.35	85.0	2.953	75.00
7	391002507	M800-04-07-5-M1	WHITE	3.94	100.0	3.543	90.00
8	391002508	M800-04-08-5-M1	WHITE	4.53	115.0	4.134	105.00
9	391002509	M800-04-09-5-M1	WHITE	5.12	130.0	4.724	120.00
10	391002510	M800-04-10-5-M1	WHITE	5.71	145.0	5.315	135.00
11	391002511	M800-04-11-5-M1	WHITE	6.30	160.0	5.906	150.00
12	391002512	M800-04-12-5-M1	WHITE	6.89	175.0	6.496	165.00

REF. LAST 2 DIGITS OF PART NUMBER EQUAL CIRCUIT COUNT

NOTE: IF THIS PRODUCT IS STORED IN AN ENVIRONMENT WITH A RELATIVE HUMIDITY OF LESS THAN 50%, MOISTURE MUST BE ADDED. REFER TO TECHNICAL ADVISORY AS 45499-001 FOR INSTRUCTIONS.



CONTACT FACTORY FOR OPTIONAL COLORS



SPECIFICATIONS:

- Material:
 - (A) Screw: Steel, Zinc plated
 - (B) Body: PA66 UL94 V-0
 - (C) Cage: Brass, Nickel plated
 - (D) Terminal: Stainless Steel
- Rating: 600V, 63amps
- Wire range: 14-6 AWG
- Max torque: 20.0 in lbs.
- Dielectric voltage withstand: DC 3000V for 1 minute.
- Insulation resistance: DC 1000V, 100GΩ
- Rated Impulse Voltage: 6000V, Plus and Minus 5 times each
- Strip Length: .31 in. (8.0mm)
- Operating Temperature: -40° C to +105° C
- Contact Resistance: < 3 mΩ
- All dims. shown are for reference only

TOLERANCES			
MM	TOL	INCH	TOL
0-6	±0.25	0-.24	±.010
>6-30	±0.40	.24-1.18	±.016
>30-120	±0.50	1.18-4.76	±.020
>120	±0.80	>4.76	±.031

REVISED DOC TOL EC NO.: ICG2017-0881 DRWN: ABENJAMI 4/5/17 CHKD: --- APPR: BRUPERT 2014/07/21 DESCRIPTION:	QUALITY SYMBOL	GENERAL TOLERANCES (UNLESS SPECIFIED)	DIMENSION STYLE IN/MM	SCALE ---	DESIGN UNITS METRIC	THIRD ANGLE PROJECTION
	▽=0	4 PLACES ±--- ±---	DRAWN BY RSTONE DATE 2014/07/11	TITLE	TERMINAL STRIP 15MM HIGH PROFILE 600V	
	∇=0	3 PLACES ±--- ±---	CHECKED BY G FARNSW DATE ---	MOLEX INCORPORATED		
		2 PLACES ±--- ±---	APPROVED BY JFMURPHY DATE 2014/07/21	MATERIAL NO. SEE CHART	DOCUMENT NO. SD-39100-017	SHEET NO. 1 OF 1
C1		1 PLACE ±--- ±---	THIS DRAWING CONTAINS INFORMATION THAT IS PROPRIETARY TO MOLEX INCORPORATED AND SHOULD NOT BE USED WITHOUT WRITTEN PERMISSION			