



Chipsmall Limited consists of a professional team with an average of over 10 year of expertise in the distribution of electronic components. Based in Hongkong, we have already established firm and mutual-benefit business relationships with customers from,Europe,America and south Asia,supplying obsolete and hard-to-find components to meet their specific needs.

With the principle of "Quality Parts,Customers Priority,Honest Operation,and Considerate Service",our business mainly focus on the distribution of electronic components. Line cards we deal with include Microchip,ALPS,ROHM,Xilinx,Pulse,ON,Everlight and Freescale. Main products comprise IC,Modules,Potentiometer,IC Socket,Relay,Connector.Our parts cover such applications as commercial,industrial, and automotives areas.

We are looking forward to setting up business relationship with you and hope to provide you with the best service and solution. Let us make a better world for our industry!



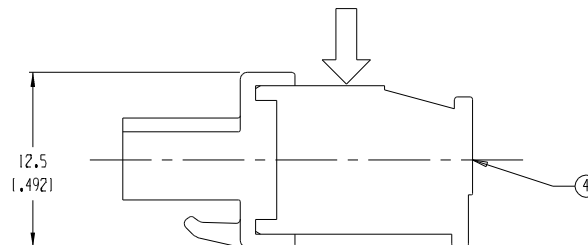
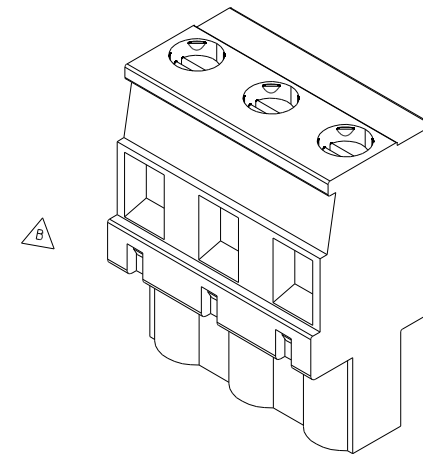
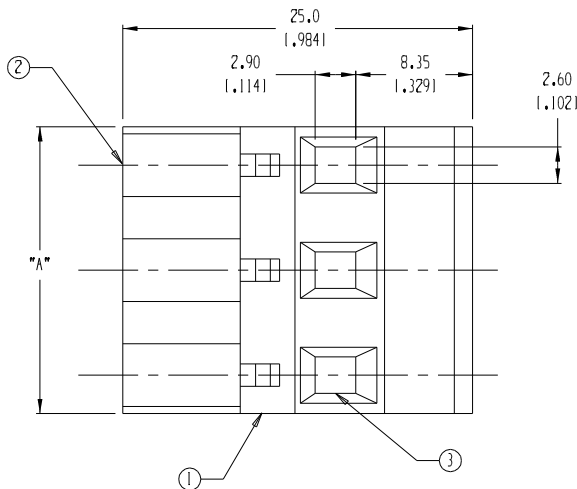
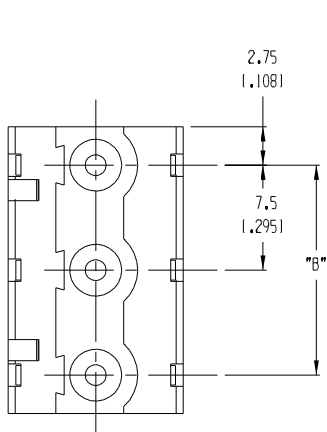
Contact us

Tel: +86-755-8981 8866 Fax: +86-755-8427 6832

Email & Skype: info@chipsmall.com Web: www.chipsmall.com

Address: A1208, Overseas Decoration Building, #122 Zhenhua RD., Futian, Shenzhen, China





MATERIAL NUMBER	NUMBER OF CIRCUITS "XX"	A	B
039374-0802	2	13.0 (1.511)	7.50 (1.2951)
039374-0803	3	20.5 (10.811)	15.00 (1.5911)
039374-0804	4	28.0 (11.101)	22.50 (1.8861)
039374-0805	5	35.5 (11.401)	30.00 (1.1811)
039374-0806	6	43.0 (11.691)	37.50 (1.4761)
039374-0807	7	50.5 (11.991)	45.00 (1.7721)
039374-0808	8	58.0 (12.281)	52.50 (12.0671)
039374-0809	9	65.5 (12.581)	60.00 (12.3621)
039374-0810	10	73.0 (12.871)	67.50 (12.6571)
039374-0811	11	80.5 (13.171)	75.00 (12.9531)
039374-0812	12	88.0 (13.461)	82.50 (13.2481)

NOTES:

1. MATERIAL: SEE TABLE
2. FINISHES: SEE TABLE
3. PRODUCT SPECIFICATION: NOT REQUIRED
4. PACKAGING: NOT REQUIRED
5. MATES WITH: 7.5MM HEADER
6. "XX" - REFERS TO THE NUMBER OF CIRCUIT POSITIONS

ITEM	QTY.	DESCRIPTION	MATERIAL	FINISH
4	XX	SCREW	COPPER ALLOY	NICKEL-PLATED
3	XX	CAGE CLAMP	COPPER ALLOY	NICKEL-PLATED
2	XX	TERMINAL	PHOS. BRONZE	TIN-PLATED
1	1	HOUSING	POLYAMIDE	BLACK

EC NO. 3846 DRWN: CH'K1 APPR: CY 09-03-04 B	DESCRIPTION MAJOR CRITICAL SPC S	QUALITY SYMBOLS		GENERAL TOLERANCES: (UNLESS SPECIFIED)		SCALE 3:1	DESIGN UNITS <input type="checkbox"/> mm <input checked="" type="checkbox"/> INCH	<input checked="" type="checkbox"/> THIRD ANGLE <input type="checkbox"/> PROJECTION	PROJECT NO. - - -	SHT -	REV -
		4 PLACES ±.0015 3 PLACES ±.038 ±.005 2 PLACES ±.13 ±.01 1 PLACE ±.3	mm INCH ±.0015 ±.005 ±.13 ±.01 ±.3	DRAWN BY & DATE W HOWARD 07/21/03	CHECKED BY & DATE R. KEMP 07/23/03	TITLE: 7.5MM VERT PLUG, REAR WIRE ENTRY			DIMENSIONS: <input checked="" type="checkbox"/> mm <input type="checkbox"/> INCH <input type="checkbox"/> mm <input type="checkbox"/> mm ONLY	REVISE ON CAD ONLY	
REV		ANGULAR: ±2°		DRAFT WHERE APPLICABLE MUST REMAIN WITHIN DIMENSIONS		APPROVED BY & DATE P. WALTZ 07/23/03	CAD FILENAME 3708XX	MATERIAL NO. SEE CHART	DRAWING NO. SD-39374-001	SHEET NO. 1 OF 1	SIZE B
THIS DRAWING CONTAINS INFORMATION THAT IS PROPRIETARY TO MOLEX INCORPORATED AND SHOULD NOT BE USED WITHOUT WRITTEN PERMISSION.											

