



Chipsmall Limited consists of a professional team with an average of over 10 year of expertise in the distribution of electronic components. Based in Hongkong, we have already established firm and mutual-benefit business relationships with customers from,Europe,America and south Asia,supplying obsolete and hard-to-find components to meet their specific needs.

With the principle of "Quality Parts,Customers Priority,Honest Operation,and Considerate Service",our business mainly focus on the distribution of electronic components. Line cards we deal with include Microchip,ALPS,ROHM,Xilinx,Pulse,ON,Everlight and Freescale. Main products comprise IC,Modules,Potentiometer,IC Socket,Relay,Connector.Our parts cover such applications as commercial,industrial, and automotives areas.

We are looking forward to setting up business relationship with you and hope to provide you with the best service and solution. Let us make a better world for our industry!



Contact us

Tel: +86-755-8981 8866 Fax: +86-755-8427 6832

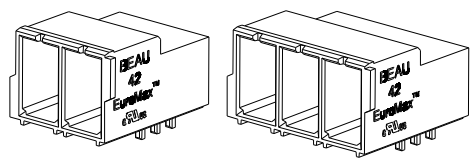
Email & Skype: info@chipsmall.com Web: www.chipsmall.com

Address: A1208, Overseas Decoration Building, #122 Zhenhua RD., Futian, Shenzhen, China

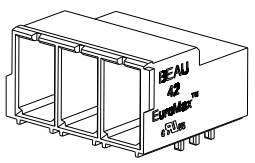


LENGTH TABLE

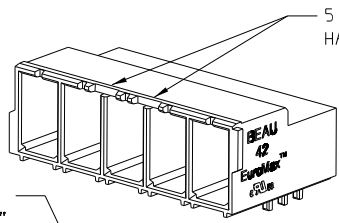
MATERIAL NO.	NO. CIRCUITS	"B"	"A"
394250002	02	12.0 (.472)	28.2 (1.11)
394250003	03	24.0 (.945)	40.2 (1.58)
394250004	04	36.0 (1.417)	52.2 (2.06)
394250005	05	48.0 (1.890)	64.2 (2.53)
394250006	06	60.0 (2.362)	76.2 (3.00)
394250007	07	72.0 (2.835)	88.2 (3.47)
394250008	08	84.0 (3.307)	100.2 (3.95)
394250009	09	96.0 (3.780)	112.2 (4.42)
394250010	10	108.0 (4.252)	124.2 (4.89)



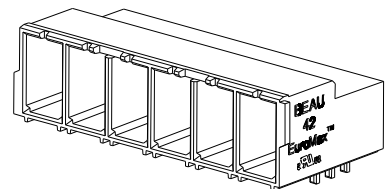
2 AND 3 CIRCUIT HEADERS HAVE NO "PRY SLOTS"



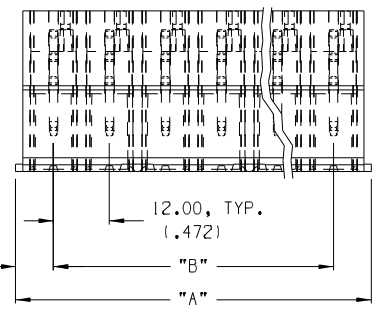
4 CIRCUIT HEADER HAS ONLY ONE "PRY SLOT"



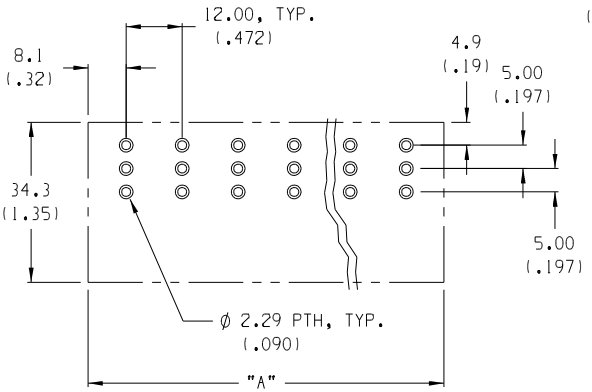
5 THRU 10 CIRCUIT HEADERS HAVE TWO "PRY SLOTS"



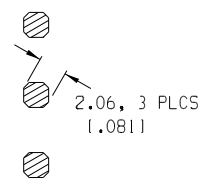
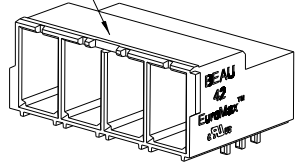
E



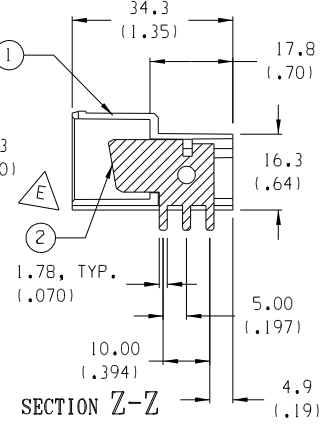
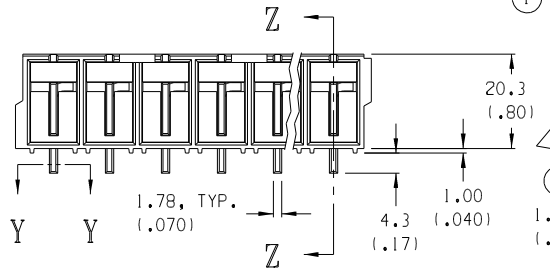
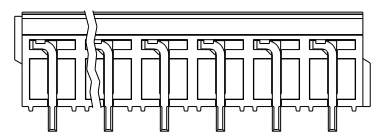
RECOMMENDED PTH PATTERN



- NOTES:
1. MATERIAL: SEE TABLE
 2. FINISHES: SEE TABLE
 3. PRODUCT SPECIFICATION: SEE PPS.42.001
 4. PACKAGING: NOT REQUIRED
 5. MATES WITH: 3942100XX PLUG
 6. XX EQUALS NUMBER OF CIRCUITS



SECTION Y-Y SCALE 3:1



SECTION Z-Z

2	XX	BLADE CONTACT	COPPER	TIN
1	1	MOLDING, HEADER	PBT	BLACK
ITEM	QTY.	DESCRIPTION	MATERIAL	FINISH

EC NO. 11610	DRWNS: RK 12-1-04	QUALITY SYMBOLS
CH*K	APPR:	MAJOR
REV	DESCRIPTION	CRITICAL
		SPC
		S

GENERAL TOLERANCES: (UNLESS SPECIFIED)		SCALE 1:1	DESIGN UNITS
		<input type="checkbox"/> mm	<input checked="" type="checkbox"/> INCH
4 PLACES	±.0015	DRAWN BY & DATE	
3 PLACES	±.038 ±.005	GHR 5-14-2003	
2 PLACES	±.13 ±.01	CHECKED BY & DATE	
1 PLACE	±.3	R. KEMP 8-8-03	
ANGULAR: ±2°		APPROVED BY & DATE	
DRAFT WHERE APPLICABLE MUST REMAIN WITHIN DIMENSIONS		G.ROBERTSON 8-8-03	
		CAD FILENAME	MATERIAL NO.
		4219XX	SEE CHART

<input checked="" type="checkbox"/> THIRD ANGLE PROJECTION	TITLE:
	HEADER, 12MM, 85A, 600V,
MOLEX INCORPORATED	
DRAWING NO.	SHEET NO.
SD-39425-001	1 OF 1

PROJECT NO. 03-65		SHT	REV
DIMENSIONS:			
<input checked="" type="checkbox"/> mm	<input type="checkbox"/> INCH	<input type="checkbox"/> mm	<input type="checkbox"/> ONLY
REVISE ON CAD ONLY			
THIS DRAWING CONTAINS INFORMATION THAT IS PROPRIETARY TO MOLEX INCORPORATED AND SHOULD NOT BE USED WITHOUT WRITTEN PERMISSION.			
SIZE		B	

A