



Chipsmall Limited consists of a professional team with an average of over 10 year of expertise in the distribution of electronic components. Based in Hongkong, we have already established firm and mutual-benefit business relationships with customers from,Europe,America and south Asia,supplying obsolete and hard-to-find components to meet their specific needs.

With the principle of “Quality Parts,Customers Priority,Honest Operation,and Considerate Service”,our business mainly focus on the distribution of electronic components. Line cards we deal with include Microchip,ALPS,ROHM,Xilinx,Pulse,ON,Everlight and Freescale. Main products comprise IC,Modules,Potentiometer,IC Socket,Relay,Connector.Our parts cover such applications as commercial,industrial, and automotives areas.

We are looking forward to setting up business relationship with you and hope to provide you with the best service and solution. Let us make a better world for our industry!



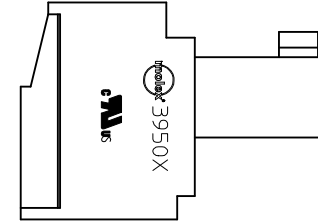
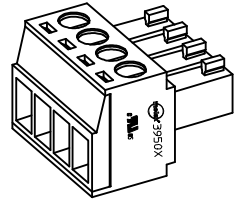
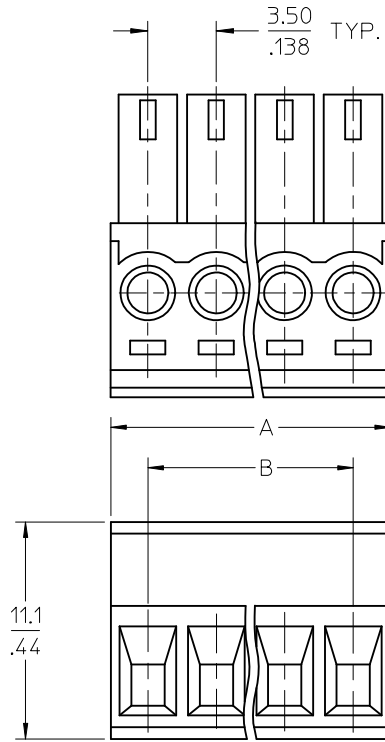
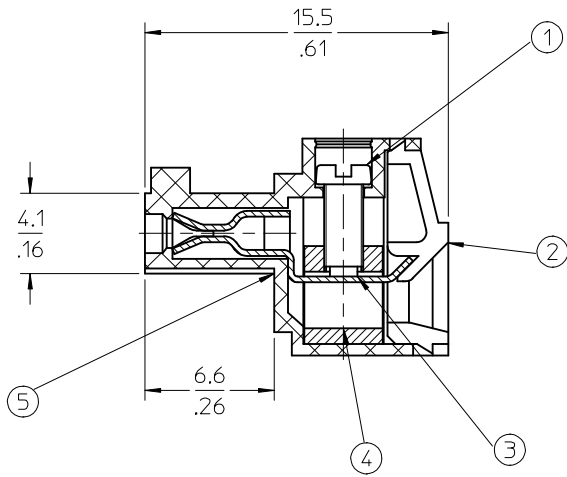
Contact us

Tel: +86-755-8981 8866 Fax: +86-755-8427 6832

Email & Skype: info@chipsmall.com Web: www.chipsmall.com

Address: A1208, Overseas Decoration Building, #122 Zhenhua RD., Futian, Shenzhen, China





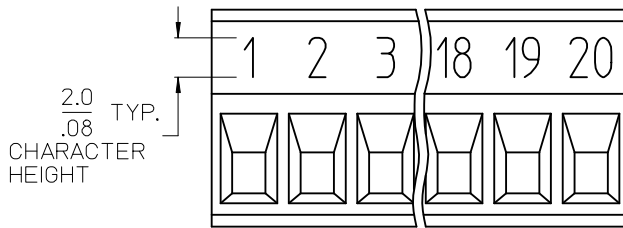
SPECIFICATIONS:

- 1. MATERIAL:
 - (1). SCREW: STEEL.
 - (2). BODY: NYLON 66 (PA 66).
 - (3). TERMINAL: PHOSPHOR BRONZE
 - (4). CAGE (*): BRASS
 - (5). COVER: NYLON 66 (PA 66).
 - 2. PRODUCT SPECIFICATION: PS-39500-001.
 - 3. WIRE RANGE: 30 - 16AWG.
 - 4. TORQUE: 2 in-lbs.
 - 5. WIRE STRIP LENGTH: 6.50/.256.
 - 6. NUMBER OF CIRCUIT POSITIONS AVAILABLE = 2 THROUGH 20.
 - 7. ASSEMBLY IS ROHS COMPLIANT BY EXEMPTION.
- COMPONENTS MARKED WITH AN ASTERISK (*) ARE ROHS COMPLIANT BY EXEMPTION, ALL OTHERS ARE ROHS COMPLIANT.

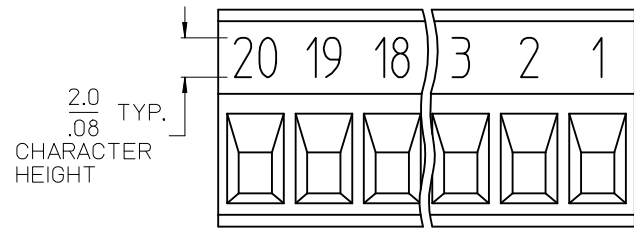
TOLERANCES			
MM	TOL	INCH	TOL
0-6	±0.25	0-.24	±.010
>6-30	±0.40	.24-1.18	±.016
>30-120	±0.50	1.18-4.76	±.020
>120	±0.80	>4.76	±.031

REVISED DOC. TOL EC NO: IFC2017-0881 DRAWN BY: VASUTHKARP 2017/03/22 CHKD: APPR: BRUPERT 2017/04/18 REV: C2	QUALITY SYMBOLS ▼=0 ▽=0	GENERAL TOLERANCES (UNLESS SPECIFIED) mm INCH 4 PLACES ±--- ±--- 3 PLACES ±--- ±--- 2 PLACES ±--- ±--- 1 PLACE ±--- ±--- ANGULAR ±---°	DIMENSION STYLE MM/IN DRAWN BY DATE LROTHAUS 12/06/05 CHECKED BY DATE C. YORK 01/06/06 APPROVED BY DATE J. PAWLICKI 01/10/06 MATERIAL NO.	SCALE DESIGN UNITS INCH THIRD ANGLE PROJECTION	TITLE 3.50MM, EURO TERM BLOCK RIGHT ANGLE, PLUG MOLEX INCORPORATED DOCUMENT NO. SD-39500-001 SHEET NO. 1 OF 2
	DRAFT WHERE APPLICABLE MUST REMAIN WITHIN DIMENSIONS		SEE SHEET 2		THIS DRAWING CONTAINS INFORMATION THAT IS PROPRIETARY TO MOLEX INCORPORATED AND SHOULD NOT BE USED WITHOUT WRITTEN PERMISSION

Circuit size	Material Numbers												Dimensional Information			
	Black						Green						Dim. A		Dim. D	
	100% Tin			30 u" Gold			100% Tin			30 u" Gold			mm	inch	mm	inch
	Printing Options			Printing Options			Printing Options			Printing Options						
None	10A	11A	None	10A	11A	None	10A	11A	None	10A	11A					
2	39500002	395000102	395000202	395000602	395000702	395005002	395005102	395005202	395005502	395005602	395005702	7.80	0.307	3.50	0.138	
3	395000003	395000103	395000203	395000603	395000703	395005003	395005103	395005203	395005503	395005603	395005703	11.30	0.445	7.00	0.276	
4	395000004	395000104	395000204	395000604	395000704	395005004	395005104	395005204	395005504	395005604	395005704	14.80	0.583	10.50	0.413	
5	395000005	395000105	395000205	395000605	395000705	395005005	395005105	395005205	395005505	395005605	395005705	18.30	0.720	14.00	0.551	
6	395000006	395000106	395000206	395000606	395000706	395005006	395005106	395005206	395005506	395005606	395005706	21.80	0.858	17.50	0.698	
7	395000007	395000107	395000207	395000607	395000707	395005007	395005107	395005207	395005507	395005607	395005707	25.30	0.996	21.00	0.827	
8	395000008	395000108	395000208	395000608	395000708	395005008	395005108	395005208	395005508	395005608	395005708	28.80	1.134	24.50	0.965	
9	395000009	395000109	395000209	395000609	395000709	395005009	395005109	395005209	395005509	395005609	395005709	32.30	1.272	28.00	1.102	
10	395000010	395000110	395000210	395000610	395000710	395005010	395005110	395005210	395005510	395005610	395005710	35.80	1.409	31.50	1.240	
11	395000011	395000111	395000211	395000611	395000711	395005011	395005111	395005211	395005511	395005611	395005711	39.30	1.547	35.00	1.378	
12	395000012	395000112	395000212	395000612	395000712	395005012	395005112	395005212	395005512	395005612	395005712	42.80	1.685	38.50	1.516	
13	395000013	395000113	395000213	395000613	395000713	395005013	395005113	395005213	395005513	395005613	395005713	46.30	1.823	42.00	1.654	
14	395000014	395000114	395000214	395000614	395000714	395005014	395005114	395005214	395005514	395005614	395005714	49.80	1.961	45.50	1.791	
15	395000015	395000115	395000215	395000615	395000715	395005015	395005115	395005215	395005515	395005615	395005715	53.30	2.098	49.00	1.929	
16	395000016	395000116	395000216	395000616	395000716	395005016	395005116	395005216	395005516	395005616	395005716	56.80	2.236	52.50	2.067	
17	395000017	395000117	395000217	395000617	395000717	395005017	395005117	395005217	395005517	395005617	395005717	60.30	2.374	56.00	2.205	
18	395000018	395000118	395000218	395000618	395000718	395005018	395005118	395005218	395005518	395005618	395005718	63.80	2.512	59.50	2.343	
19	395000019	395000119	395000219	395000619	395000719	395005019	395005119	395005219	395005519	395005619	395005719	67.30	2.650	63.00	2.480	
20	395000020	395000120	395000220	395000620	395000720	395005020	395005120	395005220	395005520	395005620	395005720	70.80	2.787	66.50	2.618	



10A IMPRINTING



11A IMPRINTING

TOLERANCES			
MM	TOL	INCH	TOL
0-6	±0.25	0-.24	±.010
>6-30	±0.40	.24-1.18	±.016
>30-120	±0.50	1.18-4.76	±.020
>120	±0.80	>4.76	±.031

REVISED DOC TOL
EC NO: IFC2017-0861
DRAWN: VASUTHKARP 2017/03/22
CHKD:
APPR: BRUPERT 2017/04/18

QUALITY SYMBOLS
▽=0
▽=0

GENERAL TOLERANCES (UNLESS SPECIFIED)

	mm	INCH
4 PLACES	±---	±---
3 PLACES	±---	±---
2 PLACES	±---	±---
1 PLACE	±---	±---
ANGULAR ±---		

DRAFT WHERE APPLICABLE
MUST REMAIN
WITHIN DIMENSIONS

DIMENSION STYLE
MM/IN

DRAWN BY DATE
LROTHAUS 12/6/05

CHECKED BY DATE
C. YORK 01/06/06

APPROVED BY DATE
J. PAWLICKI 01/10/06

MATERIAL NO.

SCALE DESIGN UNITS
INCH

THIRD ANGLE PROJECTION

TITLE
3.50MM, EURO TERM. BLOCK
RIGHT ANGLE, PLUG

moLEX MOLEX INCORPORATED

DOCUMENT NO. SD-39500-001 SHEET NO. 2 OF 2

THIS DRAWING CONTAINS INFORMATION THAT IS PROPRIETARY TO MOLEX INCORPORATED AND SHOULD NOT BE USED WITHOUT WRITTEN PERMISSION