



Chipsmall Limited consists of a professional team with an average of over 10 year of expertise in the distribution of electronic components. Based in Hongkong, we have already established firm and mutual-benefit business relationships with customers from,Europe,America and south Asia,supplying obsolete and hard-to-find components to meet their specific needs.

With the principle of “Quality Parts,Customers Priority,Honest Operation,and Considerate Service”,our business mainly focus on the distribution of electronic components. Line cards we deal with include Microchip,ALPS,ROHM,Xilinx,Pulse,ON,Everlight and Freescale. Main products comprise IC,Modules,Potentiometer,IC Socket,Relay,Connector.Our parts cover such applications as commercial,industrial, and automotives areas.

We are looking forward to setting up business relationship with you and hope to provide you with the best service and solution. Let us make a better world for our industry!



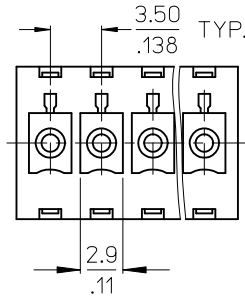
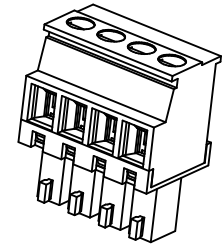
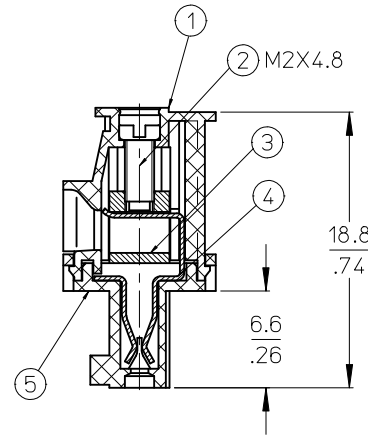
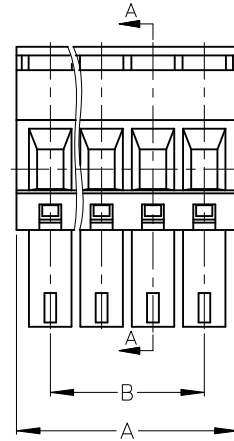
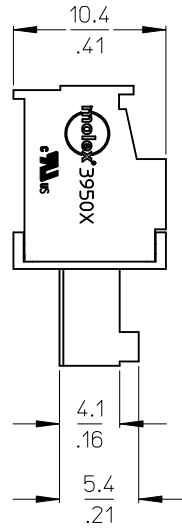
Contact us

Tel: +86-755-8981 8866 Fax: +86-755-8427 6832

Email & Skype: info@chipsmall.com Web: www.chipsmall.com

Address: A1208, Overseas Decoration Building, #122 Zhenhua RD., Futian, Shenzhen, China





SPECIFICATIONS:

1. MATERIAL:

- (1). BODY: NYLON 66 (PA 66).
- (2). SCREW: STEEL.
- (3). CAGE (*): BRASS
- (4). TERMINAL: PHOSPHOR BRONZE (C)
- (5). COVER: NYLON 66 (PA 66).

(C) 2. PRODUCT SPECIFICATION: PS-39500-001.

- 3. WIRE RANGE: 30 - 16AWG.
- 4. TORQUE: 2 in-lbs.
- 5. WIRE STRIP LENGTH: 6.50/.256.
- 6. NUMBER OF CIRCUIT POSITIONS AVAILABLE = 2 THROUGH 20.

(C) 7. ASSEMBLY IS ROHS COMPLIANT BY EXEMPTION. COMPONENTS MARKED WITH AN ASTERISK (*) ARE ROHS COMPLIANT BY EXEMPTION, ALL OTHERS ARE ROHS COMPLIANT.

FIX TYPO-TERM MATERIAL EC NO: WNA2010-0708 DRW: NCLYORK 2010/06/28 CHKD: DTITUS 2006/03/17 APPR: DTITUS 2010/07/09	QUALITY SYMBOLS ▽=0 ▽=0	GENERAL TOLERANCES (UNLESS SPECIFIED)		DIMENSION STYLE MM/IN		SCALE 3:1	DESIGN UNITS INCH	THIRD ANGLE PROJECTION			
		4 PLACES ± --- ± ---	3 PLACES ± --- ± .005	DRAWN BY C. YORK	DATE 2006/03/17	TITLE 3.50MM, EURO PLUG, VERTICAL, FRONT WIRE ENTRY					
		2 PLACES ± 0.13 ± .01	1 PLACE ± 0.3 ± ---	CHECKED BY R. DEROSS	DATE 2006/03/17						
		ANGULAR ± 2 °		APPROVED BY R. DEROSS		DATE 2006/03/17	MOLEX INCORPORATED				
DRAFT WHERE APPLICABLE MUST REMAIN WITHIN DIMENSIONS		MATERIAL NO. SEE SHT. 2		DOCUMENT NO. SD-39503-001			SHEET NO. 1 OF 2				

Circuit size	Material Numbers												Dimensional Information			
	Black						Green									
	100% Tin			30 u" Gold			100% Tin			30 u" Gold			Dim. A		Dim B	
	Printing Options			Printing Options			Printing Options			Printing Options			mm	inch	mm	inch
	None	10AV	11AV	None	10AV	11AV	None	10AV	11AV	None	10AV	11AV	mm	inch	mm	inch
2	395033002	395033302	395033402	395033502	395033802	395033902	395038002	395038302	395038402	395038502	395038802	395038902	8.1	0.32	3.5	0.14
3	395033003	395033303	395033403	395033503	395033803	395033903	395038003	395038303	395038403	395038503	395038803	395038903	11.6	0.46	7.0	0.28
4	395033004	395033304	395033404	395033504	395033804	395033904	395038004	395038304	395038404	395038504	395038804	395038904	15.1	0.59	10.5	0.41
5	395033005	395033305	395033405	395033505	395033805	395033905	395038005	395038305	395038405	395038505	395038805	395038905	18.6	0.73	14.0	0.55
6	395033006	395033306	395033406	395033506	395033806	395033906	395038006	395038306	395038406	395038506	395038806	395038906	22.1	0.87	17.5	0.69
7	395033007	395033307	395033407	395033507	395033807	395033907	395038007	395038307	395038407	395038507	395038807	395038907	25.6	1.01	21.0	0.83
8	395033008	395033308	395033408	395033508	395033808	395033908	395038008	395038308	395038408	395038508	395038808	395038908	29.1	1.15	24.5	0.97
9	395033009	395033309	395033409	395033509	395033809	395033909	395038009	395038309	395038409	395038509	395038809	395038909	32.6	1.28	28.0	1.10
10	395033010	395033310	395033410	395033510	395033810	395033910	395038010	395038310	395038410	395038510	395038810	395038910	36.1	1.42	31.5	1.24
11	395033011	395033311	395033411	395033511	395033811	395033911	395038011	395038311	395038411	395038511	395038811	395038911	39.6	1.56	35.0	1.38
12	395033012	395033312	395033412	395033512	395033812	395033912	395038012	395038312	395038412	395038512	395038812	395038912	43.1	1.70	38.5	1.52
13	395033013	395033313	395033413	395033513	395033813	395033913	395038013	395038313	395038413	395038513	395038813	395038913	46.6	1.84	42.0	1.65
14	395033014	395033314	395033414	395033514	395033814	395033914	395038014	395038314	395038414	395038514	395038814	395038914	50.1	1.97	45.5	1.79
15	395033015	395033315	395033415	395033515	395033815	395033915	395038015	395038315	395038415	395038515	395038815	395038915	53.6	2.11	49.0	1.93
16	395033016	395033316	395033416	395033516	395033816	395033916	395038016	395038316	395038416	395038516	395038816	395038916	57.1	2.25	52.5	2.07
17	395033017	395033317	395033417	395033517	395033817	395033917	395038017	395038317	395038417	395038517	395038817	395038917	60.6	2.39	56.0	2.21
18	395033018	395033318	395033418	395033518	395033818	395033918	395038018	395038318	395038418	395038518	395038818	395038918	64.1	2.52	59.5	2.34
19	395033019	395033319	395033419	395033519	395033819	395033919	395038019	395038319	395038419	395038519	395038819	395038919	67.6	2.66	63.0	2.48
20	395033020	395033320	395033420	395033520	395033820	395033920	395038020	395038320	395038420	395038520	395038820	395038920	71.1	2.80	66.5	2.62

SEE SHEET 1 EC NO: WNA2010-0708 DRAWN BY: CLYORK 2010/06/28 CHKD: DTITUS 2006/03/17 APPR: DTITUS 2010/07/09	QUALITY SYMBOLS ▽=0 ▽=0	GENERAL TOLERANCES (UNLESS SPECIFIED) mm INCH 4 PLACES ± --- ± --- 3 PLACES ± --- ± .005 2 PLACES ± 0.13 ± .01 1 PLACE ± 0.3 ± --- ANGULAR ± 2 °	DIMENSION STYLE MM/IN DRAWN BY DATE C. YORK 2006/03/17 CHECKED BY DATE R. DEROSS 2006/03/17 APPROVED BY DATE R. DEROSS 2006/03/17	SCALE 3:1 DESIGN UNITS INCH THIRD ANGLE PROJECTION
	DRAFT WHERE APPLICABLE MUST REMAIN WITHIN DIMENSIONS		MATERIAL NO. SEE CHART	TITLE 3.50MM, EURO PLUG, VERTICAL, FRONT WIRE ENTRY MOLEX INCORPORATED
			DOCUMENT NO. SD-39503-001	SHEET NO. 2 OF 2
	THIS DRAWING CONTAINS INFORMATION THAT IS PROPRIETARY TO MOLEX INCORPORATED AND SHOULD NOT BE USED WITHOUT WRITTEN PERMISSION			