



Chipsmall Limited consists of a professional team with an average of over 10 year of expertise in the distribution of electronic components. Based in Hongkong, we have already established firm and mutual-benefit business relationships with customers from,Europe,America and south Asia,supplying obsolete and hard-to-find components to meet their specific needs.

With the principle of “Quality Parts,Customers Priority,Honest Operation,and Considerate Service”,our business mainly focus on the distribution of electronic components. Line cards we deal with include Microchip,ALPS,ROHM,Xilinx,Pulse,ON,Everlight and Freescale. Main products comprise IC,Modules,Potentiometer,IC Socket,Relay,Connector.Our parts cover such applications as commercial,industrial, and automotives areas.

We are looking forward to setting up business relationship with you and hope to provide you with the best service and solution. Let us make a better world for our industry!



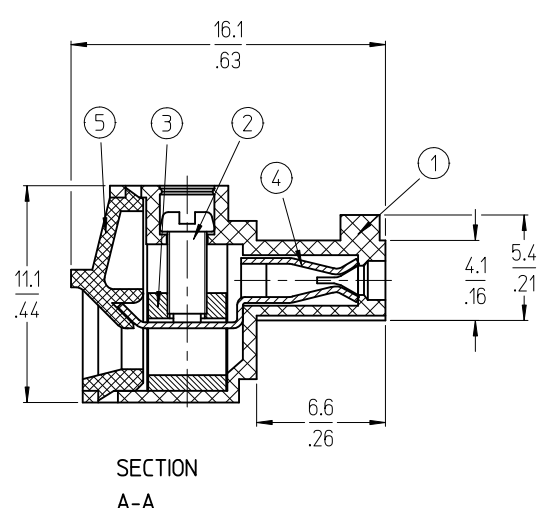
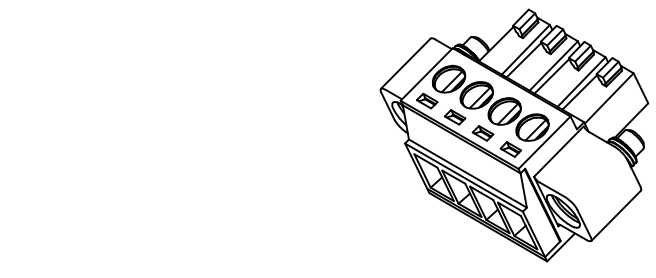
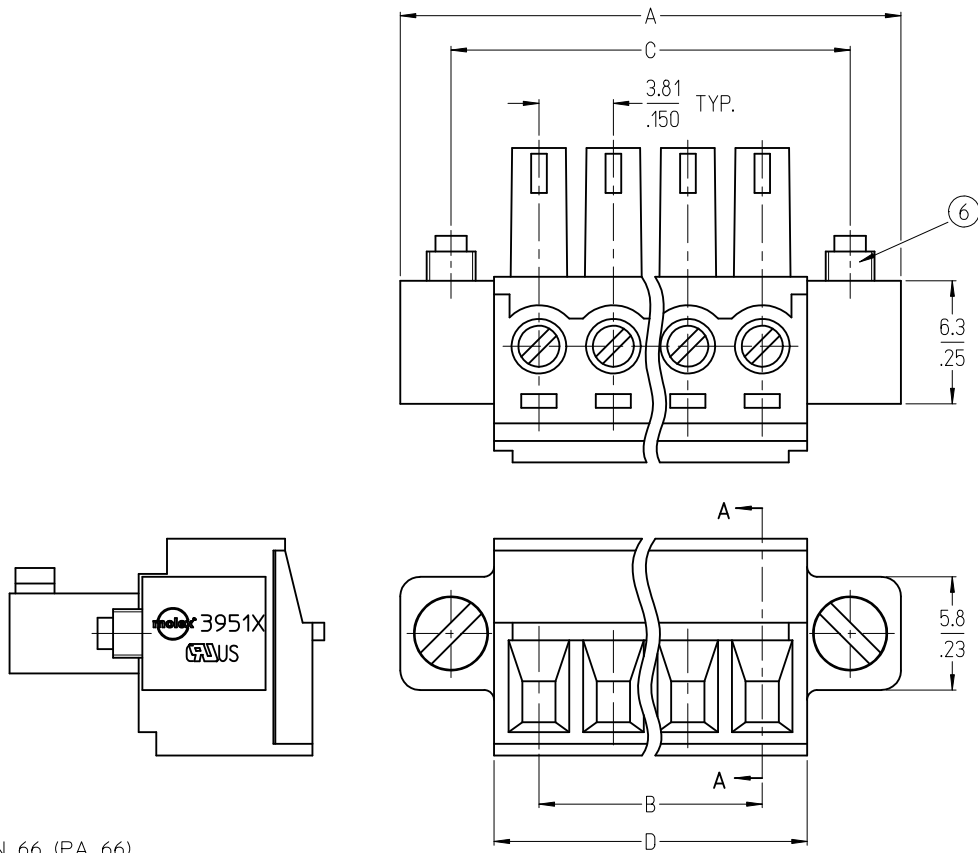
Contact us

Tel: +86-755-8981 8866 Fax: +86-755-8427 6832

Email & Skype: info@chipsmall.com Web: www.chipsmall.com

Address: A1208, Overseas Decoration Building, #122 Zhenhua RD., Futian, Shenzhen, China





SPECIFICATIONS:

1. MATERIAL:

- (1). BODY: NYLON 66 (PA 66)
- (2). SCREW: STEEL.
- (3). CAGE (*): BRASS
- (4). TERMINAL: PHOSPHOR BRONZE D
- (5). COVER: NYLON 66 (PA 66)
- (6). SCREW: STEEL.

2. PRODUCT SPECIFICATION: PS-39500-001.

3. WIRE RANGE: 30 - 16AWG.

4. TORQUE: 2 in-lbs.

5. WIRE STRIP LENGTH: 6.50/.256.

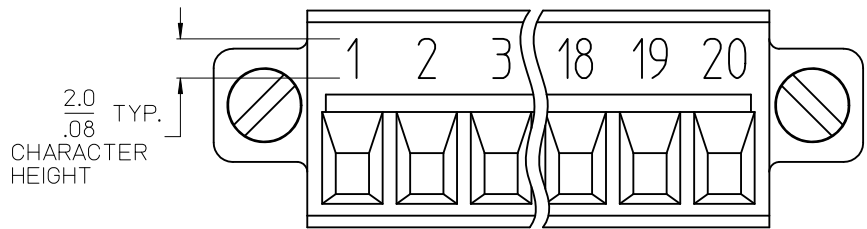
6. NUMBER OF CIRCUIT POSITIONS AVAILABLE = 2 THROUGH 20.

7. ASSEMBLY IS ROHS COMPLIANT BY EXEMPTION.

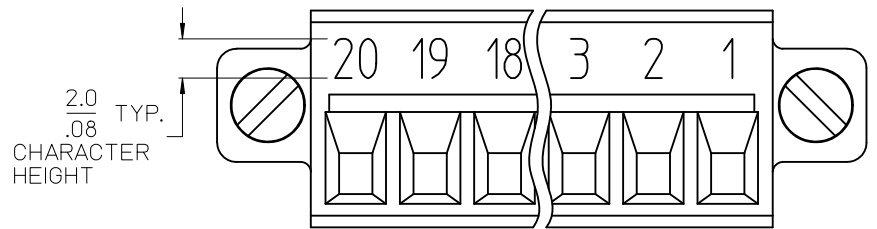
COMPONENTS MARKED WITH AN ASTERISK (*) ARE ROHS COMPLIANT BY EXEMPTION, ALL OTHERS ARE ROHS COMPLIANT.

FIX TYPO-TERM MATERIAL EC NO: WNA2010-0708 DRW:KLYORK 2010/06/29 CHKD:DTITUS 2006/03/20 APPR:DTITUS 2010/07/09 REV D	QUALITY SYMBOLS	GENERAL TOLERANCES (UNLESS SPECIFIED)		DIMENSION STYLE MM/IN		SCALE 4:1	DESIGN UNITS INCH	THIRD ANGLE PROJECTION	
	▼=0 ∇=0	mm	INCH	DRAWN BY EHILE	DATE 2006/03/20	TITLE 3.81MM, EURO PLUG, RIGHT ANGLE, MTG ENDS			
		4 PLACES ± --- ± ---	3 PLACES ± --- ± .005	CHECKED BY EHILE	DATE 2006/03/20				
		2 PLACES ± 0.13 ± .01	1 PLACE ± 0.3 ± ---	APPROVED BY RDEROSS	DATE 2006/03/20	MOLEX INCORPORATED DOCUMENT NO. SD-39514-001 SHEET NO. 1 OF 2			
	ANGULAR ± 2 °		MATERIAL NO. SEE CHART						
DRAFT WHERE APPLICABLE MUST REMAIN WITHIN DIMENSIONS			SIZE B		THIS DRAWING CONTAINS INFORMATION THAT IS PROPRIETARY TO MOLEX INCORPORATED AND SHOULD NOT BE USED WITHOUT WRITTEN PERMISSION				

Circuit size	Material Numbers												Dimensional Information									
	Black						Green						Dim A				Dim B		Dim C		Dim D	
	100% Tin			30 u" Gold			100% Tin			30 u" Gold			mm		inch		mm		inch			
	Printing Options			Printing Options			Printing Options			Printing Options												
	None	10A	11A	None	10A	11A	None	10A	11A	None	10A	11A	mm	inch	mm	inch	mm	inch	mm	inch		
2	395140002	395140102	395140202	395140502	395140602	395140702	395145002	395145102	395145202	395145502	395145602	395145702	18.0	.71	3.8	.15	12.8	.50	8.4	.33		
3	395140003	395140103	395140203	395140503	395140603	395140703	395145003	395145103	395145203	395145503	395145603	395145703	21.8	.86	7.6	.30	16.6	.65	12.2	.48		
4	395140004	395140104	395140204	395140504	395140604	395140704	395145004	395145104	395145204	395145504	395145604	395145704	25.6	1.01	11.4	.45	20.4	.80	16.0	.63		
5	395140005	395140105	395140205	395140505	395140605	395140705	395145005	395145105	395145205	395145505	395145605	395145705	29.4	1.16	15.2	.60	24.2	.95	19.8	.78		
6	395140006	395140106	395140206	395140506	395140606	395140706	395145006	395145106	395145206	395145506	395145606	395145706	33.3	1.31	19.1	.75	28.1	1.10	23.7	.93		
7	395140007	395140107	395140207	395140507	395140607	395140707	395145007	395145107	395145207	395145507	395145607	395145707	37.1	1.46	22.9	.90	31.9	1.25	27.5	1.08		
8	395140008	395140108	395140208	395140508	395140608	395140708	395145008	395145108	395145208	395145508	395145608	395145708	40.9	1.61	26.7	1.05	35.7	1.40	31.3	1.23		
9	395140009	395140109	395140209	395140509	395140609	395140709	395145009	395145109	395145209	395145509	395145609	395145709	44.7	1.76	30.5	1.20	39.5	1.55	35.1	1.38		
10	395140010	395140110	395140210	395140510	395140610	395140710	395145010	395145110	395145210	395145510	395145610	395145710	48.5	1.91	34.3	1.35	43.3	1.70	38.9	1.53		
11	395140011	395140111	395140211	395140511	395140611	395140711	395145011	395145111	395145211	395145511	395145611	395145711	52.3	2.06	38.1	1.50	47.1	1.85	42.7	1.68		
12	395140012	395140112	395140212	395140512	395140612	395140712	395145012	395145112	395145212	395145512	395145612	395145712	56.1	2.21	41.9	1.65	50.9	2.00	46.5	1.83		
13	395140013	395140113	395140213	395140513	395140613	395140713	395145013	395145113	395145213	395145513	395145613	395145713	59.9	2.36	45.7	1.80	54.7	2.15	50.3	1.98		
14	395140014	395140114	395140214	395140514	395140614	395140714	395145014	395145114	395145214	395145514	395145614	395145714	63.7	2.51	49.5	1.95	58.5	2.30	54.1	2.13		
15	395140015	395140115	395140215	395140515	395140615	395140715	395145015	395145115	395145215	395145515	395145615	395145715	67.5	2.66	53.3	2.10	62.3	2.45	57.9	2.28		
16	395140016	395140116	395140216	395140516	395140616	395140716	395145016	395145116	395145216	395145516	395145616	395145716	71.4	2.81	57.2	2.25	66.2	2.60	61.8	2.43		
17	395140017	395140117	395140217	395140517	395140617	395140717	395145017	395145117	395145217	395145517	395145617	395145717	75.2	2.96	61.0	2.40	70.0	2.75	65.6	2.58		
18	395140018	395140118	395140218	395140518	395140618	395140718	395145018	395145118	395145218	395145518	395145618	395145718	79.0	3.11	64.8	2.55	73.8	2.90	69.4	2.73		
19	395140019	395140119	395140219	395140519	395140619	395140719	395145019	395145119	395145219	395145519	395145619	395145719	82.8	3.26	68.6	2.70	77.6	3.05	73.2	2.88		
20	395140020	395140120	395140220	395140520	395140620	395140720	395145020	395145120	395145220	395145520	395145620	395145720	86.6	3.41	72.4	2.85	81.4	3.20	77.0	3.03		



10A IMPRINTING



11A IMPRINTING

SEE SHEET ONE EC NO: WNA2010-0708 D/DRM/ACL/YORK 2010/06/29 CHK/D/DT/ITUS 2006/03/20 APPR:DT/ITUS 2010/07/09 REV DESCRIPTION	QUALITY SYMBOLS	GENERAL TOLERANCES (UNLESS SPECIFIED)	DIMENSION STYLE	SCALE	DESIGN UNITS	THIRD ANGLE PROJECTION	
	$\nabla=0$ $\nabla E=0$	mm INCH 4 PLACES \pm --- \pm --- 3 PLACES \pm --- \pm .005 2 PLACES \pm 0.13 \pm .01 1 PLACE \pm 0.3 \pm --- ANGULAR \pm 2 °	MM/IN	4:1	INCH	DRAWN BY DATE EHILE 2006/03/20 CHECKED BY DATE EHILE 2006/03/20 APPROVED BY DATE RDEROSS 2006/03/20	TITLE 3.81MM, EURO PLUG, RIGHT ANGLE, MTG ENDS
	DRAFT WHERE APPLICABLE MUST REMAIN WITHIN DIMENSIONS	SEE CHART	MATERIAL NO.	DOCUMENT NO.	MOLEX INCORPORATED		SHEET NO.
					SD-39514-001		2 OF 2

THIS DRAWING CONTAINS INFORMATION THAT IS PROPRIETARY TO MOLEX INCORPORATED AND SHOULD NOT BE USED WITHOUT WRITTEN PERMISSION