



Chipsmall Limited consists of a professional team with an average of over 10 year of expertise in the distribution of electronic components. Based in Hongkong, we have already established firm and mutual-benefit business relationships with customers from,Europe,America and south Asia,supplying obsolete and hard-to-find components to meet their specific needs.

With the principle of “Quality Parts,Customers Priority,Honest Operation,and Considerate Service”,our business mainly focus on the distribution of electronic components. Line cards we deal with include Microchip,ALPS,ROHM,Xilinx,Pulse,ON,Everlight and Freescale. Main products comprise IC,Modules,Potentiometer,IC Socket,Relay,Connector.Our parts cover such applications as commercial,industrial, and automotives areas.

We are looking forward to setting up business relationship with you and hope to provide you with the best service and solution. Let us make a better world for our industry!



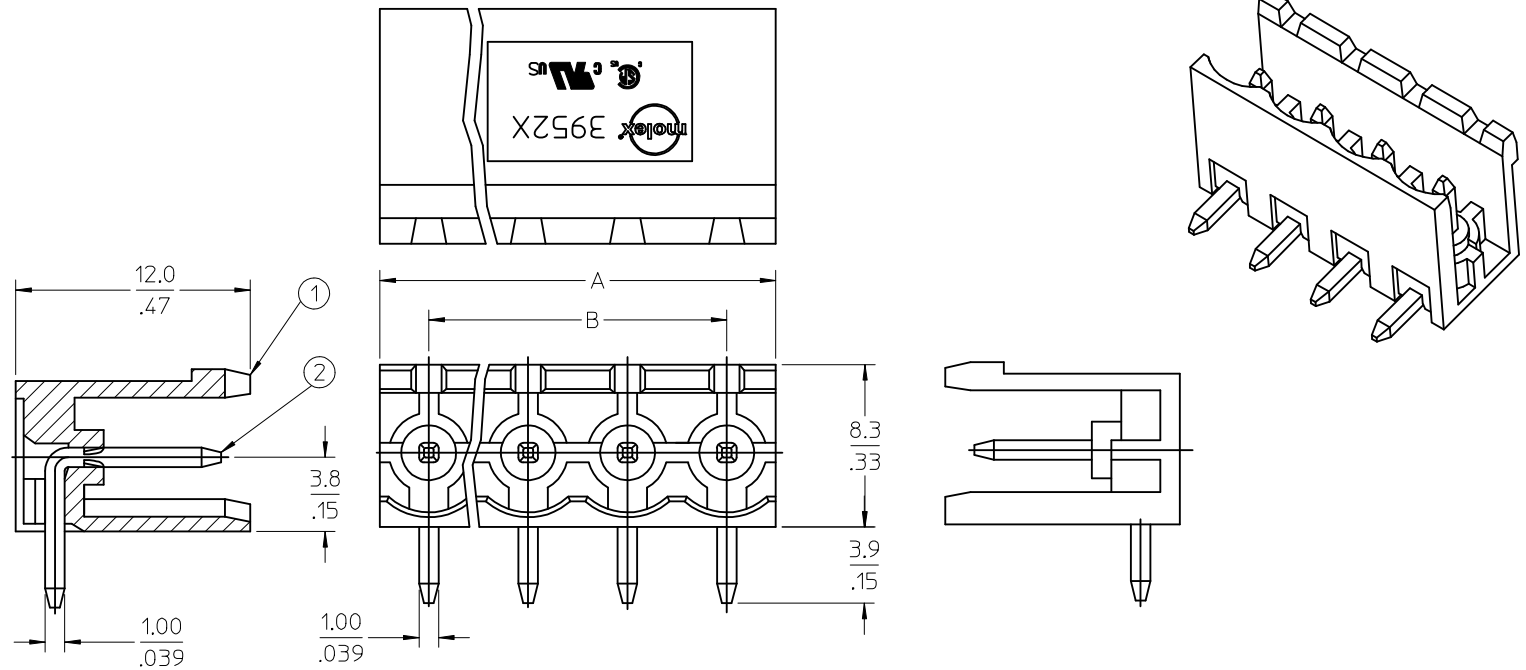
Contact us

Tel: +86-755-8981 8866 Fax: +86-755-8427 6832

Email & Skype: info@chipsmall.com Web: www.chipsmall.com

Address: A1208, Overseas Decoration Building, #122 Zhenhua RD., Futian, Shenzhen, China





SPECIFICATIONS:

1. Material:
 - (1). Body: PA66
 - (2). Pin: Brass
2. Wire range: N/A
3. Electrical rating: 300V, 15A.
4. Wire strip length: N/A
5. Operating temperature: -40C to +105C.
6. Max torque: N/A
7. Insulation resistance: DC 500V, 500M.
8. Dielectric withstand: AC 2500V for 1 minute.
9. Breakdown voltage: 4000V.
10. $A = (N \times P)$
11. $B = (N - 1) \times P$
12. P (PITCH) = 5.0mm (.197").
13. N = Number of positions available 2 through 24.

| TOLERANCES | | | |
|------------|-------|-----------|-------|
| MM | TOL | INCH | TOL |
| 0-6 | ±0.25 | 0-.24 | ±.010 |
| >6-30 | ±0.40 | .24-1.18 | ±.016 |
| >30-120 | ±0.50 | 1.18-4.76 | ±.020 |
| >120 | ±0.80 | >4.76 | ±.031 |

| REVISED DOC TOL EC NO: IFC2017-0881 DRW: ANAGATH 2017/03/24 CHKD: APPR: BRUPERT 2017/04/18 A1 | QUALITY SYMBOLS ▽=0 ▽=0 | GENERAL TOLERANCES (UNLESS SPECIFIED) <table border="1"> <thead> <tr> <th></th> <th>mm</th> <th>INCH</th> </tr> </thead> <tbody> <tr> <td>4 PLACES</td> <td>±---</td> <td>±---</td> </tr> <tr> <td>3 PLACES</td> <td>±---</td> <td>±---</td> </tr> <tr> <td>2 PLACES</td> <td>±---</td> <td>±---</td> </tr> <tr> <td>1 PLACE</td> <td>±---</td> <td>±---</td> </tr> </tbody> </table> ANGULAR ±---° | | mm | INCH | 4 PLACES | ±--- | ±--- | 3 PLACES | ±--- | ±--- | 2 PLACES | ±--- | ±--- | 1 PLACE | ±--- | ±--- | DIMENSION STYLE MM/IN | SCALE 4:1 | DESIGN UNITS INCH | THIRD ANGLE PROJECTION |
|--|-------------------------------|--|------------------|---|------------------------------|---------------------|------|------|----------|------|------|----------|------|------|---------|------|------|--------------------------|--------------|----------------------|------------------------|
| | | mm | INCH | | | | | | | | | | | | | | | | | | |
| | 4 PLACES | ±--- | ±--- | | | | | | | | | | | | | | | | | | |
| | 3 PLACES | ±--- | ±--- | | | | | | | | | | | | | | | | | | |
| 2 PLACES | ±--- | ±--- | | | | | | | | | | | | | | | | | | | |
| 1 PLACE | ±--- | ±--- | | | | | | | | | | | | | | | | | | | |
| DRAFT WHERE APPLICABLE MUST REMAIN WITHIN DIMENSIONS | | DRAWN BY LROTHAUS | DATE 12/6/05 | TITLE 5.0MM, EURO HEADER, RIGHT ANGLE, OPEN END | | | | | | | | | | | | | | | | | |
| | | CHECKED BY CYORK | DATE 01/06/06 | Molex MOLEX INCORPORATED | | | | | | | | | | | | | | | | | |
| | | APPROVED BY | DATE | MATERIAL NO. SEE CHART | DOCUMENT NO. SD-39522-003 | SHEET NO. 1 OF 1 | | | | | | | | | | | | | | | |

| Description | Circuit Size | Material Numbers | | | | | | | | | | | | Dimensional Information | | | |
|---|--------------|------------------|-----------|-----------|-----------------|-----------|-----------|-----------------|-----------|-----------|-----------------|-----------|-----------|-------------------------|-------|--------|-------|
| | | Black | | | | | | Green | | | | | | Dim A | | Dim B | |
| | | 100% Tin | | | 50% Gold | | | 100% Tin | | | 50% Gold | | | mm | inch | mm | inch |
| | | Plating Options | | | Plating Options | | | Plating Options | | | Plating Options | | | | | | |
| | None | 10A | 11A | None | 10A | 11A | None | 10A | 11A | None | 10A | 11A | | | | | |
| 5.0mm, Euro Header, Right Angle, Open End | 2 | 395220002 | 395220102 | 395220202 | 395220302 | 395220402 | 395220502 | 395220602 | 395220702 | 395220802 | 395220902 | 395221002 | 395221102 | 10.00 | 0.394 | 5.00 | 0.197 |
| 5.0mm, Euro Header, Right Angle, Open End | 3 | 395220003 | 395220103 | 395220203 | 395220303 | 395220403 | 395220503 | 395220603 | 395220703 | 395220803 | 395220903 | 395221003 | 395221103 | 15.00 | 0.591 | 10.00 | 0.394 |
| 5.0mm, Euro Header, Right Angle, Open End | 4 | 395220004 | 395220104 | 395220204 | 395220304 | 395220404 | 395220504 | 395220604 | 395220704 | 395220804 | 395220904 | 395221004 | 395221104 | 20.00 | 0.787 | 15.00 | 0.591 |
| 5.0mm, Euro Header, Right Angle, Open End | 5 | 395220005 | 395220105 | 395220205 | 395220305 | 395220405 | 395220505 | 395220605 | 395220705 | 395220805 | 395220905 | 395221005 | 395221105 | 25.00 | 0.984 | 20.00 | 0.787 |
| 5.0mm, Euro Header, Right Angle, Open End | 6 | 395220006 | 395220106 | 395220206 | 395220306 | 395220406 | 395220506 | 395220606 | 395220706 | 395220806 | 395220906 | 395221006 | 395221106 | 30.00 | 1.181 | 25.00 | 0.984 |
| 5.0mm, Euro Header, Right Angle, Open End | 7 | 395220007 | 395220107 | 395220207 | 395220307 | 395220407 | 395220507 | 395220607 | 395220707 | 395220807 | 395220907 | 395221007 | 395221107 | 35.00 | 1.378 | 30.00 | 1.181 |
| 5.0mm, Euro Header, Right Angle, Open End | 8 | 395220008 | 395220108 | 395220208 | 395220308 | 395220408 | 395220508 | 395220608 | 395220708 | 395220808 | 395220908 | 395221008 | 395221108 | 40.00 | 1.575 | 35.00 | 1.378 |
| 5.0mm, Euro Header, Right Angle, Open End | 9 | 395220009 | 395220109 | 395220209 | 395220309 | 395220409 | 395220509 | 395220609 | 395220709 | 395220809 | 395220909 | 395221009 | 395221109 | 45.00 | 1.772 | 40.00 | 1.575 |
| 5.0mm, Euro Header, Right Angle, Open End | 10 | 395220010 | 395220110 | 395220210 | 395220310 | 395220410 | 395220510 | 395220610 | 395220710 | 395220810 | 395220910 | 395221010 | 395221110 | 50.00 | 1.969 | 45.00 | 1.772 |
| 5.0mm, Euro Header, Right Angle, Open End | 11 | 395220011 | 395220111 | 395220211 | 395220311 | 395220411 | 395220511 | 395220611 | 395220711 | 395220811 | 395220911 | 395221011 | 395221111 | 55.00 | 2.165 | 50.00 | 1.969 |
| 5.0mm, Euro Header, Right Angle, Open End | 12 | 395220012 | 395220112 | 395220212 | 395220312 | 395220412 | 395220512 | 395220612 | 395220712 | 395220812 | 395220912 | 395221012 | 395221112 | 60.00 | 2.362 | 55.00 | 2.165 |
| 5.0mm, Euro Header, Right Angle, Open End | 13 | 395220013 | 395220113 | 395220213 | 395220313 | 395220413 | 395220513 | 395220613 | 395220713 | 395220813 | 395220913 | 395221013 | 395221113 | 65.00 | 2.559 | 60.00 | 2.362 |
| 5.0mm, Euro Header, Right Angle, Open End | 14 | 395220014 | 395220114 | 395220214 | 395220314 | 395220414 | 395220514 | 395220614 | 395220714 | 395220814 | 395220914 | 395221014 | 395221114 | 70.00 | 2.756 | 65.00 | 2.559 |
| 5.0mm, Euro Header, Right Angle, Open End | 15 | 395220015 | 395220115 | 395220215 | 395220315 | 395220415 | 395220515 | 395220615 | 395220715 | 395220815 | 395220915 | 395221015 | 395221115 | 75.00 | 2.953 | 70.00 | 2.756 |
| 5.0mm, Euro Header, Right Angle, Open End | 16 | 395220016 | 395220116 | 395220216 | 395220316 | 395220416 | 395220516 | 395220616 | 395220716 | 395220816 | 395220916 | 395221016 | 395221116 | 80.00 | 3.150 | 75.00 | 2.953 |
| 5.0mm, Euro Header, Right Angle, Open End | 17 | 395220017 | 395220117 | 395220217 | 395220317 | 395220417 | 395220517 | 395220617 | 395220717 | 395220817 | 395220917 | 395221017 | 395221117 | 85.00 | 3.346 | 80.00 | 3.150 |
| 5.0mm, Euro Header, Right Angle, Open End | 18 | 395220018 | 395220118 | 395220218 | 395220318 | 395220418 | 395220518 | 395220618 | 395220718 | 395220818 | 395220918 | 395221018 | 395221118 | 90.00 | 3.543 | 85.00 | 3.346 |
| 5.0mm, Euro Header, Right Angle, Open End | 19 | 395220019 | 395220119 | 395220219 | 395220319 | 395220419 | 395220519 | 395220619 | 395220719 | 395220819 | 395220919 | 395221019 | 395221119 | 95.00 | 3.740 | 90.00 | 3.543 |
| 5.0mm, Euro Header, Right Angle, Open End | 20 | 395220020 | 395220120 | 395220220 | 395220320 | 395220420 | 395220520 | 395220620 | 395220720 | 395220820 | 395220920 | 395221020 | 395221120 | 100.00 | 3.937 | 95.00 | 3.740 |
| 5.0mm, Euro Header, Right Angle, Open End | 21 | 395220021 | 395220121 | 395220221 | 395220321 | 395220421 | 395220521 | 395220621 | 395220721 | 395220821 | 395220921 | 395221021 | 395221121 | 105.00 | 4.134 | 100.00 | 3.937 |
| 5.0mm, Euro Header, Right Angle, Open End | 22 | 395220022 | 395220122 | 395220222 | 395220322 | 395220422 | 395220522 | 395220622 | 395220722 | 395220822 | 395220922 | 395221022 | 395221122 | 110.00 | 4.331 | 105.00 | 4.134 |
| 5.0mm, Euro Header, Right Angle, Open End | 23 | 395220023 | 395220123 | 395220223 | 395220323 | 395220423 | 395220523 | 395220623 | 395220723 | 395220823 | 395220923 | 395221023 | 395221123 | 115.00 | 4.528 | 110.00 | 4.331 |
| 5.0mm, Euro Header, Right Angle, Open End | 24 | 395220024 | 395220124 | 395220224 | 395220324 | 395220424 | 395220524 | 395220624 | 395220724 | 395220824 | 395220924 | 395221024 | 395221124 | 120.00 | 4.724 | 115.00 | 4.528 |

| TOLERANCES | | | |
|------------|-------|-----------|-------|
| MM | TOL | INCH | TOL |
| 0-6 | ±0.25 | 0-.24 | ±.010 |
| >6-30 | ±0.40 | .24-1.18 | ±.016 |
| >30-120 | ±0.50 | 1.18-4.76 | ±.020 |
| >120 | ±0.80 | >4.76 | ±.031 |

| | | | | |
|--|---|--|--|---|
| REVISED DOC TOL EC NO: IFC2017-0861 DRAWN: ANAGATH 2017/03/24 CHKD: APPR: BRUPERT 2017/04/18 REV | QUALITY SYMBOLS ▽=0 ▽=0 | GENERAL TOLERANCES (UNLESS SPECIFIED) mm INCH 4 PLACES ±--- ±--- 3 PLACES ±--- ±--- 2 PLACES ±--- ±--- 1 PLACE ±--- ±--- ANGULAR ±---° | DIMENSION STYLE MM/IN DRAWN BY DATE LROTHAUS 12/6/05 CHECKED BY DATE C. YORK 01/06/06 APPROVED BY DATE | SCALE DESIGN UNITS INCH THIRD ANGLE PROJECTION |
| | DRAFT WHERE APPLICABLE MUST REMAIN WITHIN DIMENSIONS | | MATERIAL NO. SEE CHART | TITLE 5.0MM, EURO HEADER, RIGHT ANGLE, OPEN END |
| | SIZE B | | DOCUMENT NO. SD-39522-003 | SHEET NO. 2 OF 2 |
| | THIS DRAWING CONTAINS INFORMATION THAT IS PROPRIETARY TO MOLEX INCORPORATED AND SHOULD NOT BE USED WITHOUT WRITTEN PERMISSION | | | |