



Chipsmall Limited consists of a professional team with an average of over 10 year of expertise in the distribution of electronic components. Based in Hongkong, we have already established firm and mutual-benefit business relationships with customers from,Europe,America and south Asia,supplying obsolete and hard-to-find components to meet their specific needs.

With the principle of “Quality Parts,Customers Priority,Honest Operation,and Considerate Service”,our business mainly focus on the distribution of electronic components. Line cards we deal with include Microchip,ALPS,ROHM,Xilinx,Pulse,ON,Everlight and Freescale. Main products comprise IC,Modules,Potentiometer,IC Socket,Relay,Connector.Our parts cover such applications as commercial,industrial, and automotives areas.

We are looking forward to setting up business relationship with you and hope to provide you with the best service and solution. Let us make a better world for our industry!



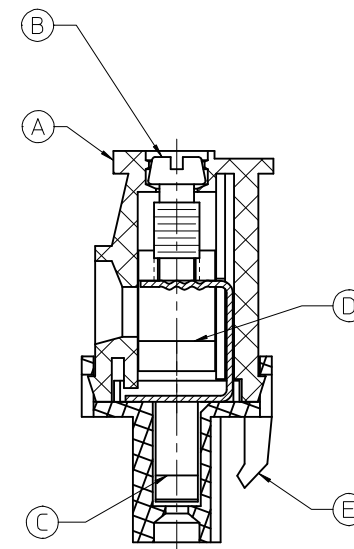
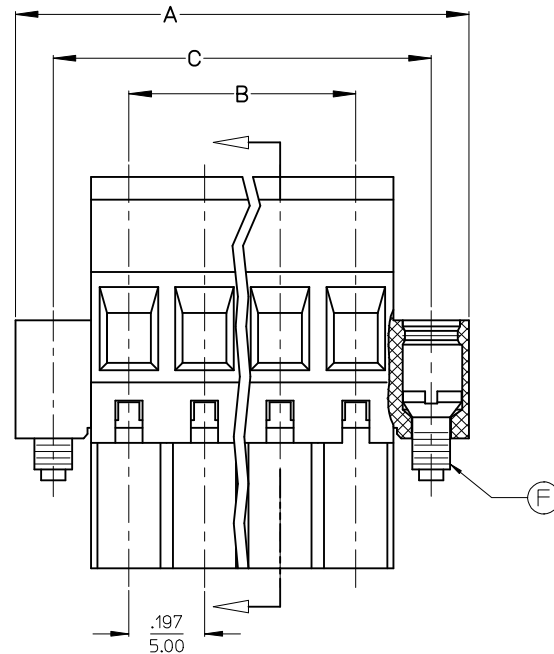
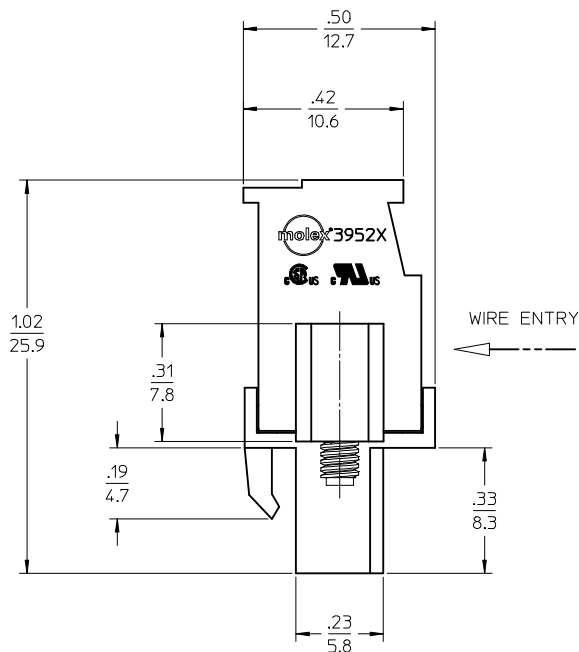
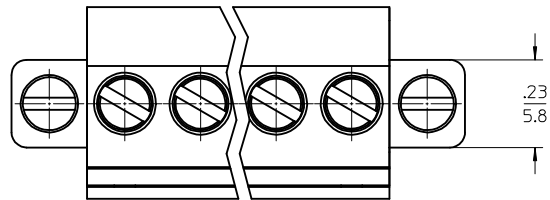
Contact us

Tel: +86-755-8981 8866 Fax: +86-755-8427 6832

Email & Skype: info@chipsmall.com Web: www.chipsmall.com

Address: A1208, Overseas Decoration Building, #122 Zhenhua RD., Futian, Shenzhen, China





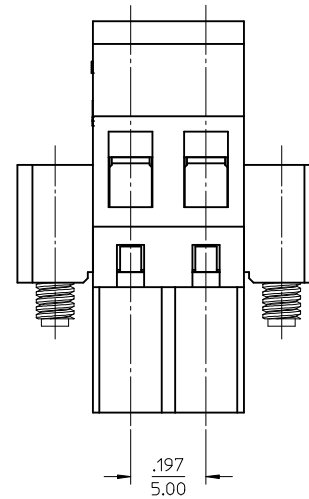
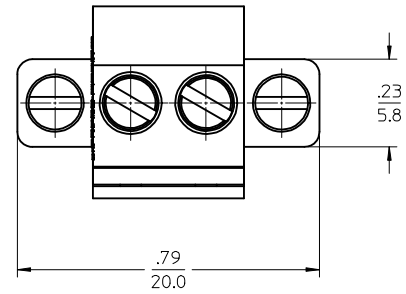
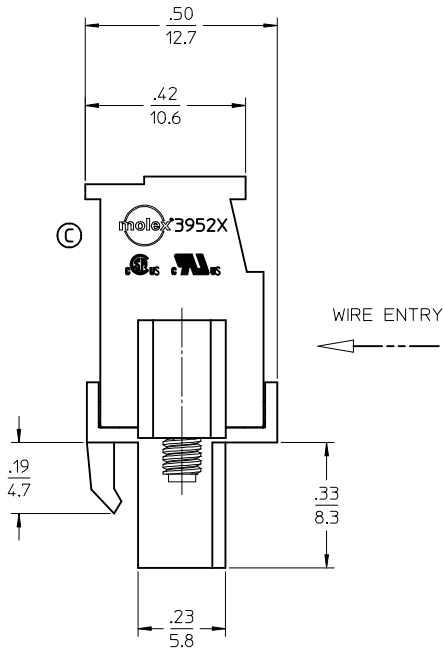
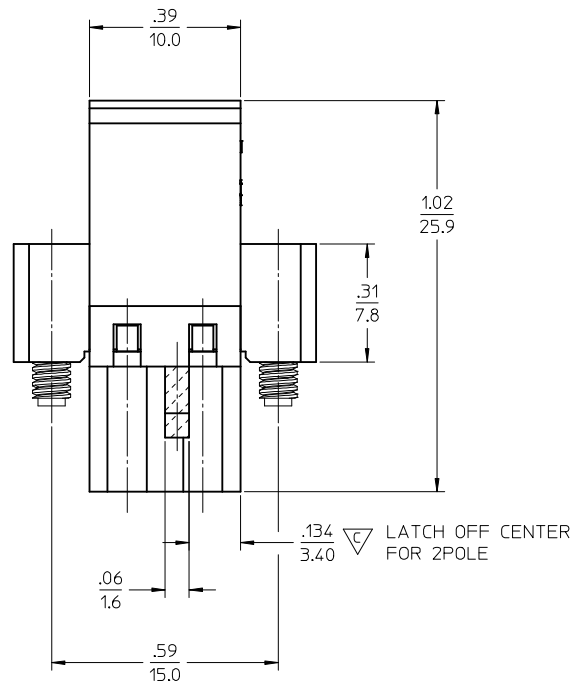
SPECIFICATIONS

1. Material:
 - A. Body: PA66, UL94V-0
 - B. Clamp screw: M3-Steel, Zinc plated
 - C. Terminal: Copper alloy
 - D. Cage: Brass, Nickel plated
 - E. Cover: PA66, UL94V-0
 - F. Mtg. screw: M2.5-Steel, Zinc plated
2. Wire range: 12 - 26AWG
3. Electrical rating: 300V, 10A
4. Wire slip length: 5.0mm
5. Operating temperature: -40°C to +105°C
6. Max torque: 3 in-lbs.
7. Insulation resistance: DC 500V, 500 Megohms
8. Dielectric withstand: AC 2500V for 1 minute
9. Breakdown voltage: 4000V
10. Contact resistance: <10 milliohms
11. N = Number of positions available 2 - 24 (see sheet 3)
12. Dims. shown are for reference only

TOLERANCES			
MM	TOL	INCH	TOL
0-6	+0.25	0-.24	±.010
>6-30	+0.40	.24-1.18	±.016
>30-120	+0.50	1.18-4.76	±.020
>120	+0.80	>4.76	±.031

REF. THIS DRAWING SUPERSEDES ME10 DOC. SD-39527-002 REV-B
SEE SHEET 2 FOR 2 POLE PLUG ASSEMBLY

REVISED DOC TOL EC NO: IFC2017-0881 DRAWN: CRAODREMS 2017/03/22 CHKD: APPR: BRUPERT 2017/04/18	QUALITY SYMBOLS	GENERAL TOLERANCES (UNLESS SPECIFIED) <table border="1"> <thead> <tr> <th></th> <th>mm</th> <th>INCH</th> </tr> </thead> <tbody> <tr> <td>4 PLACES</td> <td>± ---</td> <td>± ---</td> </tr> <tr> <td>3 PLACES</td> <td>± ---</td> <td>± ---</td> </tr> <tr> <td>2 PLACES</td> <td>± ---</td> <td>± ---</td> </tr> <tr> <td>1 PLACE</td> <td>± ---</td> <td>± ---</td> </tr> <tr> <td>0 PLACE</td> <td>± ---</td> <td>± ---</td> </tr> </tbody> </table>		mm	INCH	4 PLACES	± ---	± ---	3 PLACES	± ---	± ---	2 PLACES	± ---	± ---	1 PLACE	± ---	± ---	0 PLACE	± ---	± ---	DIMENSION STYLE	SCALE	DESIGN UNITS	THIRD ANGLE PROJECTION
			mm	INCH																				
	4 PLACES	± ---	± ---																					
	3 PLACES	± ---	± ---																					
2 PLACES	± ---	± ---																						
1 PLACE	± ---	± ---																						
0 PLACE	± ---	± ---																						
▼=0 ▽=1	IN/MM	3:1	METRIC																					
REV	DESCRIPTION	DRAFT WHERE APPLICABLE MUST REMAIN WITHIN DIMENSIONS	DRAWN BY: RSTONE CHECKED BY: B ARDEN APPROVED BY: JFMURPHY DATE: 2014/07/22 DATE: 2014/07/25 DATE: 2014/08/02	TITLE: 5.0MM EURO PLUG ASSY VERTICAL RWE WITH MOUNTING ENDS molex		SHEET NO. 1 OF 3																		
C1		ANGULAR ±---°	MATERIAL NO. SEE SHEET 3	DOCUMENT NO. SD-39527-002																				
THIS DRAWING CONTAINS INFORMATION THAT IS PROPRIETARY TO MOLEX INCORPORATED AND SHOULD NOT BE USED WITHOUT WRITTEN PERMISSION																								



2 POLE ASSEMBLY FOR STANDARD LATCH POSITION

SEE SHEET 1 FOR SPECIFICATIONS

TOLERANCES			
MM	TOL	INCH	TOL
0-6	±0.25	0-.24	±.010
>6-30	±0.40	.24-1.18	±.016
>30-120	±0.50	1.18-4.76	±.020
>120	±0.80	>4.76	±.031

REVISED DOC TOL
EC NO: IPG2017-0881
DRAWN:CRADOREMS 2017/03/22
CHKD:
APPR:BRUPERT 2017/04/18

QUALITY SYMBOLS
▽=0
▽=0

GENERAL TOLERANCES (UNLESS SPECIFIED)

	mm	INCH
4 PLACES	± ---	± ---
3 PLACES	± ---	± ---
2 PLACES	± ---	± ---
1 PLACE	± ---	± ---
0 PLACE	± ---	± ---

ANGULAR ± --- °
DRAFT WHERE APPLICABLE MUST REMAIN WITHIN DIMENSIONS

DIMENSION STYLE
IN/MM

DRAWN BY: RSTONE DATE: 2014/07/22
CHECKED BY: B ARDEN DATE: 2014/07/25
APPROVED BY: JFMURPHY DATE: 2014/08/02

MATERIAL NO.
SEE SHEET 3

SCALE 1:1
DESIGN UNITS METRIC
THIRD ANGLE PROJECTION

TITLE
**5.0MM EURO PLUG ASSY
VERTICAL RWE WITH
MOUNTING ENDS**

molex

DOCUMENT NO. SD-39527-002
SHEET NO. 2 OF 3

THIS DRAWING CONTAINS INFORMATION THAT IS PROPRIETARY TO MOLEX INCORPORATED AND SHOULD NOT BE USED WITHOUT WRITTEN PERMISSION

Description	Circuit size	Material Numbers												Dimensional Information						
		Black						Green						Dim. A		Dim B		Dim C		
		100% Tin			30 u" Gold			100% Tin			30 u" Gold			mm	inch	mm	inch	mm	inch	
		Printing Options			Printing Options			Printing Options			Printing Options									
None	10AV	11AV	None	10AV	11AV	None	10AV	11AV	None	10AV	11AV	None	10AV	11AV						
5.0mm, Euro Plug, Vertical FWE, Mounting Ends	2	395272002	395272302	395272402	395272502	395272802	395272902	395277002	395277302	395277402	395277502	395277802	395277902	20.0	0.79	5.0	0.20	15.0	0.59	
5.0mm, Euro Plug, Vertical FWE, Mounting Ends	3	395272003	395272303	395272403	395272503	395272803	395272903	395277003	395277303	395277403	395277503	395277803	395277903	25.0	0.98	10.0	0.39	20.0	0.79	
5.0mm, Euro Plug, Vertical FWE, Mounting Ends	4	395272004	395272304	395272404	395272504	395272804	395272904	395277004	395277304	395277404	395277504	395277804	395277904	30.0	1.18	15.0	0.59	25.0	0.98	
5.0mm, Euro Plug, Vertical FWE, Mounting Ends	5	395272005	395272305	395272405	395272505	395272805	395272905	395277005	395277305	395277405	395277505	395277805	395277905	35.0	1.36	20.0	0.79	30.0	1.18	
5.0mm, Euro Plug, Vertical FWE, Mounting Ends	6	395272006	395272306	395272406	395272506	395272806	395272906	395277006	395277306	395277406	395277506	395277806	395277906	40.0	1.58	25.0	0.98	35.0	1.38	
5.0mm, Euro Plug, Vertical FWE, Mounting Ends	7	395272007	395272307	395272407	395272507	395272807	395272907	395277007	395277307	395277407	395277507	395277807	395277907	45.0	1.77	30.0	1.18	40.0	1.58	
5.0mm, Euro Plug, Vertical FWE, Mounting Ends	8	395272008	395272308	395272408	395272508	395272808	395272908	395277008	395277308	395277408	395277508	395277808	395277908	50.0	1.97	35.0	1.38	45.0	1.77	
5.0mm, Euro Plug, Vertical FWE, Mounting Ends	9	395272009	395272309	395272409	395272509	395272809	395272909	395277009	395277309	395277409	395277509	395277809	395277909	55.0	2.17	40.0	1.58	50.0	1.97	
5.0mm, Euro Plug, Vertical FWE, Mounting Ends	10	395272010	395272310	395272410	395272510	395272810	395272910	395277010	395277310	395277410	395277510	395277810	395277910	60.0	2.36	45.0	1.77	55.0	2.17	
5.0mm, Euro Plug, Vertical FWE, Mounting Ends	11	395272011	395272311	395272411	395272511	395272811	395272911	395277011	395277311	395277411	395277511	395277811	395277911	65.0	2.56	50.0	1.97	60.0	2.36	
5.0mm, Euro Plug, Vertical FWE, Mounting Ends	12	395272012	395272312	395272412	395272512	395272812	395272912	395277012	395277312	395277412	395277512	395277812	395277912	70.0	2.76	55.0	2.17	65.0	2.56	
5.0mm, Euro Plug, Vertical FWE, Mounting Ends	13	395272013	395272313	395272413	395272513	395272813	395272913	395277013	395277313	395277413	395277513	395277813	395277913	75.0	2.95	60.0	2.36	70.0	2.76	
5.0mm, Euro Plug, Vertical FWE, Mounting Ends	14	395272014	395272314	395272414	395272514	395272814	395272914	395277014	395277314	395277414	395277514	395277814	395277914	80.0	3.15	65.0	2.56	75.0	2.95	
5.0mm, Euro Plug, Vertical FWE, Mounting Ends	15	395272015	395272315	395272415	395272515	395272815	395272915	395277015	395277315	395277415	395277515	395277815	395277915	85.0	3.35	70.0	2.76	80.0	3.15	
5.0mm, Euro Plug, Vertical FWE, Mounting Ends	16	395272016	395272316	395272416	395272516	395272816	395272916	395277016	395277316	395277416	395277516	395277816	395277916	90.0	3.54	75.0	2.95	85.0	3.35	
5.0mm, Euro Plug, Vertical FWE, Mounting Ends	17	395272017	395272317	395272417	395272517	395272817	395272917	395277017	395277317	395277417	395277517	395277817	395277917	95.0	3.74	80.0	3.15	90.0	3.54	
5.0mm, Euro Plug, Vertical FWE, Mounting Ends	18	395272018	395272318	395272418	395272518	395272818	395272918	395277018	395277318	395277418	395277518	395277818	395277918	100.0	3.94	85.0	3.35	95.0	3.74	
5.0mm, Euro Plug, Vertical FWE, Mounting Ends	19	395272019	395272319	395272419	395272519	395272819	395272919	395277019	395277319	395277419	395277519	395277819	395277919	105.0	4.13	90.0	3.54	100.0	3.94	
5.0mm, Euro Plug, Vertical FWE, Mounting Ends	20	395272020	395272320	395272420	395272520	395272820	395272920	395277020	395277320	395277420	395277520	395277820	395277920	110.0	4.33	95.0	3.74	105.0	4.13	
5.0mm, Euro Plug, Vertical FWE, Mounting Ends	21	395272021	395272321	395272421	395272521	395272821	395272921	395277021	395277321	395277421	395277521	395277821	395277921	115.0	4.53	100.0	3.94	110.0	4.33	
5.0mm, Euro Plug, Vertical FWE, Mounting Ends	22	395272022	395272322	395272422	395272522	395272822	395272922	395277022	395277322	395277422	395277522	395277822	395277922	120.0	4.72	105.0	4.13	115.0	4.53	
5.0mm, Euro Plug, Vertical FWE, Mounting Ends	23	395272023	395272323	395272423	395272523	395272823	395272923	395277023	395277323	395277423	395277523	395277823	395277923	125.0	4.92	110.0	4.33	120.0	4.72	
5.0mm, Euro Plug, Vertical FWE, Mounting Ends	24	395272024	395272324	395272424	395272524	395272824	395272924	395277024	395277324	395277424	395277524	395277824	395277924	130.0	5.12	115.0	4.53	125.0	4.92	

TOLERANCES			
MM	TOL	INCH	TOL
0-6	+0.25	0-.24	+0.10
>6-30	+0.40	.24-1.18	+0.16
>30-120	+0.50	1.18-4.76	+0.20
>120	+0.80	>4.76	+0.31

REVISED DOC TOL EC NO: IFC2017-0881 DRWING-CRADOREMS 2017/03/22 CHKD: APPR:BRUPERT 2017/04/18

QUALITY SYMBOLS
 = 0
 = 0

GENERAL TOLERANCES (UNLESS SPECIFIED)	DIMENSION STYLE IN/MM	SCALE 1:1	DESIGN UNITS METRIC	THIRD ANGLE PROJECTION
4 PLACES ± --- INCH	DRAWN BY RSTONE	DATE 2014/07/22	TITLE 5.0MM EURO PLUG ASSY VERTICAL RWE WITH MOUNTING ENDS	
3 PLACES ± --- INCH	CHECKED BY B ARDEN	DATE 2014/07/25	molex	
2 PLACES ± --- INCH	APPROVED BY JFMURPHY	DATE 2014/08/02		
1 PLACE ± --- INCH	MATERIAL NO. SEE CHART		DOCUMENT NO. SD-39527-002	SHEET NO. 3 OF 3
0 PLACE ± --- INCH	DRAFT WHERE APPLICABLE MUST REMAIN WITHIN DIMENSIONS			

THIS DRAWING CONTAINS INFORMATION THAT IS PROPRIETARY TO MOLEX INCORPORATED AND SHOULD NOT BE USED WITHOUT WRITTEN PERMISSION

Description	Circuit size	Material Numbers										Dimensional Information						
		Black					Green					Dim A		Dim B		Dim C		
		100% Tin		30 u" Gold			100% Tin		30 u" Gold			mm	inch	mm	inch	mm	inch	
		Printing Options		Printing Options			Printing Options		Printing Options									
		None	11AV	None	10AV	11AV	None	10AV	11AV	None	10AV	11AV	mm	inch	mm	inch	mm	inch
5.0mm. Euro Plug, Vertical FWE, Mounting Ends	2	395272002	395272302	395272402	395272502	395272602	395272702	395272802	395272902	395273002	395273102	395273202	20.0	0.79	5.0	0.20	15.0	0.59
5.0mm. Euro Plug, Vertical FWE, Mounting Ends	3	395272003	395272303	395272403	395272503	395272603	395272703	395272803	395272903	395273003	395273103	395273203	25.0	0.98	10.0	0.39	20.0	0.79
5.0mm. Euro Plug, Vertical FWE, Mounting Ends	4	395272004	395272304	395272404	395272504	395272604	395272704	395272804	395272904	395273004	395273104	395273204	30.0	1.18	15.0	0.59	25.0	0.98
5.0mm. Euro Plug, Vertical FWE, Mounting Ends	5	395272005	395272305	395272405	395272505	395272605	395272705	395272805	395272905	395273005	395273105	395273205	35.0	1.38	20.0	0.79	30.0	1.18
5.0mm. Euro Plug, Vertical FWE, Mounting Ends	6	395272006	395272306	395272406	395272506	395272606	395272706	395272806	395272906	395273006	395273106	395273206	40.0	1.58	25.0	0.98	35.0	1.38
5.0mm. Euro Plug, Vertical FWE, Mounting Ends	7	395272007	395272307	395272407	395272507	395272607	395272707	395272807	395272907	395273007	395273107	395273207	45.0	1.77	30.0	1.18	40.0	1.58
5.0mm. Euro Plug, Vertical FWE, Mounting Ends	8	395272008	395272308	395272408	395272508	395272608	395272708	395272808	395272908	395273008	395273108	395273208	50.0	1.97	35.0	1.39	45.0	1.77
5.0mm. Euro Plug, Vertical FWE, Mounting Ends	9	395272009	395272309	395272409	395272509	395272609	395272709	395272809	395272909	395273009	395273109	395273209	55.0	2.17	40.0	1.58	50.0	1.97
5.0mm. Euro Plug, Vertical FWE, Mounting Ends	10	395272010	395272310	395272410	395272510	395272610	395272710	395272810	395272910	395273010	395273110	395273210	60.0	2.36	45.0	1.77	55.0	2.17
5.0mm. Euro Plug, Vertical FWE, Mounting Ends	11	395272011	395272311	395272411	395272511	395272611	395272711	395272811	395272911	395273011	395273111	395273211	65.0	2.56	50.0	1.97	60.0	2.36
5.0mm. Euro Plug, Vertical FWE, Mounting Ends	12	395272012	395272312	395272412	395272512	395272612	395272712	395272812	395272912	395273012	395273112	395273212	70.0	2.76	55.0	2.17	65.0	2.56
5.0mm. Euro Plug, Vertical FWE, Mounting Ends	13	395272013	395272313	395272413	395272513	395272613	395272713	395272813	395272913	395273013	395273113	395273213	75.0	2.95	60.0	2.36	70.0	2.76
5.0mm. Euro Plug, Vertical FWE, Mounting Ends	14	395272014	395272314	395272414	395272514	395272614	395272714	395272814	395272914	395273014	395273114	395273214	80.0	3.15	65.0	2.56	75.0	2.95
5.0mm. Euro Plug, Vertical FWE, Mounting Ends	15	395272015	395272315	395272415	395272515	395272615	395272715	395272815	395272915	395273015	395273115	395273215	85.0	3.35	70.0	2.76	80.0	3.15
5.0mm. Euro Plug, Vertical FWE, Mounting Ends	16	395272016	395272316	395272416	395272516	395272616	395272716	395272816	395272916	395273016	395273116	395273216	90.0	3.54	75.0	2.95	85.0	3.35
5.0mm. Euro Plug, Vertical FWE, Mounting Ends	17	395272017	395272317	395272417	395272517	395272617	395272717	395272817	395272917	395273017	395273117	395273217	95.0	3.74	80.0	3.15	90.0	3.54
5.0mm. Euro Plug, Vertical FWE, Mounting Ends	18	395272018	395272318	395272418	395272518	395272618	395272718	395272818	395272918	395273018	395273118	395273218	100.0	3.94	85.0	3.35	95.0	3.74
5.0mm. Euro Plug, Vertical FWE, Mounting Ends	19	395272019	395272319	395272419	395272519	395272619	395272719	395272819	395272919	395273019	395273119	395273219	105.0	4.13	90.0	3.54	100.0	3.94
5.0mm. Euro Plug, Vertical FWE, Mounting Ends	20	395272020	395272320	395272420	395272520	395272620	395272720	395272820	395272920	395273020	395273120	395273220	110.0	4.33	95.0	3.74	105.0	4.13
5.0mm. Euro Plug, Vertical FWE, Mounting Ends	21	395272021	395272321	395272421	395272521	395272621	395272721	395272821	395272921	395273021	395273121	395273221	115.0	4.53	100.0	3.94	110.0	4.33
5.0mm. Euro Plug, Vertical FWE, Mounting Ends	22	395272022	395272322	395272422	395272522	395272622	395272722	395272822	395272922	395273022	395273122	395273222	120.0	4.72	105.0	4.13	115.0	4.53
5.0mm. Euro Plug, Vertical FWE, Mounting Ends	23	395272023	395272323	395272423	395272523	395272623	395272723	395272823	395272923	395273023	395273123	395273223	125.0	4.92	110.0	4.33	120.0	4.72
5.0mm. Euro Plug, Vertical FWE, Mounting Ends	24	395272024	395272324	395272424	395272524	395272624	395272724	395272824	395272924	395273024	395273124	395273224	130.0	5.12	115.0	4.53	125.0	4.92

TOLERANCES			
MM	TOL	INCH	TOL
0-6	±0.25	0-.24	±.010
>6-30	±0.40	.24-1.18	±.016
>30-120	±0.50	1.18-4.76	±.020
>120	±0.80	>4.76	±.031

REVISED DOC TOL
 EC NO: PG2017-0861
 DRAWN: CRADDOREWS 2017/03/22
 CHKD:
 APPR: BRUPERT 2017/04/18

QUALITY SYMBOLS
 ▽=0
 ▽=0
 A1

GENERAL TOLERANCES (UNLESS SPECIFIED)

	mm	INCH
4 PLACES	± ---	± ---
3 PLACES	± ---	± ---
2 PLACES	± ---	± ---
1 PLACE	± ---	± ---
ANGULAR ± ---°		

DRAFT WHERE APPLICABLE
 MUST REMAIN WITHIN DIMENSIONS

DIMENSION STYLE
 MM/IN

DRAWN BY DATE
 C. YORK 2006/03/16

CHECKED BY DATE
 R. DEROSS 2006/03/16

APPROVED BY DATE
 R. DEROSS 2006/03/16

MATERIAL NO.
 SEE CHART

SIZE
 B

SCALE
 INCH

DESIGN UNITS
 INCH

THIRD ANGLE PROJECTION

TITLE
 5.0MM, EURO PLUG,
 VERTICAL, FRONT WIRE
 ENTRY WITH MOUNTING ENDS

moLEX MOLEX INCORPORATED

DOCUMENT NO.
 SD-39527-002

SHEET NO.
 2 OF 2

THIS DRAWING CONTAINS INFORMATION THAT IS PROPRIETARY TO MOLEX INCORPORATED AND SHOULD NOT BE USED WITHOUT WRITTEN PERMISSION