



Chipsmall Limited consists of a professional team with an average of over 10 year of expertise in the distribution of electronic components. Based in Hongkong, we have already established firm and mutual-benefit business relationships with customers from,Europe,America and south Asia,supplying obsolete and hard-to-find components to meet their specific needs.

With the principle of “Quality Parts,Customers Priority,Honest Operation,and Considerate Service”,our business mainly focus on the distribution of electronic components. Line cards we deal with include Microchip,ALPS,ROHM,Xilinx,Pulse,ON,Everlight and Freescale. Main products comprise IC,Modules,Potentiometer,IC Socket,Relay,Connector.Our parts cover such applications as commercial,industrial, and automotives areas.

We are looking forward to setting up business relationship with you and hope to provide you with the best service and solution. Let us make a better world for our industry!



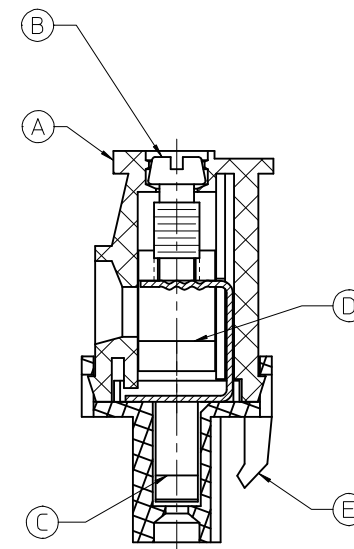
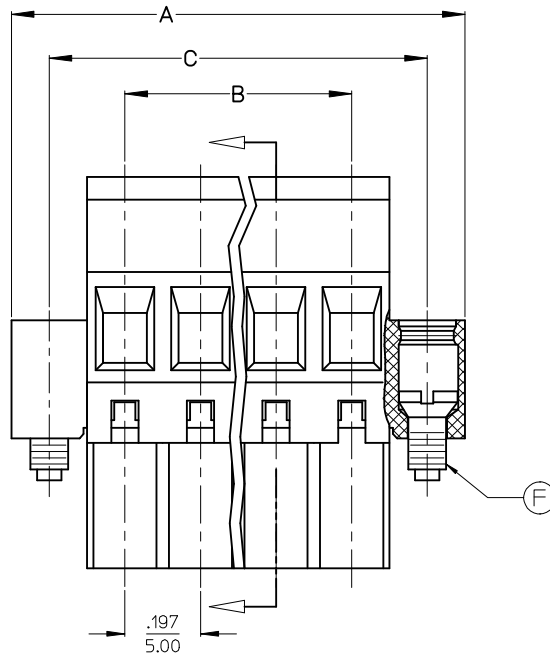
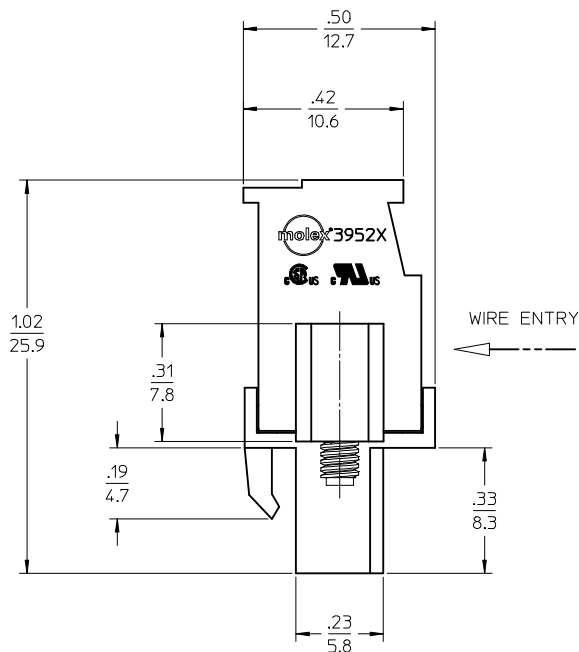
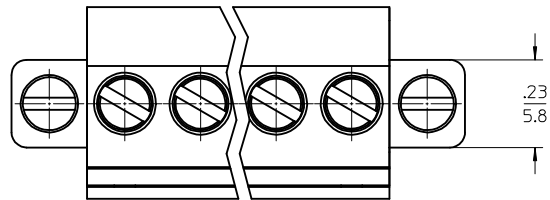
Contact us

Tel: +86-755-8981 8866 Fax: +86-755-8427 6832

Email & Skype: info@chipsmall.com Web: www.chipsmall.com

Address: A1208, Overseas Decoration Building, #122 Zhenhua RD., Futian, Shenzhen, China





SPECIFICATIONS

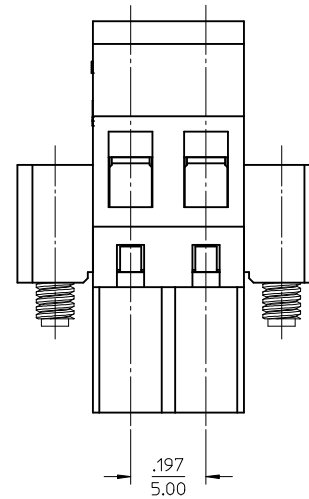
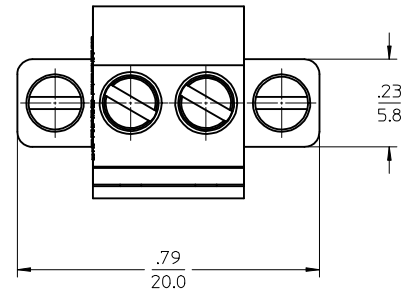
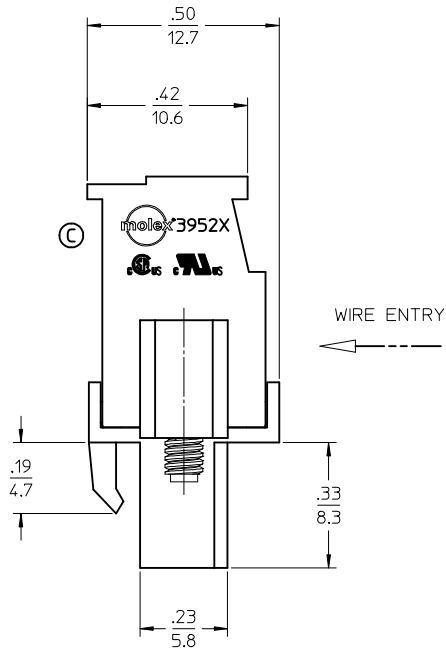
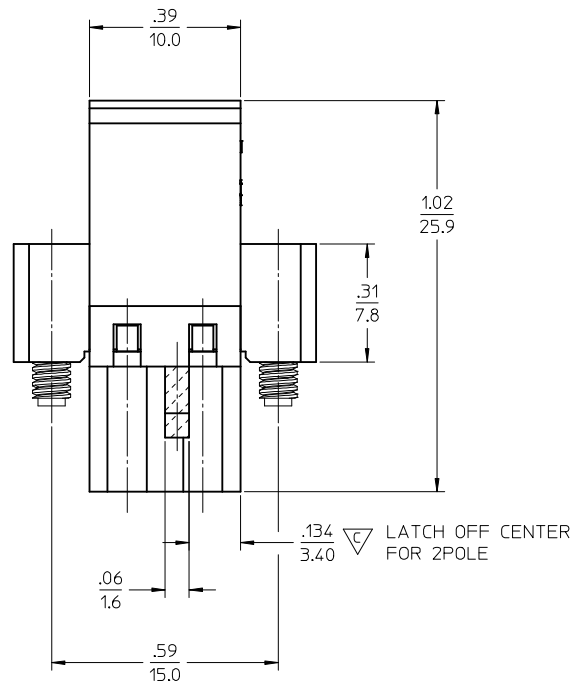
- Material:
 - A. Body: PA66, UL94V-0
 - B. Clamp screw: M3-Steel, Zinc plated
 - C. Terminal: Copper alloy
 - D. Cage: Brass, Nickel plated
 - E. Cover: PA66, UL94V-0
 - F. Mtg. screw: M2.5-Steel, Zinc plated
- Wire range: 12 - 26AWG
- Electrical rating: 300V, 10A
- Wire slip length: 5.0mm
- Operating temperature: -40°C to +105°C
- Max torque: 3 in-lbs.
- Insulation resistance: DC 500V, 500 Megohms
- Dielectric withstand: AC 2500V for 1 minute
- Breakdown voltage: 4000V
- Contact resistance: <10 milliohms
- N = Number of positions available 2 - 24 (see sheet 3)
- Dims. shown are for reference only

| TOLERANCES | | | |
|------------|-------|-----------|-------|
| MM | TOL | INCH | TOL |
| 0-6 | +0.25 | 0-.24 | ±.010 |
| >6-30 | +0.40 | .24-1.18 | ±.016 |
| >30-120 | +0.50 | 1.18-4.76 | ±.020 |
| >120 | +0.80 | >4.76 | ±.031 |

REF. THIS DRAWING SUPERSEDES ME10 DOC. SD-39527-002 REV-B
SEE SHEET 2 FOR 2 POLE PLUG ASSEMBLY

| REVISED DOC TOL EC NO: IFC2017-0881 DRAWN: CRAODREMS 2017/03/22 CHKD: APPR: BRUPERT 2017/04/18 DESCRIPTION | QUALITY SYMBOLS | GENERAL TOLERANCES (UNLESS SPECIFIED) <table border="1"> <thead> <tr> <th></th> <th>mm</th> <th>INCH</th> </tr> </thead> <tbody> <tr> <td>4 PLACES</td> <td>± ---</td> <td>± ---</td> </tr> <tr> <td>3 PLACES</td> <td>± ---</td> <td>± ---</td> </tr> <tr> <td>2 PLACES</td> <td>± ---</td> <td>± ---</td> </tr> <tr> <td>1 PLACE</td> <td>± ---</td> <td>± ---</td> </tr> <tr> <td>0 PLACE</td> <td>± ---</td> <td>± ---</td> </tr> </tbody> </table> | | mm | INCH | 4 PLACES | ± --- | ± --- | 3 PLACES | ± --- | ± --- | 2 PLACES | ± --- | ± --- | 1 PLACE | ± --- | ± --- | 0 PLACE | ± --- | ± --- | DIMENSION STYLE IN/MM | SCALE 3:1 | DESIGN UNITS METRIC | THIRD ANGLE PROJECTION |
|---|------------------------------------|--|--|-------------------------------------|----------------------------|----------|-------|-------|----------|-------|-------|----------|-------|-------|---------|-------|-------|---------|-------|-------|---------------------------------|---------------------|-------------------------------|------------------------|
| | | | mm | INCH | | | | | | | | | | | | | | | | | | | | |
| | 4 PLACES | ± --- | ± --- | | | | | | | | | | | | | | | | | | | | | |
| | 3 PLACES | ± --- | ± --- | | | | | | | | | | | | | | | | | | | | | |
| 2 PLACES | ± --- | ± --- | | | | | | | | | | | | | | | | | | | | | | |
| 1 PLACE | ± --- | ± --- | | | | | | | | | | | | | | | | | | | | | | |
| 0 PLACE | ± --- | ± --- | | | | | | | | | | | | | | | | | | | | | | |
| ▼=0 ▽=1 | DRAWN BY RSTONE 2014/07/22 | DATE 2014/07/22 | TITLE 5.0MM EURO PLUG ASSY VERTICAL RWE WITH MOUNTING ENDS | | | | | | | | | | | | | | | | | | | | | |
| | CHECKED BY B ARDEN 2014/07/25 | DATE 2014/07/25 | molex | | | | | | | | | | | | | | | | | | | | | |
| | APPROVED BY JFMURPHY 2014/08/02 | DATE 2014/08/02 | MATERIAL NO. SEE SHEET 3 | DOCUMENT NO. SD-39527-002 | SHEET NO. 1 OF 3 | | | | | | | | | | | | | | | | | | | |

DRAFT WHERE APPLICABLE MUST REMAIN WITHIN DIMENSIONS
 THIS DRAWING CONTAINS INFORMATION THAT IS PROPRIETARY TO MOLEX INCORPORATED AND SHOULD NOT BE USED WITHOUT WRITTEN PERMISSION



2 POLE ASSEMBLY FOR STANDARD LATCH POSITION

SEE SHEET 1 FOR SPECIFICATIONS

| TOLERANCES | | | |
|------------|-------|-----------|-------|
| MM | TOL | INCH | TOL |
| 0-6 | ±0.25 | 0-.24 | ±.010 |
| >6-30 | ±0.40 | .24-1.18 | ±.016 |
| >30-120 | ±0.50 | 1.18-4.76 | ±.020 |
| >120 | ±0.80 | >4.76 | ±.031 |

REVISED DOC TOL
EC NO: IPG2017-0881
DRAWN: CRAODREMS 2017/03/22
CHKD:
APPR: BRUPERT 2017/04/18

QUALITY SYMBOLS
▽=0
▽=0

GENERAL TOLERANCES (UNLESS SPECIFIED)
mm INCH
4 PLACES ± --- ± ---
3 PLACES ± --- ± ---
2 PLACES ± --- ± ---
1 PLACE ± --- ± ---
0 PLACE ± --- ± ---
ANGULAR ± --- °
DRAFT WHERE APPLICABLE MUST REMAIN WITHIN DIMENSIONS

DIMENSION STYLE IN/MM
DRAWN BY RSTONE DATE 2014/07/22
CHECKED BY B ARDEN DATE 2014/07/25
APPROVED BY JFMURPHY DATE 2014/08/02
MATERIAL NO.
SEE SHEET 3

SCALE 1:1
DESIGN UNITS METRIC
THIRD ANGLE PROJECTION
TITLE 5.0MM EURO PLUG ASSY VERTICAL RWE WITH MOUNTING ENDS
molex
DOCUMENT NO. SD-39527-002
SHEET NO. 2 OF 3
THIS DRAWING CONTAINS INFORMATION THAT IS PROPRIETARY TO MOLEX INCORPORATED AND SHOULD NOT BE USED WITHOUT WRITTEN PERMISSION

| Description | Circuit size | Material Numbers | | | | | | | | | | | | Dimensional Information | | | | | |
|---|--------------|------------------|-----------|-----------|------------------|-----------|-----------|------------------|-----------|-----------|------------------|-----------|-----------|-------------------------|------|-------|------|-------|------|
| | | Black | | | | | | Green | | | | | | Dim. A | | Dim B | | Dim C | |
| | | 100% Tin | | | 30 u" Gold | | | 100% Tin | | | 30 u" Gold | | | mm | inch | mm | inch | mm | inch |
| | | Printing Options | | | Printing Options | | | Printing Options | | | Printing Options | | | | | | | | |
| None | 10AV | 11AV | None | 10AV | 11AV | None | 10AV | 11AV | None | 10AV | 11AV | None | 10AV | 11AV | | | | | |
| 5.0mm, Euro Plug, Vertical FWE, Mounting Ends | 2 | 395272002 | 395272302 | 395272402 | 395272502 | 395272802 | 395272902 | 395277002 | 395277302 | 395277402 | 395277502 | 395277802 | 395277902 | 20.0 | 0.79 | 5.0 | 0.20 | 15.0 | 0.59 |
| 5.0mm, Euro Plug, Vertical FWE, Mounting Ends | 3 | 395272003 | 395272303 | 395272403 | 395272503 | 395272803 | 395272903 | 395277003 | 395277303 | 395277403 | 395277503 | 395277803 | 395277903 | 25.0 | 0.98 | 10.0 | 0.39 | 20.0 | 0.79 |
| 5.0mm, Euro Plug, Vertical FWE, Mounting Ends | 4 | 395272004 | 395272304 | 395272404 | 395272504 | 395272804 | 395272904 | 395277004 | 395277304 | 395277404 | 395277504 | 395277804 | 395277904 | 30.0 | 1.18 | 15.0 | 0.59 | 25.0 | 0.98 |
| 5.0mm, Euro Plug, Vertical FWE, Mounting Ends | 5 | 395272005 | 395272305 | 395272405 | 395272505 | 395272805 | 395272905 | 395277005 | 395277305 | 395277405 | 395277505 | 395277805 | 395277905 | 35.0 | 1.36 | 20.0 | 0.79 | 30.0 | 1.18 |
| 5.0mm, Euro Plug, Vertical FWE, Mounting Ends | 6 | 395272006 | 395272306 | 395272406 | 395272506 | 395272806 | 395272906 | 395277006 | 395277306 | 395277406 | 395277506 | 395277806 | 395277906 | 40.0 | 1.58 | 25.0 | 0.98 | 35.0 | 1.38 |
| 5.0mm, Euro Plug, Vertical FWE, Mounting Ends | 7 | 395272007 | 395272307 | 395272407 | 395272507 | 395272807 | 395272907 | 395277007 | 395277307 | 395277407 | 395277507 | 395277807 | 395277907 | 45.0 | 1.77 | 30.0 | 1.18 | 40.0 | 1.58 |
| 5.0mm, Euro Plug, Vertical FWE, Mounting Ends | 8 | 395272008 | 395272308 | 395272408 | 395272508 | 395272808 | 395272908 | 395277008 | 395277308 | 395277408 | 395277508 | 395277808 | 395277908 | 50.0 | 1.97 | 35.0 | 1.38 | 45.0 | 1.77 |
| 5.0mm, Euro Plug, Vertical FWE, Mounting Ends | 9 | 395272009 | 395272309 | 395272409 | 395272509 | 395272809 | 395272909 | 395277009 | 395277309 | 395277409 | 395277509 | 395277809 | 395277909 | 55.0 | 2.17 | 40.0 | 1.58 | 50.0 | 1.97 |
| 5.0mm, Euro Plug, Vertical FWE, Mounting Ends | 10 | 395272010 | 395272310 | 395272410 | 395272510 | 395272810 | 395272910 | 395277010 | 395277310 | 395277410 | 395277510 | 395277810 | 395277910 | 60.0 | 2.36 | 45.0 | 1.77 | 55.0 | 2.17 |
| 5.0mm, Euro Plug, Vertical FWE, Mounting Ends | 11 | 395272011 | 395272311 | 395272411 | 395272511 | 395272811 | 395272911 | 395277011 | 395277311 | 395277411 | 395277511 | 395277811 | 395277911 | 65.0 | 2.56 | 50.0 | 1.97 | 60.0 | 2.36 |
| 5.0mm, Euro Plug, Vertical FWE, Mounting Ends | 12 | 395272012 | 395272312 | 395272412 | 395272512 | 395272812 | 395272912 | 395277012 | 395277312 | 395277412 | 395277512 | 395277812 | 395277912 | 70.0 | 2.76 | 55.0 | 2.17 | 65.0 | 2.56 |
| 5.0mm, Euro Plug, Vertical FWE, Mounting Ends | 13 | 395272013 | 395272313 | 395272413 | 395272513 | 395272813 | 395272913 | 395277013 | 395277313 | 395277413 | 395277513 | 395277813 | 395277913 | 75.0 | 2.95 | 60.0 | 2.36 | 70.0 | 2.76 |
| 5.0mm, Euro Plug, Vertical FWE, Mounting Ends | 14 | 395272014 | 395272314 | 395272414 | 395272514 | 395272814 | 395272914 | 395277014 | 395277314 | 395277414 | 395277514 | 395277814 | 395277914 | 80.0 | 3.15 | 65.0 | 2.56 | 75.0 | 2.95 |
| 5.0mm, Euro Plug, Vertical FWE, Mounting Ends | 15 | 395272015 | 395272315 | 395272415 | 395272515 | 395272815 | 395272915 | 395277015 | 395277315 | 395277415 | 395277515 | 395277815 | 395277915 | 85.0 | 3.35 | 70.0 | 2.76 | 80.0 | 3.15 |
| 5.0mm, Euro Plug, Vertical FWE, Mounting Ends | 16 | 395272016 | 395272316 | 395272416 | 395272516 | 395272816 | 395272916 | 395277016 | 395277316 | 395277416 | 395277516 | 395277816 | 395277916 | 90.0 | 3.54 | 75.0 | 2.95 | 85.0 | 3.35 |
| 5.0mm, Euro Plug, Vertical FWE, Mounting Ends | 17 | 395272017 | 395272317 | 395272417 | 395272517 | 395272817 | 395272917 | 395277017 | 395277317 | 395277417 | 395277517 | 395277817 | 395277917 | 95.0 | 3.74 | 80.0 | 3.15 | 90.0 | 3.54 |
| 5.0mm, Euro Plug, Vertical FWE, Mounting Ends | 18 | 395272018 | 395272318 | 395272418 | 395272518 | 395272818 | 395272918 | 395277018 | 395277318 | 395277418 | 395277518 | 395277818 | 395277918 | 100.0 | 3.94 | 85.0 | 3.35 | 95.0 | 3.74 |
| 5.0mm, Euro Plug, Vertical FWE, Mounting Ends | 19 | 395272019 | 395272319 | 395272419 | 395272519 | 395272819 | 395272919 | 395277019 | 395277319 | 395277419 | 395277519 | 395277819 | 395277919 | 105.0 | 4.13 | 90.0 | 3.54 | 100.0 | 3.94 |
| 5.0mm, Euro Plug, Vertical FWE, Mounting Ends | 20 | 395272020 | 395272320 | 395272420 | 395272520 | 395272820 | 395272920 | 395277020 | 395277320 | 395277420 | 395277520 | 395277820 | 395277920 | 110.0 | 4.33 | 95.0 | 3.74 | 105.0 | 4.13 |
| 5.0mm, Euro Plug, Vertical FWE, Mounting Ends | 21 | 395272021 | 395272321 | 395272421 | 395272521 | 395272821 | 395272921 | 395277021 | 395277321 | 395277421 | 395277521 | 395277821 | 395277921 | 115.0 | 4.53 | 100.0 | 3.94 | 110.0 | 4.33 |
| 5.0mm, Euro Plug, Vertical FWE, Mounting Ends | 22 | 395272022 | 395272322 | 395272422 | 395272522 | 395272822 | 395272922 | 395277022 | 395277322 | 395277422 | 395277522 | 395277822 | 395277922 | 120.0 | 4.72 | 105.0 | 4.13 | 115.0 | 4.53 |
| 5.0mm, Euro Plug, Vertical FWE, Mounting Ends | 23 | 395272023 | 395272323 | 395272423 | 395272523 | 395272823 | 395272923 | 395277023 | 395277323 | 395277423 | 395277523 | 395277823 | 395277923 | 125.0 | 4.92 | 110.0 | 4.33 | 120.0 | 4.72 |
| 5.0mm, Euro Plug, Vertical FWE, Mounting Ends | 24 | 395272024 | 395272324 | 395272424 | 395272524 | 395272824 | 395272924 | 395277024 | 395277324 | 395277424 | 395277524 | 395277824 | 395277924 | 130.0 | 5.12 | 115.0 | 4.53 | 125.0 | 4.92 |

| TOLERANCES | | | |
|------------|-------|-----------|-------|
| MM | TOL | INCH | TOL |
| 0-6 | +0.25 | 0-.24 | +0.10 |
| >6-30 | +0.40 | .24-1.18 | +0.16 |
| >30-120 | +0.50 | 1.18-4.76 | +0.20 |
| >120 | +0.80 | >4.76 | +0.31 |

REVISED DOC TOL EC NO: IPG2017-0881
 DRAWN: CRADDOREMS 2017/03/22
 CHKD: APPR: BRUPERT 2017/04/18
 DESCRIPTION:

QUALITY SYMBOLS
 ▽=0
 ▽=0

GENERAL TOLERANCES (UNLESS SPECIFIED)
 mm INCH
 4 PLACES ± --- ± ---
 3 PLACES ± --- ± ---
 2 PLACES ± --- ± ---
 1 PLACE ± --- ± ---
 0 PLACE ± --- ± ---

DIMENSION STYLE IN/MM
 DRAWN BY DATE RSTONE 2014/07/22
 CHECKED BY DATE B ARDEN 2014/07/25
 APPROVED BY DATE JFMURPHY 2014/08/02

SCALE 1:1
 DESIGN UNITS METRIC
 THIRD ANGLE PROJECTION

TITLE 5.0MM EURO PLUG ASSY VERTICAL RWE WITH MOUNTING ENDS
molex
 MATERIAL NO. SEE CHART
 DOCUMENT NO. SD-39527-002
 SHEET NO. 3 OF 3

DRAFT WHERE APPLICABLE MUST REMAIN WITHIN DIMENSIONS
 THIS DRAWING CONTAINS INFORMATION THAT IS PROPRIETARY TO MOLEX INCORPORATED AND SHOULD NOT BE USED WITHOUT WRITTEN PERMISSION

| Description | Circuit size | Material Numbers | | | | | | | | | | Dimensional Information | | | | | | | | | |
|---|--------------|------------------|-----------|------------------|-----------|-----------|------------------|-----------|------------------|-----------|-----------|-------------------------|-----------|-----------|-----------|-------|------|-------|------|-------|------|
| | | Black | | | | | Green | | | | | Dim A | | Dim B | | Dim C | | | | | |
| | | 100% Tin | | 30 u" Gold | | | 100% Tin | | 30 u" Gold | | | mm | inch | mm | inch | mm | inch | | | | |
| | | Printing Options | | Printing Options | | | Printing Options | | Printing Options | | | | | | | | | | | | |
| | | None | 11AV | None | 10AV | 11AV | None | 10AV | 11AV | None | 10AV | 11AV | None | 10AV | 11AV | | | | | | |
| 5.0mm. Euro Plug, Vertical FWE, Mounting Ends | 2 | 395272002 | 395272302 | 395272402 | 395272502 | 395272602 | 395272702 | 395272802 | 395272902 | 395273002 | 395273102 | 395273202 | 395273302 | 395273402 | 395273502 | 20.0 | 0.79 | 5.0 | 0.20 | 15.0 | 0.59 |
| 5.0mm. Euro Plug, Vertical FWE, Mounting Ends | 3 | 395272003 | 395272303 | 395272403 | 395272503 | 395272603 | 395272703 | 395272803 | 395272903 | 395273003 | 395273103 | 395273203 | 395273303 | 395273403 | 395273503 | 25.0 | 0.98 | 10.0 | 0.39 | 20.0 | 0.79 |
| 5.0mm. Euro Plug, Vertical FWE, Mounting Ends | 4 | 395272004 | 395272304 | 395272404 | 395272504 | 395272604 | 395272704 | 395272804 | 395272904 | 395273004 | 395273104 | 395273204 | 395273304 | 395273404 | 395273504 | 30.0 | 1.18 | 15.0 | 0.59 | 25.0 | 0.98 |
| 5.0mm. Euro Plug, Vertical FWE, Mounting Ends | 5 | 395272005 | 395272305 | 395272405 | 395272505 | 395272605 | 395272705 | 395272805 | 395272905 | 395273005 | 395273105 | 395273205 | 395273305 | 395273405 | 395273505 | 35.0 | 1.38 | 20.0 | 0.79 | 30.0 | 1.18 |
| 5.0mm. Euro Plug, Vertical FWE, Mounting Ends | 6 | 395272006 | 395272306 | 395272406 | 395272506 | 395272606 | 395272706 | 395272806 | 395272906 | 395273006 | 395273106 | 395273206 | 395273306 | 395273406 | 395273506 | 40.0 | 1.58 | 25.0 | 0.98 | 35.0 | 1.38 |
| 5.0mm. Euro Plug, Vertical FWE, Mounting Ends | 7 | 395272007 | 395272307 | 395272407 | 395272507 | 395272607 | 395272707 | 395272807 | 395272907 | 395273007 | 395273107 | 395273207 | 395273307 | 395273407 | 395273507 | 45.0 | 1.77 | 30.0 | 1.18 | 40.0 | 1.58 |
| 5.0mm. Euro Plug, Vertical FWE, Mounting Ends | 8 | 395272008 | 395272308 | 395272408 | 395272508 | 395272608 | 395272708 | 395272808 | 395272908 | 395273008 | 395273108 | 395273208 | 395273308 | 395273408 | 395273508 | 50.0 | 1.97 | 35.0 | 1.39 | 45.0 | 1.77 |
| 5.0mm. Euro Plug, Vertical FWE, Mounting Ends | 9 | 395272009 | 395272309 | 395272409 | 395272509 | 395272609 | 395272709 | 395272809 | 395272909 | 395273009 | 395273109 | 395273209 | 395273309 | 395273409 | 395273509 | 55.0 | 2.17 | 40.0 | 1.58 | 50.0 | 1.97 |
| 5.0mm. Euro Plug, Vertical FWE, Mounting Ends | 10 | 395272010 | 395272310 | 395272410 | 395272510 | 395272610 | 395272710 | 395272810 | 395272910 | 395273010 | 395273110 | 395273210 | 395273310 | 395273410 | 395273510 | 60.0 | 2.36 | 45.0 | 1.77 | 55.0 | 2.17 |
| 5.0mm. Euro Plug, Vertical FWE, Mounting Ends | 11 | 395272011 | 395272311 | 395272411 | 395272511 | 395272611 | 395272711 | 395272811 | 395272911 | 395273011 | 395273111 | 395273211 | 395273311 | 395273411 | 395273511 | 65.0 | 2.56 | 50.0 | 1.97 | 60.0 | 2.36 |
| 5.0mm. Euro Plug, Vertical FWE, Mounting Ends | 12 | 395272012 | 395272312 | 395272412 | 395272512 | 395272612 | 395272712 | 395272812 | 395272912 | 395273012 | 395273112 | 395273212 | 395273312 | 395273412 | 395273512 | 70.0 | 2.76 | 55.0 | 2.17 | 65.0 | 2.56 |
| 5.0mm. Euro Plug, Vertical FWE, Mounting Ends | 13 | 395272013 | 395272313 | 395272413 | 395272513 | 395272613 | 395272713 | 395272813 | 395272913 | 395273013 | 395273113 | 395273213 | 395273313 | 395273413 | 395273513 | 75.0 | 2.95 | 60.0 | 2.36 | 70.0 | 2.76 |
| 5.0mm. Euro Plug, Vertical FWE, Mounting Ends | 14 | 395272014 | 395272314 | 395272414 | 395272514 | 395272614 | 395272714 | 395272814 | 395272914 | 395273014 | 395273114 | 395273214 | 395273314 | 395273414 | 395273514 | 80.0 | 3.15 | 65.0 | 2.56 | 75.0 | 2.95 |
| 5.0mm. Euro Plug, Vertical FWE, Mounting Ends | 15 | 395272015 | 395272315 | 395272415 | 395272515 | 395272615 | 395272715 | 395272815 | 395272915 | 395273015 | 395273115 | 395273215 | 395273315 | 395273415 | 395273515 | 85.0 | 3.35 | 70.0 | 2.76 | 80.0 | 3.15 |
| 5.0mm. Euro Plug, Vertical FWE, Mounting Ends | 16 | 395272016 | 395272316 | 395272416 | 395272516 | 395272616 | 395272716 | 395272816 | 395272916 | 395273016 | 395273116 | 395273216 | 395273316 | 395273416 | 395273516 | 90.0 | 3.54 | 75.0 | 2.95 | 85.0 | 3.35 |
| 5.0mm. Euro Plug, Vertical FWE, Mounting Ends | 17 | 395272017 | 395272317 | 395272417 | 395272517 | 395272617 | 395272717 | 395272817 | 395272917 | 395273017 | 395273117 | 395273217 | 395273317 | 395273417 | 395273517 | 95.0 | 3.74 | 80.0 | 3.15 | 90.0 | 3.54 |
| 5.0mm. Euro Plug, Vertical FWE, Mounting Ends | 18 | 395272018 | 395272318 | 395272418 | 395272518 | 395272618 | 395272718 | 395272818 | 395272918 | 395273018 | 395273118 | 395273218 | 395273318 | 395273418 | 395273518 | 100.0 | 3.94 | 85.0 | 3.35 | 95.0 | 3.74 |
| 5.0mm. Euro Plug, Vertical FWE, Mounting Ends | 19 | 395272019 | 395272319 | 395272419 | 395272519 | 395272619 | 395272719 | 395272819 | 395272919 | 395273019 | 395273119 | 395273219 | 395273319 | 395273419 | 395273519 | 105.0 | 4.13 | 90.0 | 3.54 | 100.0 | 3.94 |
| 5.0mm. Euro Plug, Vertical FWE, Mounting Ends | 20 | 395272020 | 395272320 | 395272420 | 395272520 | 395272620 | 395272720 | 395272820 | 395272920 | 395273020 | 395273120 | 395273220 | 395273320 | 395273420 | 395273520 | 110.0 | 4.33 | 95.0 | 3.74 | 105.0 | 4.13 |
| 5.0mm. Euro Plug, Vertical FWE, Mounting Ends | 21 | 395272021 | 395272321 | 395272421 | 395272521 | 395272621 | 395272721 | 395272821 | 395272921 | 395273021 | 395273121 | 395273221 | 395273321 | 395273421 | 395273521 | 115.0 | 4.53 | 100.0 | 3.94 | 110.0 | 4.33 |
| 5.0mm. Euro Plug, Vertical FWE, Mounting Ends | 22 | 395272022 | 395272322 | 395272422 | 395272522 | 395272622 | 395272722 | 395272822 | 395272922 | 395273022 | 395273122 | 395273222 | 395273322 | 395273422 | 395273522 | 120.0 | 4.72 | 105.0 | 4.13 | 115.0 | 4.53 |
| 5.0mm. Euro Plug, Vertical FWE, Mounting Ends | 23 | 395272023 | 395272323 | 395272423 | 395272523 | 395272623 | 395272723 | 395272823 | 395272923 | 395273023 | 395273123 | 395273223 | 395273323 | 395273423 | 395273523 | 125.0 | 4.92 | 110.0 | 4.33 | 120.0 | 4.72 |
| 5.0mm. Euro Plug, Vertical FWE, Mounting Ends | 24 | 395272024 | 395272324 | 395272424 | 395272524 | 395272624 | 395272724 | 395272824 | 395272924 | 395273024 | 395273124 | 395273224 | 395273324 | 395273424 | 395273524 | 130.0 | 5.12 | 115.0 | 4.53 | 125.0 | 4.92 |

| TOLERANCES | | | |
|------------|-------|-----------|-------|
| MM | TOL | INCH | TOL |
| 0-6 | ±0.25 | 0-.24 | ±.010 |
| >6-30 | ±0.40 | .24-1.18 | ±.016 |
| >30-120 | ±0.50 | 1.18-4.76 | ±.020 |
| >120 | ±0.80 | >4.76 | ±.031 |

REVISED DOC TOL
 EC NO: PG2017-0861
 DRAWN: CRADDOREWS 2017/03/17Z
 CHKD:
 APPR: BRUPERT 2017/04/18

QUALITY SYMBOLS
 ▽=0
 ▽=0
 A1

GENERAL TOLERANCES (UNLESS SPECIFIED)

| | mm | INCH |
|----------------|-------|-------|
| 4 PLACES | ± --- | ± --- |
| 3 PLACES | ± --- | ± --- |
| 2 PLACES | ± --- | ± --- |
| 1 PLACE | ± --- | ± --- |
| ANGULAR ± ---° | | |

DRAFT WHERE APPLICABLE
 MUST REMAIN WITHIN DIMENSIONS

DIMENSION STYLE
 MM/IN

DRAWN BY DATE
 C. YORK 2006/03/16

CHECKED BY DATE
 R. DEROSS 2006/03/16

APPROVED BY DATE
 R. DEROSS 2006/03/16

MATERIAL NO.
 SEE CHART

SIZE
 B

SCALE
 INCH

DESIGN UNITS
 INCH

THIRD ANGLE PROJECTION

5.0MM, EURO PLUG, VERTICAL, FRONT WIRE ENTRY WITH MOUNTING ENDS

moLEX MOLEX INCORPORATED

DOCUMENT NO.
 SD-39527-002

SHEET NO.
 2 OF 2

THIS DRAWING CONTAINS INFORMATION THAT IS PROPRIETARY TO MOLEX INCORPORATED AND SHOULD NOT BE USED WITHOUT WRITTEN PERMISSION