



Chipsmall Limited consists of a professional team with an average of over 10 year of expertise in the distribution of electronic components. Based in Hongkong, we have already established firm and mutual-benefit business relationships with customers from,Europe,America and south Asia,supplying obsolete and hard-to-find components to meet their specific needs.

With the principle of “Quality Parts,Customers Priority,Honest Operation,and Considerate Service”,our business mainly focus on the distribution of electronic components. Line cards we deal with include Microchip,ALPS,ROHM,Xilinx,Pulse,ON,Everlight and Freescale. Main products comprise IC,Modules,Potentiometer,IC Socket,Relay,Connector.Our parts cover such applications as commercial,industrial, and automotives areas.

We are looking forward to setting up business relationship with you and hope to provide you with the best service and solution. Let us make a better world for our industry!



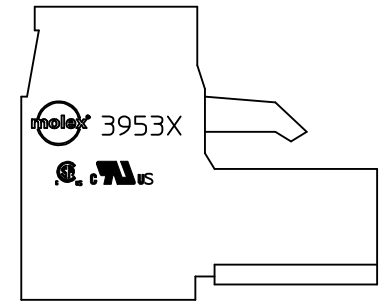
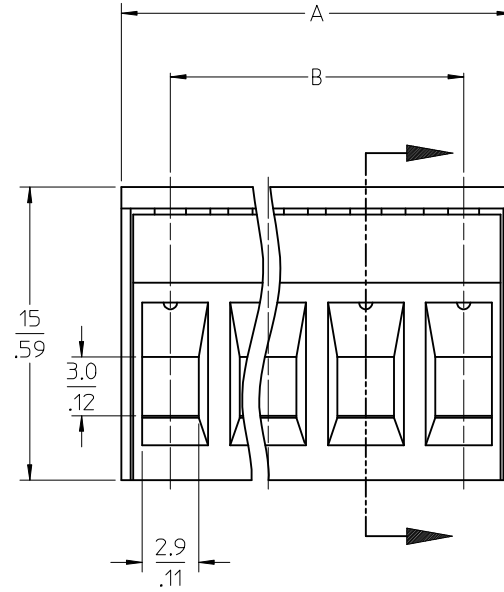
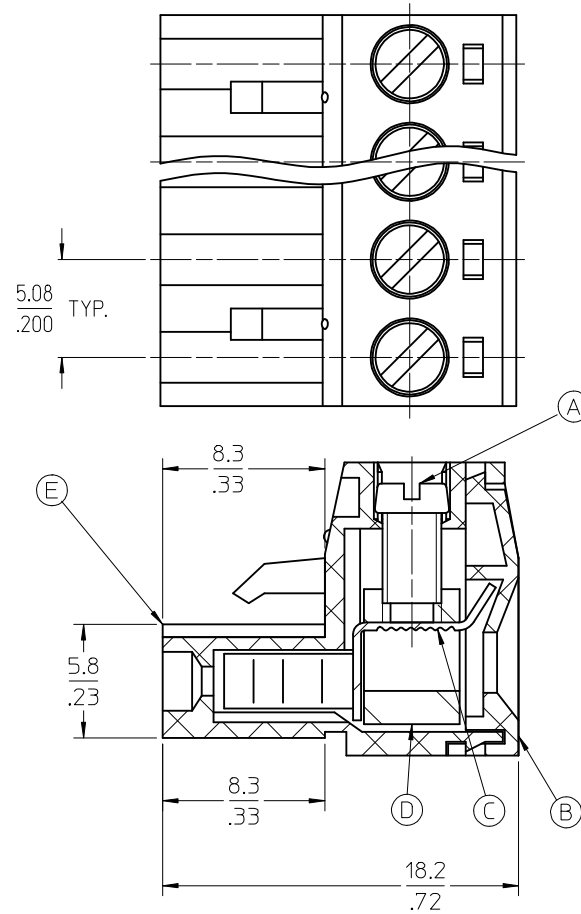
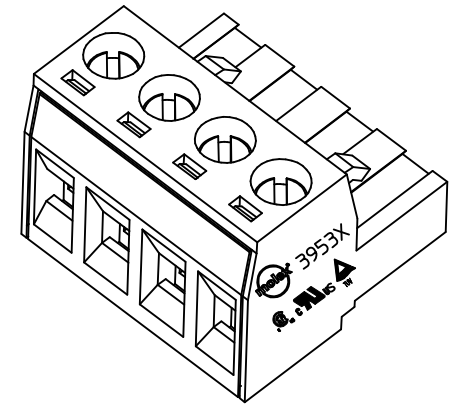
Contact us

Tel: +86-755-8981 8866 Fax: +86-755-8427 6832

Email & Skype: info@chipsmall.com Web: www.chipsmall.com

Address: A1208, Overseas Decoration Building, #122 Zhenhua RD., Futian, Shenzhen, China





SPECIFICATIONS:

1. MATERIAL:
 - (A). SCREW: M3, STEEL, ZINC PLATED
 - (B). COVER: NYLON
 - (C). TERMINAL MATERIAL: Cu ALLOY
 - TERMINAL FINISH:
 - a. TIN/NICKEL
 - b. GOLD/NICKEL
 - (D). CAGE: BRASS, NICKEL PLATED
 - (E). BODY: NYLON

2. WIRE RANGE: 12 - 30 AWG
3. ELECTRICAL RATING: 300V, 15A
4. WIRE STRIP LENGTH: 5.0mm
5. OPERATING TEMPERATURE: -40°C TO +115°C
6. MAX TORQUE: 5 In-Lbs.
7. NUMBER OF POSITIONS AVAILABLE = 2 THROUGH 24
8. PRODUCT SPEC: PS-39500-001
9. ASSEMBLY IS ROHS COMPLIANT


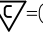
TOLERANCES			
MM	TOL	INCH	TOL
0-6	±0.25	0-.24	±.010
>6-30	±0.40	.24-1.18	±.016
>30-120	±0.50	1.18-4.76	±.020
>120	±0.80	>4.76	±.031

REVISED DOC TOL EC NO: IPG2017-0861 DRAWN: CRADDOREWS 2017/03/23 CHKD: APPR: BRUPERT 2017/04/18	QUALITY SYMBOLS	GENERAL TOLERANCES (UNLESS SPECIFIED)	DIMENSION STYLE	SCALE	DESIGN UNITS	THIRD ANGLE PROJECTION	
	▼=0 ∇=0	mm INCH 4 PLACES ±--- ±--- 3 PLACES ±--- ±--- 2 PLACES ±--- ±--- 1 PLACE ±--- ±--- ANGULAR ±---°	MM/IN	DRAWN BY DATE LROTHAUS 12/6/05 CHECKED BY DATE C. YORK 01/04/06 APPROVED BY DATE J. PAWLICKI 01/10/06	INCH	5.08MM, EURO PLUG, RIGHT ANGLE	Molex MOLEX INCORPORATED
	DRAFT WHERE APPLICABLE MUST REMAIN WITHIN DIMENSIONS	SEE SHT. 2	MATERIAL NO.	DOCUMENT NO.	SHEET NO.		
		SIZE B	THIS DRAWING CONTAINS INFORMATION THAT IS PROPRIETARY TO MOLEX INCORPORATED AND SHOULD NOT BE USED WITHOUT WRITTEN PERMISSION				

Description	Circuit Size	Material Numbers												Dimensional Information			
		Black						Green						Dim. A		Dim B	
		100% Tin			30 u" Gold			100% Tin			30 u" Gold			mm	inch	mm	inch
		Plating Options			Plating Options			Plating Options			Plating Options						
	None	10A	11A	None	10A	11A	None	10A	11A	None	10A	11A					
5.08mm, Euro Plug, Right Angle	2	395300102	395300102	395300102	395300102	395300102	395300102	395300102	395300102	395300102	395300102	395300102	395300102	10.16	0.400	5.08	0.200
5.08mm, Euro Plug, Right Angle	3	395300103	395300103	395300103	395300103	395300103	395300103	395300103	395300103	395300103	395300103	395300103	395300103	15.24	0.600	10.16	0.400
5.08mm, Euro Plug, Right Angle	4	395300104	395300104	395300104	395300104	395300104	395300104	395300104	395300104	395300104	395300104	395300104	395300104	20.32	0.800	15.24	0.600
5.08mm, Euro Plug, Right Angle	5	395300105	395300105	395300105	395300105	395300105	395300105	395300105	395300105	395300105	395300105	395300105	395300105	25.40	1.000	20.32	0.800
5.08mm, Euro Plug, Right Angle	6	395300106	395300106	395300106	395300106	395300106	395300106	395300106	395300106	395300106	395300106	395300106	395300106	30.48	1.200	25.40	1.000
5.08mm, Euro Plug, Right Angle	7	395300107	395300107	395300107	395300107	395300107	395300107	395300107	395300107	395300107	395300107	395300107	395300107	35.56	1.400	30.48	1.200
5.08mm, Euro Plug, Right Angle	8	395300108	395300108	395300108	395300108	395300108	395300108	395300108	395300108	395300108	395300108	395300108	395300108	40.64	1.600	35.56	1.400
5.08mm, Euro Plug, Right Angle	9	395300109	395300109	395300109	395300109	395300109	395300109	395300109	395300109	395300109	395300109	395300109	395300109	45.72	1.800	40.64	1.600
5.08mm, Euro Plug, Right Angle	10	395300110	395300110	395300110	395300110	395300110	395300110	395300110	395300110	395300110	395300110	395300110	395300110	50.80	2.000	45.72	1.800
5.08mm, Euro Plug, Right Angle	11	395300111	395300111	395300111	395300111	395300111	395300111	395300111	395300111	395300111	395300111	395300111	395300111	55.88	2.200	50.80	2.000
5.08mm, Euro Plug, Right Angle	12	395300112	395300112	395300112	395300112	395300112	395300112	395300112	395300112	395300112	395300112	395300112	395300112	60.96	2.400	55.88	2.200
5.08mm, Euro Plug, Right Angle	13	395300113	395300113	395300113	395300113	395300113	395300113	395300113	395300113	395300113	395300113	395300113	395300113	66.04	2.600	60.96	2.400
5.08mm, Euro Plug, Right Angle	14	395300114	395300114	395300114	395300114	395300114	395300114	395300114	395300114	395300114	395300114	395300114	395300114	71.12	2.800	66.04	2.600
5.08mm, Euro Plug, Right Angle	15	395300115	395300115	395300115	395300115	395300115	395300115	395300115	395300115	395300115	395300115	395300115	395300115	76.20	3.000	71.12	2.800
5.08mm, Euro Plug, Right Angle	16	395300116	395300116	395300116	395300116	395300116	395300116	395300116	395300116	395300116	395300116	395300116	395300116	81.28	3.200	76.20	3.000
5.08mm, Euro Plug, Right Angle	17	395300117	395300117	395300117	395300117	395300117	395300117	395300117	395300117	395300117	395300117	395300117	395300117	86.36	3.400	81.28	3.200
5.08mm, Euro Plug, Right Angle	18	395300118	395300118	395300118	395300118	395300118	395300118	395300118	395300118	395300118	395300118	395300118	395300118	91.44	3.600	86.36	3.400
5.08mm, Euro Plug, Right Angle	19	395300119	395300119	395300119	395300119	395300119	395300119	395300119	395300119	395300119	395300119	395300119	395300119	96.52	3.800	91.44	3.600
5.08mm, Euro Plug, Right Angle	20	395300120	395300120	395300120	395300120	395300120	395300120	395300120	395300120	395300120	395300120	395300120	395300120	101.60	4.000	96.52	3.800
5.08mm, Euro Plug, Right Angle	21	395300121	395300121	395300121	395300121	395300121	395300121	395300121	395300121	395300121	395300121	395300121	395300121	106.68	4.200	101.60	4.000
5.08mm, Euro Plug, Right Angle	22	395300122	395300122	395300122	395300122	395300122	395300122	395300122	395300122	395300122	395300122	395300122	395300122	111.76	4.400	106.68	4.200
5.08mm, Euro Plug, Right Angle	23	395300123	395300123	395300123	395300123	395300123	395300123	395300123	395300123	395300123	395300123	395300123	395300123	116.84	4.600	111.76	4.400
5.08mm, Euro Plug, Right Angle	24	395300124	395300124	395300124	395300124	395300124	395300124	395300124	395300124	395300124	395300124	395300124	395300124	121.92	4.800	116.84	4.600

TOLERANCES			
MM	TOL	INCH	TOL
0-6	±0.25	0-.24	±.010
>6-30	±0.40	.24-1.18	±.016
>30-120	±0.50	1.18-4.76	±.020
>120	±0.80	>4.76	±.031

REVISED DOC TOL
 EC NO: IFC2017-0861
 DRAWN: CRADDOREWS 2017/03/23
 CHKD:
 APPR: BRUPERT 2017/04/18

QUALITY SYMBOLS
 = 0
 = 0.07

GENERAL TOLERANCES (UNLESS SPECIFIED)

	mm	INCH
4 PLACES	± ---	± ---
3 PLACES	± ---	± ---
2 PLACES	± ---	± ---
1 PLACE	± ---	± ---
ANGULAR ± ---°		

DRAFT WHERE APPLICABLE
 MUST REMAIN WITHIN DIMENSIONS

DIMENSION STYLE
 MM/IN

DRAWN BY DATE
 LROTHAUS 12/6/05

CHECKED BY DATE
 C. YORK 01/04/06

APPROVED BY DATE
 J. PAWLICKI 01/10/06

MATERIAL NO.
 SEE CHART

SIZE
 B

SCALE
 INCH

DESIGN UNITS
 INCH

THIRD ANGLE PROJECTION

TITLE
 5.08MM, EURO PLUG, RIGHT ANGLE

MOLEX INCORPORATED

DOCUMENT NO.
 SD-39530-001

SHEET NO.
 2 OF 2

THIS DRAWING CONTAINS INFORMATION THAT IS PROPRIETARY TO MOLEX INCORPORATED AND SHOULD NOT BE USED WITHOUT WRITTEN PERMISSION