



Chipsmall Limited consists of a professional team with an average of over 10 year of expertise in the distribution of electronic components. Based in Hongkong, we have already established firm and mutual-benefit business relationships with customers from,Europe,America and south Asia,supplying obsolete and hard-to-find components to meet their specific needs.

With the principle of "Quality Parts,Customers Priority,Honest Operation,and Considerate Service",our business mainly focus on the distribution of electronic components. Line cards we deal with include Microchip,ALPS,ROHM,Xilinx,Pulse,ON,Everlight and Freescale. Main products comprise IC,Modules,Potentiometer,IC Socket,Relay,Connector.Our parts cover such applications as commercial,industrial, and automotives areas.

We are looking forward to setting up business relationship with you and hope to provide you with the best service and solution. Let us make a better world for our industry!



## Contact us

Tel: +86-755-8981 8866 Fax: +86-755-8427 6832

Email & Skype: info@chipsmall.com Web: www.chipsmall.com

Address: A1208, Overseas Decoration Building, #122 Zhenhua RD., Futian, Shenzhen, China



6

5

4

3

2

1

SPECIFICATIONS:

1. Material:

- (1). Body: PA66, UL94V-0
- (2). Nut: M2.5, Brass, Zn plated
- (3). Contact: Brass, Tin plated
- (4). Fixed bolt: PA66, UL94V-0

2. Wire range: 12 - 24 AWG

3. Electrical rating: 300V, 10A.

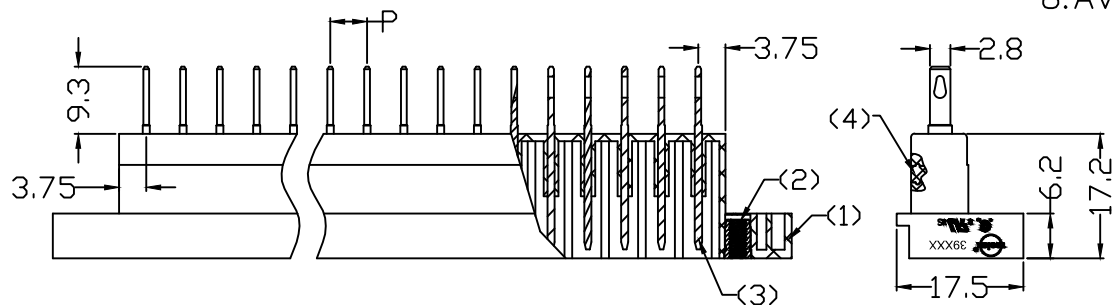
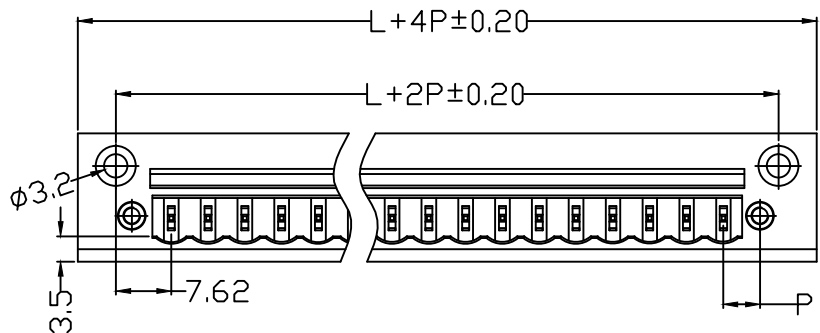
4. Dielectric withstand: AC 2500V for 1 minute.

5. Insulation resistance: DC 500V, 500MΩ.

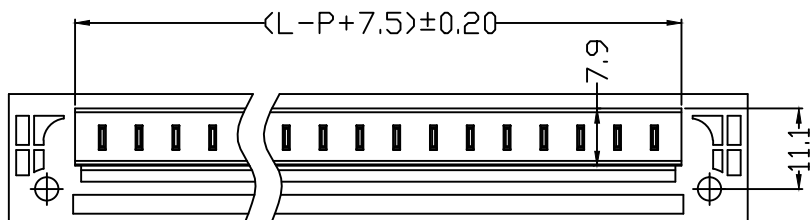
6. Breakdown voltage: 4000V.

7. Operating temperature: -40? to 105?.

8. Available positions number is from 2 to 16.



P=Center to Center Spacing  
=5.08(.200)  
N=No of Positions  
L=N x P  
Dimension: mm



E

D

C

B

A

E

D

C

B

A

RELEASE EC NO: WNA2011-0463 DRWN: TWOLDEGE 2011/03/17 CHKD: BRUPERT APPR: JFMURPHY 2011/04/11	DESCRIPTION REV 1	QUALITY SYMBOLS	GENERAL TOLERANCES (UNLESS SPECIFIED)		DIMENSION STYLE	SCALE	DESIGN UNITS	THIRD ANGLE PROJECTION			
		$\nabla = 0$ $\sphericalangle = 0$	mm	INCH	--	1:1	METRIC				
			4 PLACES	±--	±--	DRAWN BY	DATE	TITLE			
			3 PLACES	±--	±.005	TWOLDEGE	2011/03/17	TERMINAL BLOCK			
	2 PLACES	±0.13	±.010	CHECKED BY	DATE	5.08MM ERO HEADER VERT					
	1 PLACE	±0.25	±.020	BRUPERT	---	12-20 AWG BLACK NYLON					
				APPROVED BY	DATE	MOLEX INCORPORATED					
				JFMURPHY	2011/04/11	MOLEX INCORPORATED					
				ANGULAR ±1/2°		MATERIAL NO.	DOCUMENT NO.	SHEET NO.			
				DRAFT WHERE APPLICABLE MUST REMAIN WITHIN DIMENSIONS		SEE TABLE	SD-39531-004	1 OF 2			
				SIZE	THIS DRAWING CONTAINS INFORMATION THAT IS PROPRIETARY TO MOLEX INCORPORATED AND SHOULD NOT BE USED WITHOUT WRITTEN PERMISSION						
				A							

6

5

4

3

2

1

6

5

4

3

2

1

E

E

MATERIAL NUMBER	DESCRIPTION
395312002	5.08MM EURO HEADER VERTICAL BLACK 2CKT
395312003	5.08MM EURO HEADER VERTICAL BLACK 3CKT
395312004	5.08MM EURO HEADER VERTICAL BLACK 4CKT
395312005	5.08MM EURO HEADER VERTICAL BLACK 5CKT
395312006	5.08MM EURO HEADER VERTICAL BLACK 6CKT
395312007	5.08MM EURO HEADER VERTICAL BLACK 7CKT
395312008	5.08MM EURO HEADER VERTICAL BLACK 8CKT
395312009	5.08MM EURO HEADER VERTICAL BLACK 9CKT
395312010	5.08MM EURO HEADER VERTICAL BLACK 10CKT
395312011	5.08MM EURO HEADER VERTICAL BLACK 11CKT
395312012	5.08MM EURO HEADER VERTICAL BLACK 12CKT
395312013	5.08MM EURO HEADER VERTICAL BLACK 13CKT
395312014	5.08MM EURO HEADER VERTICAL BLACK 14CKT
395312015	5.08MM EURO HEADER VERTICAL BLACK 15CKT
395312016	5.08MM EURO HEADER VERTICAL BLACK 16CKT
395312017	5.08MM EURO HEADER VERTICAL BLACK 17CKT
395312018	5.08MM EURO HEADER VERTICAL BLACK 18CKT
395312019	5.08MM EURO HEADER VERTICAL BLACK 19CKT
395312020	5.08MM EURO HEADER VERTICAL BLACK 20CKT

D

D

C

C

B

B

A

A

RELEASE EC NO: WNA2011-0463 DRWN: TWOLDEGE 2011/03/17 CHKD: BRUPERT APPR: JFMURPHY 2011/04/11	QUALITY SYMBOLS  	GENERAL TOLERANCES (UNLESS SPECIFIED)		DIMENSION STYLE ---		SCALE 1:1	DESIGN UNITS METRIC	THIRD ANGLE PROJECTION		
			mm	INCH	DRAWN BY TWOLDEGE	DATE 2011/03/17	TITLE <b>TERMINAL BLOCK          5.08MM ERO HEADER VERT          12-20 AWG BLACK NYLON</b>			
		4 PLACES	±---	±---	CHECKED BY BRUPERT	DATE ---				
		3 PLACES	±---	±.005	APPROVED BY JFMURPHY		DATE 2011/04/11	<b>MOLEX INCORPORATED</b>		SHEET NO. 2 OF 2
2 PLACES	±0.13	±.010	MATERIAL NO. <b>SEE TABLE</b>		DOCUMENT NO. <b>SD-39531-004</b>					
1 PLACE	±0.25	±.020	ANGULAR ±1/2°		THIS DRAWING CONTAINS INFORMATION THAT IS PROPRIETARY TO MOLEX INCORPORATED AND SHOULD NOT BE USED WITHOUT WRITTEN PERMISSION					
DRAFT WHERE APPLICABLE MUST REMAIN WITHIN DIMENSIONS										

6

5

4

3

2

1