



Chipsmall Limited consists of a professional team with an average of over 10 year of expertise in the distribution of electronic components. Based in Hongkong, we have already established firm and mutual-benefit business relationships with customers from,Europe,America and south Asia,supplying obsolete and hard-to-find components to meet their specific needs.

With the principle of “Quality Parts,Customers Priority,Honest Operation,and Considerate Service”,our business mainly focus on the distribution of electronic components. Line cards we deal with include Microchip,ALPS,ROHM,Xilinx,Pulse,ON,Everlight and Freescale. Main products comprise IC,Modules,Potentiometer,IC Socket,Relay,Connector.Our parts cover such applications as commercial,industrial, and automotives areas.

We are looking forward to setting up business relationship with you and hope to provide you with the best service and solution. Let us make a better world for our industry!



Contact us

Tel: +86-755-8981 8866 Fax: +86-755-8427 6832

Email & Skype: info@chipsmall.com Web: www.chipsmall.com

Address: A1208, Overseas Decoration Building, #122 Zhenhua RD., Futian, Shenzhen, China



10 9 8 7 6 5 4 3 2 1

F

E

D

C

B

A

F

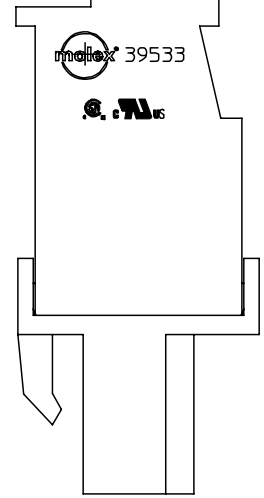
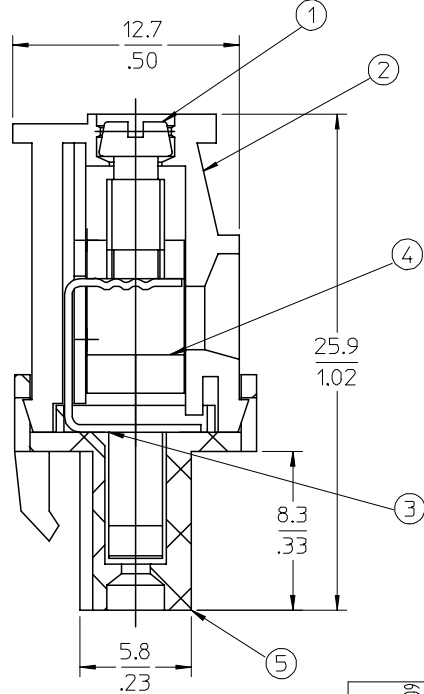
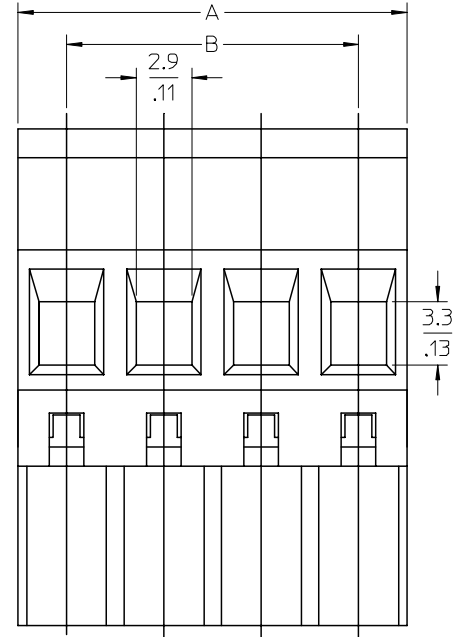
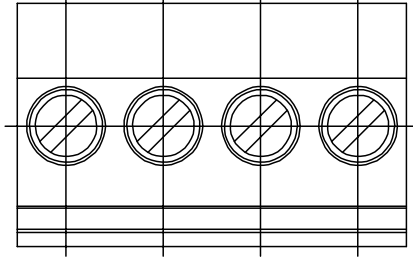
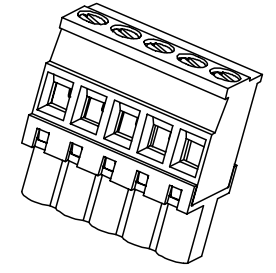
E

D

C

B

A



SPECIFICATIONS:

1. Material:
 - (1). Screw: Steel
 - (2). Cover: PA66
 - (3). Terminal: Phosphor Bronze
 - (4). Cage: Brass
 - (5). Body: PA66
2. Wire range: 12 - 26 AWG
3. Electrical rating: 300V, 15A.
4. Wire strip length: 5.0mm.
5. Operating temperature: -40C to +105C.
6. Max torque: 5 In Lbs.
7. Insulation resistance: DC 500V, 500M.
8. Dielectric withstand: AC 2500V for 1 minute.
9. Breakdown voltage: 4000V.
10. Contact resistance: <10 mW.
11. A = (N x P)
12. B = (N - 1) x P
13. P (PITCH) = 5.08mm (.200").
14. N = Number of positions available 2 through 24.

ENTER DESCRIPTION EC NO: NEO2006-0310 DRWNL: LROTHAUS 2006/01/09 CHKD: C YORK 2006/01/09 APPR: J PAMLIK 2006/01/10	QUALITY SYMBOLS ▽=0 ▽=0	GENERAL TOLERANCES (UNLESS SPECIFIED)		DIMENSION STYLE MM/IN		SCALE 4:1	DESIGN UNITS INCH	THIRD ANGLE PROJECTION		
		4 PLACES ± --- ± .0015	3 PLACES ± 0.038 ± .005	2 PLACES ± 0.13 ± .01	1 PLACE ± 0.3 ± ---	DRAWN BY LROTHAUS	DATE 12/6/05	TITLE 5.08MM, EURO PLUG, VERTICAL, FRONT WIRE ENTRY		
		ANGULAR ± 2 °				CHECKED BY C. YORK	DATE 01/06/06			
		DRAFT WHERE APPLICABLE MUST REMAIN WITHIN DIMENSIONS				APPROVED BY		MATERIAL NO. SEE CHART		DOCUMENT NO. SD-39533-002

9 8 7 6 5 4 3 2 1

Description	Circuit size	Material Numbers											Dimensional Information				
		Black						Green					Dim A		Dim B		
		100% Tin			30 u" Gold			100% Tin			30 u" Gold						
		Printing Options			Printing Options			Printing Options			Printing Options		mm	inch	mm	inch	
None	10AV	11AV	None	10AV	11AV	None	10AV	11AV	None	10AV	11AV	mm	inch	mm	inch		
5.08mm, Euro Plug, Vertical, Front Wire Entry	2	395332002	395332902	395332402	395332502	395332802	395332902	395337002	395337302	395337402	395337502	395337802	395337902	10.16	0.400	5.08	0.200
5.08mm, Euro Plug, Vertical, Front Wire Entry	3	395332003	395332903	395332403	395332503	395332803	395332903	395337003	395337303	395337403	395337503	395337803	395337903	15.24	0.600	10.16	0.400
5.08mm, Euro Plug, Vertical, Front Wire Entry	4	395332004	395332904	395332404	395332504	395332804	395332904	395337004	395337304	395337404	395337504	395337804	395337904	20.32	0.800	15.24	0.600
5.08mm, Euro Plug, Vertical, Front Wire Entry	5	395332005	395332905	395332405	395332505	395332805	395332905	395337005	395337305	395337405	395337505	395337805	395337905	25.40	1.000	20.32	0.800
5.08mm, Euro Plug, Vertical, Front Wire Entry	6	395332006	395332906	395332406	395332506	395332806	395332906	395337006	395337306	395337406	395337506	395337806	395337906	30.48	1.200	25.40	1.000
5.08mm, Euro Plug, Vertical, Front Wire Entry	7	395332007	395332907	395332407	395332507	395332807	395332907	395337007	395337307	395337407	395337507	395337807	395337907	35.56	1.400	30.48	1.200
5.08mm, Euro Plug, Vertical, Front Wire Entry	8	395332008	395332908	395332408	395332508	395332808	395332908	395337008	395337308	395337408	395337508	395337808	395337908	40.64	1.600	35.56	1.400
5.08mm, Euro Plug, Vertical, Front Wire Entry	9	395332009	395332909	395332409	395332509	395332809	395332909	395337009	395337309	395337409	395337509	395337809	395337909	45.72	1.800	40.64	1.600
5.08mm, Euro Plug, Vertical, Front Wire Entry	10	395332010	395332910	395332410	395332510	395332810	395332910	395337010	395337310	395337410	395337510	395337810	395337910	50.80	2.000	45.72	1.800
5.08mm, Euro Plug, Vertical, Front Wire Entry	11	395332011	395332911	395332411	395332511	395332811	395332911	395337011	395337311	395337411	395337511	395337811	395337911	55.88	2.200	50.80	2.000
5.08mm, Euro Plug, Vertical, Front Wire Entry	12	395332012	395332912	395332412	395332512	395332812	395332912	395337012	395337312	395337412	395337512	395337812	395337912	60.96	2.400	55.88	2.200
5.08mm, Euro Plug, Vertical, Front Wire Entry	13	395332013	395332913	395332413	395332513	395332813	395332913	395337013	395337313	395337413	395337513	395337813	395337913	66.04	2.600	60.96	2.400
5.08mm, Euro Plug, Vertical, Front Wire Entry	14	395332014	395332914	395332414	395332514	395332814	395332914	395337014	395337314	395337414	395337514	395337814	395337914	71.12	2.800	66.04	2.600
5.08mm, Euro Plug, Vertical, Front Wire Entry	15	395332015	395332915	395332415	395332515	395332815	395332915	395337015	395337315	395337415	395337515	395337815	395337915	76.20	3.000	71.12	2.800
5.08mm, Euro Plug, Vertical, Front Wire Entry	16	395332016	395332916	395332416	395332516	395332816	395332916	395337016	395337316	395337416	395337516	395337816	395337916	81.28	3.200	76.20	3.000
5.08mm, Euro Plug, Vertical, Front Wire Entry	17	395332017	395332917	395332417	395332517	395332817	395332917	395337017	395337317	395337417	395337517	395337817	395337917	86.36	3.400	81.28	3.200
5.08mm, Euro Plug, Vertical, Front Wire Entry	18	395332018	395332918	395332418	395332518	395332818	395332918	395337018	395337318	395337418	395337518	395337818	395337918	91.44	3.600	86.36	3.400
5.08mm, Euro Plug, Vertical, Front Wire Entry	19	395332019	395332919	395332419	395332519	395332819	395332919	395337019	395337319	395337419	395337519	395337819	395337919	96.52	3.800	91.44	3.600
5.08mm, Euro Plug, Vertical, Front Wire Entry	20	395332020	395332920	395332420	395332520	395332820	395332920	395337020	395337320	395337420	395337520	395337820	395337920	101.60	4.000	96.52	3.800
5.08mm, Euro Plug, Vertical, Front Wire Entry	21	395332021	395332921	395332421	395332521	395332821	395332921	395337021	395337321	395337421	395337521	395337821	395337921	106.68	4.200	101.60	4.000
5.08mm, Euro Plug, Vertical, Front Wire Entry	22	395332022	395332922	395332422	395332522	395332822	395332922	395337022	395337322	395337422	395337522	395337822	395337922	111.76	4.400	106.68	4.200
5.08mm, Euro Plug, Vertical, Front Wire Entry	23	395332023	395332923	395332423	395332523	395332823	395332923	395337023	395337323	395337423	395337523	395337823	395337923	116.84	4.600	111.76	4.400
5.08mm, Euro Plug, Vertical, Front Wire Entry	24	395332024	395332924	395332424	395332524	395332824	395332924	395337024	395337324	395337424	395337524	395337824	395337924	121.92	4.800	116.84	4.400

SEE SHEET 1 EC NO: NEC02006-0310 DRWNL: LROTHAUS 2006/01/09 CHKDC: CYORK 2006/01/09 APPR: J.PAWLIK 2006/01/10	QUALITY SYMBOLS ▽=0 ▽=0	GENERAL TOLERANCES (UNLESS SPECIFIED) mm INCH 4 PLACES ± --- ±.0015 3 PLACES ±0.038 ±.005 2 PLACES ±0.13 ±.01 1 PLACE ±0.3 ± --- ANGULAR ± 2 °	DIMENSION STYLE MM/IN DRAWN BY DATE LROTHAUS 12/6/05 CHECKED BY DATE C. YORK 01/05/06 APPROVED BY DATE	SCALE 4:1 DESIGN UNITS INCH THIRD ANGLE PROJECTION	TITLE 5.08MM, EURO PLUG, VERTICAL, FRONT WIRE ENTRY	
	MATERIAL NO. SEE CHART	DOCUMENT NO. SD-39533-002	SHEET NO. 2 OF 2	MOLEX INCORPORATED		
	DRAFT WHERE APPLICABLE MUST REMAIN WITHIN DIMENSIONS			THIS DRAWING CONTAINS INFORMATION THAT IS PROPRIETARY TO MOLEX INCORPORATED AND SHOULD NOT BE USED WITHOUT WRITTEN PERMISSION		
	SIZE B					