



Chipsmall Limited consists of a professional team with an average of over 10 year of expertise in the distribution of electronic components. Based in Hongkong, we have already established firm and mutual-benefit business relationships with customers from,Europe,America and south Asia,supplying obsolete and hard-to-find components to meet their specific needs.

With the principle of “Quality Parts,Customers Priority,Honest Operation,and Considerate Service”,our business mainly focus on the distribution of electronic components. Line cards we deal with include Microchip,ALPS,ROHM,Xilinx,Pulse,ON,Everlight and Freescale. Main products comprise IC,Modules,Potentiometer,IC Socket,Relay,Connector.Our parts cover such applications as commercial,industrial, and automotives areas.

We are looking forward to setting up business relationship with you and hope to provide you with the best service and solution. Let us make a better world for our industry!



Contact us

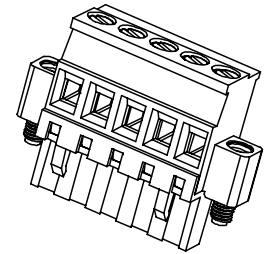
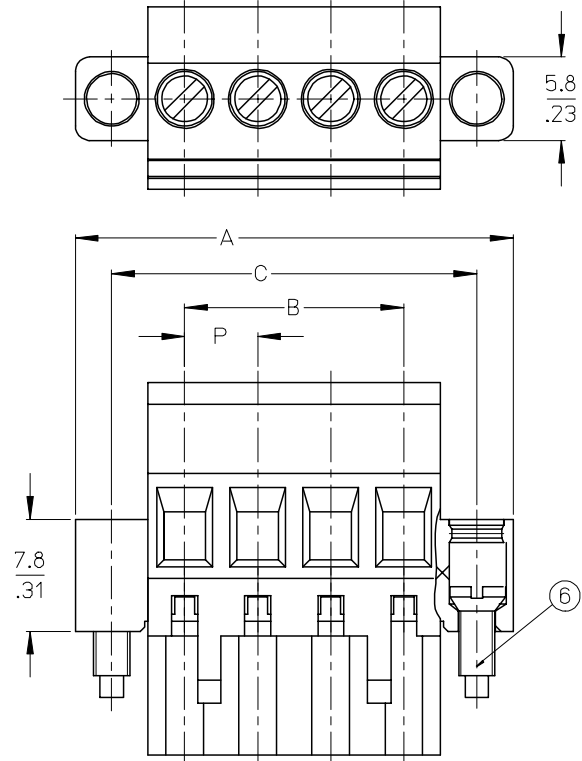
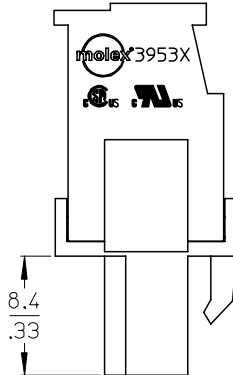
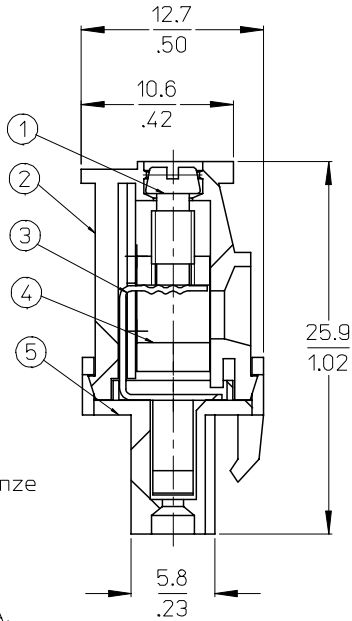
Tel: +86-755-8981 8866 Fax: +86-755-8427 6832

Email & Skype: info@chipsmall.com Web: www.chipsmall.com

Address: A1208, Overseas Decoration Building, #122 Zhenhua RD., Futian, Shenzhen, China



10 9 8 7 6 5 4 3 2 1



SPECIFICATIONS

1. Material:
 - (1). Screw: Steel
 - (2). Body: PA66
 - (3). Terminal: Phosphor Bronze
 - (4). Cage: Brass
 - (5). Cover: PA66
 - (6). Screw: Steel
2. Wire range: 12 - 26AWG
3. Electrical rating: 300V, 10A.
4. Wire strip length: 5.0mm.
5. Operating temperature: -40°C to +105°C.
6. Max torque: 3 in.-lbs.
7. Insulation resistance: DC 500V, 500 Megohms.
8. Dielectric withstand: AC 2500V for 1 minute
9. Breakdown voltage: 4000V
10. Contact resistance: <10 milliohms
11. DIM. A = (N + 2)X P
12. DIM. B = (N - 1)X P
13. DIM. C = (N + 1)X P
14. DIM. P (PITCH) = 5.08mm (.200")
15. N = Number of positions available 2 through 24.
16. ALL COMPONENTS ARE ROHS COMPLIANT.

RELEASE TO PROD EC NO: ETC2006-0308 DRWN: C YORK 2006/03/23 CHKD: R DEROSS 2006/03/24 APPR: R DEROSS 2006/03/24	QUALITY SYMBOLS ▽=0 ▽=0	GENERAL TOLERANCES (UNLESS SPECIFIED)		DIMENSION STYLE	SCALE	DESIGN UNITS	THIRD ANGLE PROJECTION	
				MM/IN	3:1	INCH		
				MM	INCH	DRAWN BY	DATE	TITLE
		4 PLACES	± ---	±.0015	C. YORK	2006/03/16	5.08MM, EURO PLUG, VERTICAL REAR WIRE ENTRY WITH MOUNTING ENDS	
3 PLACES	±0.038	±.005	CHECKED BY	DATE	MOLEX INCORPORATED			
2 PLACES	±0.13	±.01	R. DEROSS	2006/03/16				
1 PLACE	±0.3	± ---	APPROVED BY	DATE	SD-39537-001			
ANGULAR ± 2 °			R. DEROSS	2006/03/16				
DRAFT WHERE APPLICABLE MUST REMAIN WITHIN DIMENSIONS		MATERIAL NO. SEE SHT. 2		DOCUMENT NO.		SHEET NO.		
		SIZE B		THIS DRAWING CONTAINS INFORMATION THAT IS PROPRIETARY TO MOLEX INCORPORATED AND SHOULD NOT BE USED WITHOUT WRITTEN PERMISSION		1 OF 2		

9 8 7 6 5 4 3 2 1

F

E

D

C

B

A

Description	Circuit size	Material Numbers											Dimensional Information						
		Black						Green					Dim. A			Dim B		Dim C	
		100% Tin			30 u" Gold			100% Tin			30 u" Gold		mm	inch	mm	inch	mm	inch	
		Printing Options			Printing Options			Printing Options			Printing Options								
None	10AV	11AV	None	10AV	11AV	None	10AV	11AV	None	10AV	11AV	None	10AV	11AV					
5.08mm, Euro Plug, Vertical RWE, Mounting Ends	2	395373002	395373302	395373402	395373502	395373602	395373902	395378002	395378302	395378402	395378502	395378802	395378902	20.3	0.80	5.1	0.20	15.2	0.60
5.08mm, Euro Plug, Vertical RWE, Mounting Ends	3	395373003	395373303	395373403	395373503	395373603	395373903	395378003	395378303	395378403	395378503	395378803	395378903	25.4	1.00	10.2	0.40	20.3	0.80
5.08mm, Euro Plug, Vertical RWE, Mounting Ends	4	395373004	395373304	395373404	395373504	395373604	395373904	395378004	395378304	395378404	395378504	395378804	395378904	30.5	1.20	15.2	0.60	25.4	1.00
5.08mm, Euro Plug, Vertical RWE, Mounting Ends	5	395373005	395373305	395373405	395373505	395373605	395373905	395378005	395378305	395378405	395378505	395378805	395378905	35.6	1.40	20.3	0.80	30.5	1.20
5.08mm, Euro Plug, Vertical RWE, Mounting Ends	6	395373006	395373306	395373406	395373506	395373606	395373906	395378006	395378306	395378406	395378506	395378806	395378906	40.6	1.60	25.4	1.00	35.6	1.40
5.08mm, Euro Plug, Vertical RWE, Mounting Ends	7	395373007	395373307	395373407	395373507	395373607	395373907	395378007	395378307	395378407	395378507	395378807	395378907	45.7	1.80	30.5	1.20	40.6	1.60
5.08mm, Euro Plug, Vertical RWE, Mounting Ends	8	395373008	395373308	395373408	395373508	395373608	395373908	395378008	395378308	395378408	395378508	395378808	395378908	50.8	2.00	35.6	1.40	45.7	1.80
5.08mm, Euro Plug, Vertical RWE, Mounting Ends	9	395373009	395373309	395373409	395373509	395373609	395373909	395378009	395378309	395378409	395378509	395378809	395378909	55.9	2.20	40.6	1.60	50.8	2.00
5.08mm, Euro Plug, Vertical RWE, Mounting Ends	10	395373010	395373310	395373410	395373510	395373610	395373910	395378010	395378310	395378410	395378510	395378810	395378910	61.0	2.40	45.7	1.80	55.9	2.20
5.08mm, Euro Plug, Vertical RWE, Mounting Ends	11	395373011	395373311	395373411	395373511	395373611	395373911	395378011	395378311	395378411	395378511	395378811	395378911	66.0	2.60	50.8	2.00	61.0	2.40
5.08mm, Euro Plug, Vertical RWE, Mounting Ends	12	395373012	395373312	395373412	395373512	395373612	395373912	395378012	395378312	395378412	395378512	395378812	395378912	71.1	2.80	55.9	2.20	66.0	2.60
5.08mm, Euro Plug, Vertical RWE, Mounting Ends	13	395373013	395373313	395373413	395373513	395373613	395373913	395378013	395378313	395378413	395378513	395378813	395378913	76.2	3.00	61.0	2.40	71.1	2.80
5.08mm, Euro Plug, Vertical RWE, Mounting Ends	14	395373014	395373314	395373414	395373514	395373614	395373914	395378014	395378314	395378414	395378514	395378814	395378914	81.3	3.20	66.0	2.60	76.2	3.00
5.08mm, Euro Plug, Vertical RWE, Mounting Ends	15	395373015	395373315	395373415	395373515	395373615	395373915	395378015	395378315	395378415	395378515	395378815	395378915	86.4	3.40	71.1	2.80	81.3	3.20
5.08mm, Euro Plug, Vertical RWE, Mounting Ends	16	395373016	395373316	395373416	395373516	395373616	395373916	395378016	395378316	395378416	395378516	395378816	395378916	91.4	3.60	76.2	3.00	86.4	3.40
5.08mm, Euro Plug, Vertical RWE, Mounting Ends	17	395373017	395373317	395373417	395373517	395373617	395373917	395378017	395378317	395378417	395378517	395378817	395378917	96.5	3.80	81.3	3.20	91.4	3.60
5.08mm, Euro Plug, Vertical RWE, Mounting Ends	18	395373018	395373318	395373418	395373518	395373618	395373918	395378018	395378318	395378418	395378518	395378818	395378918	101.6	4.00	86.4	3.40	96.5	3.80
5.08mm, Euro Plug, Vertical RWE, Mounting Ends	19	395373019	395373319	395373419	395373519	395373619	395373919	395378019	395378319	395378419	395378519	395378819	395378919	106.7	4.20	91.4	3.60	101.6	4.00
5.08mm, Euro Plug, Vertical RWE, Mounting Ends	20	395373020	395373320	395373420	395373520	395373620	395373920	395378020	395378320	395378420	395378520	395378820	395378920	111.8	4.40	96.5	3.80	106.7	4.20
5.08mm, Euro Plug, Vertical RWE, Mounting Ends	21	395373021	395373321	395373421	395373521	395373621	395373921	395378021	395378321	395378421	395378521	395378821	395378921	116.9	4.60	101.6	4.00	111.8	4.40
5.08mm, Euro Plug, Vertical RWE, Mounting Ends	22	395373022	395373322	395373422	395373522	395373622	395373922	395378022	395378322	395378422	395378522	395378822	395378922	121.9	4.80	106.7	4.20	116.9	4.60
5.08mm, Euro Plug, Vertical RWE, Mounting Ends	23	395373023	395373323	395373423	395373523	395373623	395373923	395378023	395378323	395378423	395378523	395378823	395378923	127.0	5.00	111.8	4.40	121.9	4.80
5.08mm, Euro Plug, Vertical RWE, Mounting Ends	24	395373024	395373324	395373424	395373524	395373624	395373924	395378024	395378324	395378424	395378524	395378824	395378924	132.1	5.20	116.8	4.60	127.0	5.00

SEE SHEET 1 EC NO: ETC2006-0308 DRW:NYORK 2006/03/12 CHK:RDEROSS 2006/03/24 APPR:RDEROSS 2006/03/24	QUALITY SYMBOLS ▽=0 ▽=0	GENERAL TOLERANCES (UNLESS SPECIFIED) mm INCH 4 PLACES ± --- ±.0015 3 PLACES ±0.038 ±.005 2 PLACES ±0.13 ±.01 1 PLACE ±0.3 ± --- ANGULAR ± 2 °	DIMENSION STYLE MM/IN DRAWN BY DATE C. YORK 2006/03/16 CHECKED BY DATE R. DEROSS 2006/03/16 APPROVED BY DATE R. DEROSS 2006/03/16	SCALE 3:1 DESIGN UNITS INCH THIRD ANGLE PROJECTION	TITLE 5.08MM, EURO PLUG, VERTICAL REAR WIRE ENTRY WITH MOUNTING ENDS	
	MATERIAL NO. SEE CHART	DOCUMENT NO. SD-39537-001	SHEET NO. 2 OF 2			
	DRAFT WHERE APPLICABLE MUST REMAIN WITHIN DIMENSIONS			THIS DRAWING CONTAINS INFORMATION THAT IS PROPRIETARY TO MOLEX INCORPORATED AND SHOULD NOT BE USED WITHOUT WRITTEN PERMISSION		
	SIZE B					