



Chipsmall Limited consists of a professional team with an average of over 10 year of expertise in the distribution of electronic components. Based in Hongkong, we have already established firm and mutual-benefit business relationships with customers from,Europe,America and south Asia,supplying obsolete and hard-to-find components to meet their specific needs.

With the principle of “Quality Parts,Customers Priority,Honest Operation,and Considerate Service”,our business mainly focus on the distribution of electronic components. Line cards we deal with include Microchip,ALPS,ROHM,Xilinx,Pulse,ON,Everlight and Freescale. Main products comprise IC,Modules,Potentiometer,IC Socket,Relay,Connector.Our parts cover such applications as commercial,industrial, and automotives areas.

We are looking forward to setting up business relationship with you and hope to provide you with the best service and solution. Let us make a better world for our industry!



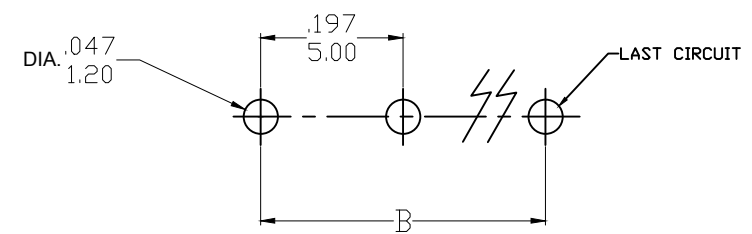
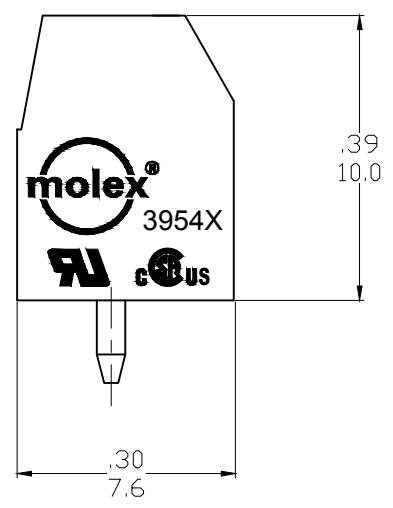
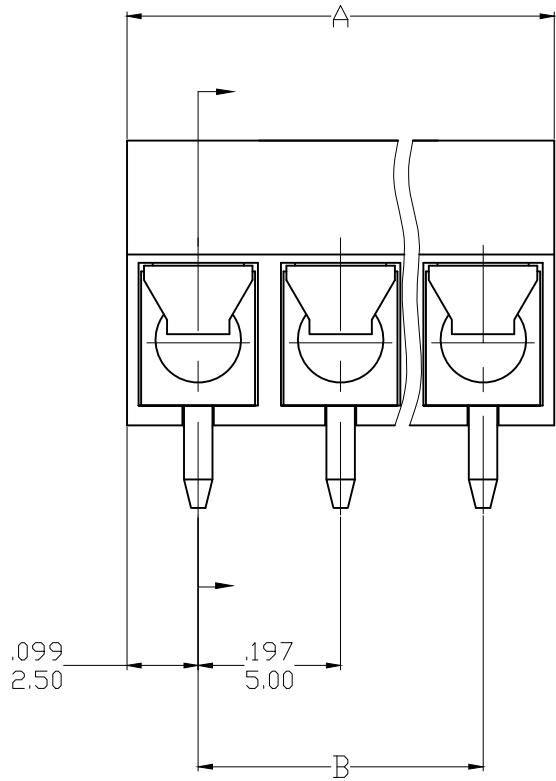
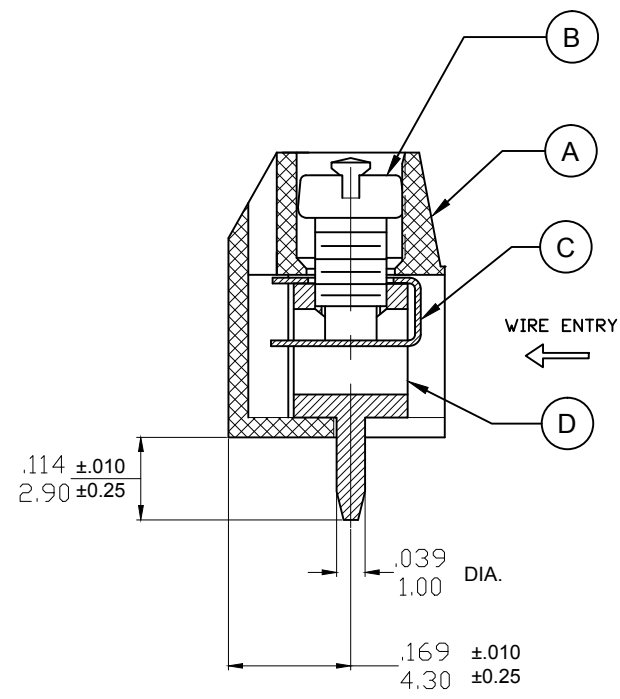
Contact us

Tel: +86-755-8981 8866 Fax: +86-755-8427 6832

Email & Skype: info@chipsmall.com Web: www.chipsmall.com

Address: A1208, Overseas Decoration Building, #122 Zhenhua RD., Futian, Shenzhen, China





Reference PCB Hole

SPECIFICATIONS

1. Material:

- A. Body: Nylon (PA66), UL94 V-0, color: see sheet 2
- B. Screw: Steel, M2.5, Zinc plated
- C. Contact: Brass, Nickel plated
- D. Terminal block: Brass, Tin Plated

2. Wire Rating: 22-14 AWG

3. Electrical rating: 300V, 10A

4. Power-Frequency withstand: AC 2500V/1min

5. Insulation resistance: DC500V 500MΩ or above

6. Rated impulse voltage: 4000V/minus and plus 5 times each.

7. Wire strip length: .28 (7.0mm.)

8. Screw Torque (max): 3.0 lbf.in(or 0.34 N.m).

9. Operating temperature: -40°to+105° C

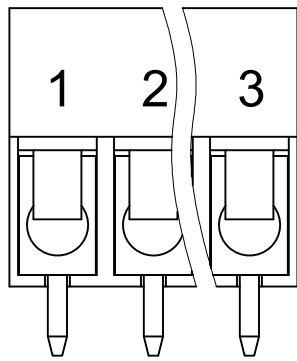
10. Number of circuits: 2 to 24, see sheet 2

TOLERANCES			
MM	TOL	INCH	TOL
0-6	±0.25	0-.24	±.010
>6-30	±0.40	.24-1.18	±.016
>30-120	±0.50	1.18-4.76	±.020
>120	±0.80	>4.76	±.031

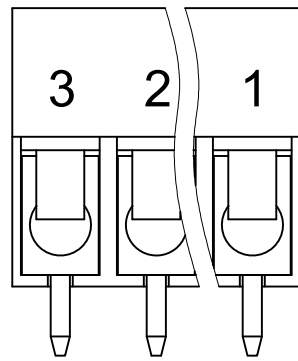
REVISED DOC TOL EC NO: IPG2017-0881 DRWN: ABENJAMI CHKD: --- APPR: BRUPERT 2016/05/05	QUALITY SYMBOLS ▽=0 ◻=0	GENERAL TOLERANCES (UNLESS SPECIFIED)		DIMENSION STYLE		SCALE	DESIGN UNITS	THIRD ANGLE PROJECTION		
		mm	INCH	IN/MM		4:1	METRIC			
		4 PLACES	±---	±---	DRAWN BY	DATE	TITLE			
		3 PLACES	±---	±---	RSTONE	2016/04/19	EURO TERMINAL BLOCK 5.00MM (.197) PITCH PC MOUNT, LOW PROFILE			
2 PLACES	±---	±---	CHECKED BY	DATE	MOLEX INCORPORATED					
1 PLACE	±---	±---	---	---	MATERIAL NO. SEE SHEET 2					
ANGULAR ±---°		DRAFT WHERE APPLICABLE MUST REMAIN WITHIN DIMENSIONS		APPROVED BY		DATE	DOCUMENT NO.	SHEET NO.		
				BRUPERT		2016/05/05	SD-39543-004	1 OF 2		
B1		REV		SIZE		THIS DRAWING CONTAINS INFORMATION THAT IS PROPRIETARY TO MOLEX INCORPORATED AND SHOULD NOT BE USED WITHOUT WRITTEN PERMISSION				
				B						

CIRCUITS	MATERIAL NUMBERS MOLDED TO LENGTH						DIMENSIONS			
	BLACK			GREEN						
	PRINTING OPTIONS			PRINTING OPTIONS			A IN	mm	B IN	mm
2	NONE	10A	11A	NONE	10A	11A	.39	10.0	.197	5.00
3	395430602	395431602	395432602	395930602	395931602	395932602	.59	15.0	.394	10.00
4	395430603	395431603	395432603	395930603	395931603	395932603	.79	20.0	.591	15.00
5	395430604	395431604	395432604	395930604	395931604	395932604	.98	25.0	.787	20.00
6	395430605	395431605	395432605	395930605	395931605	395932605	1.18	30.0	.984	25.00
7	395430606	395431606	395432606	395930606	395931606	395932606	1.38	35.0	1.181	30.00
8	395430607	395431607	395432607	395930607	395931607	395932607	1.57	40.0	1.378	35.00
9	395430608	395431608	395432608	395930608	395931608	395932608	1.77	45.0	1.575	40.00
10	395430609	395431609	395432609	395930609	395931609	395932609	1.97	50.0	1.772	45.00
11	395430610	395431610	395432610	395930610	395931610	395932610	2.17	55.0	1.969	50.00
12	395430611	395431611	395432611	395930611	395931611	395932611	2.36	60.0	2.165	55.00
13	395430612	395431612	395432612	395930612	395931612	395932612	2.56	65.0	2.362	60.00
14	395430613	395431613	395432613	395930613	395931613	395932613	2.76	70.0	2.559	65.00
15	395430614	395431614	395432614	395930614	395931614	395932614	2.95	75.0	2.756	70.00
16	395430615	395431615	395432615	395930615	395931615	395932615	3.15	80.0	2.953	75.00
17	395430616	395431616	395432616	395930616	395931616	395932616	3.35	85.0	3.150	80.00
18	395430617	395431617	395432617	395930617	395931617	395932617	3.54	90.0	3.346	85.00
19	395430618	395431618	395432618	395930618	395931618	395932618	3.74	95.0	3.543	90.00
20	395430619	395431619	395432619	395930619	395931619	395932619	3.94	100.0	3.740	95.00
21	395430620	395431620	395432620	395930620	395931620	395932620	4.13	105.0	3.937	100.00
22	395430621	395431621	395432621	395930621	395931621	395932621	4.33	110.0	4.134	105.00
23	395430622	395431622	395432622	395930622	395931622	395932622	4.53	115.0	4.331	110.00
24	395430623	395431623	395432623	395930623	395931623	395932623	4.72	120.0	4.528	115.00
24	395430624	395431624	395432624	395930624	395931624	395932624				

TOLERANCES			
MM	TOL	INCH	TOL
0-6	±0.25	0-.24	±.010
>6-30	±0.40	.24-1.18	±.016
>30-120	±0.50	1.18-4.76	±.020
>120	±0.80	>4.76	±.031



REF. 10A PRINT OPT.



REF. 11A PRINT OPT.

REVISED DOC TOL EC NO: IPG2017-0881 DRWN: ABENJAMI CHKD: --- APPR: BRUPERT 2016/05/05 4/5/17 DESCRIPTION REV	QUALITY SYMBOLS	GENERAL TOLERANCES (UNLESS SPECIFIED)		DIMENSION STYLE		SCALE	DESIGN UNITS	THIRD ANGLE PROJECTION
	▽=0 ∇=0	mm	INCH	IN/MM		4:1	METRIC	
		4 PLACES ±---	±---	DRAWN BY DATE		TITLE		
		3 PLACES ±---	±---	RSTONE 2016/04/19		EURO TERMINAL BLOCK 5.00MM (.197) PITCH PC MOUNT, LOW PROFILE		
	2 PLACES ±---	±---	CHECKED BY DATE		MOLEX INCORPORATED			
	1 PLACE ±---	±---	APPROVED BY DATE		DOCUMENT NO.			
	ANGULAR ±---°	DRAFT WHERE APPLICABLE MUST REMAIN WITHIN DIMENSIONS		BRUPERT 2016/05/05		SD-39543-004		SHEET NO.
		SEE TABLE		MATERIAL NO.		2 OF 2		
		SIZE B		THIS DRAWING CONTAINS INFORMATION THAT IS PROPRIETARY TO MOLEX INCORPORATED AND SHOULD NOT BE USED WITHOUT WRITTEN PERMISSION				

10 9 8 7 6 5 4 3 2 1

Description	Circuit Size	National Numbers						Dimensional Information			
		Black			Green			Dim. A mm inch mm inch			
		100% Tin			100% Tin						
		Printing Options			Printing Options						
None	10A	11A	None	10A	11A						
5.0mm Euro Block, PC Mount, Vertical, Low Profile	2	395430602	395431802	395432602	395930602	395931802	395932602	10.00	0.394	5.00	0.197
5.0mm Euro Block, PC Mount, Vertical, Low Profile	3	395430603	395431803	395432603	395930603	395931803	395932603	15.00	0.591	10.00	0.394
5.0mm Euro Block, PC Mount, Vertical, Low Profile	4	395430604	395431804	395432604	395930604	395931804	395932604	20.00	0.787	15.00	0.591
5.0mm Euro Block, PC Mount, Vertical, Low Profile	5	395430605	395431805	395432605	395930605	395931805	395932605	25.00	0.984	20.00	0.787
5.0mm Euro Block, PC Mount, Vertical, Low Profile	6	395430606	395431806	395432606	395930606	395931806	395932606	30.00	1.181	25.00	0.984
5.0mm Euro Block, PC Mount, Vertical, Low Profile	7	395430607	395431807	395432607	395930607	395931807	395932607	35.00	1.378	30.00	1.181
5.0mm Euro Block, PC Mount, Vertical, Low Profile	8	395430608	395431808	395432608	395930608	395931808	395932608	40.00	1.575	35.00	1.378
5.0mm Euro Block, PC Mount, Vertical, Low Profile	9	395430609	395431809	395432609	395930609	395931809	395932609	45.00	1.772	40.00	1.575
5.0mm Euro Block, PC Mount, Vertical, Low Profile	10	395430610	395431810	395432610	395930610	395931810	395932610	50.00	1.969	45.00	1.772
5.0mm Euro Block, PC Mount, Vertical, Low Profile	11	395430611	395431811	395432611	395930611	395931811	395932611	55.00	2.166	50.00	1.969
5.0mm Euro Block, PC Mount, Vertical, Low Profile	12	395430612	395431812	395432612	395930612	395931812	395932612	60.00	2.363	55.00	2.166
5.0mm Euro Block, PC Mount, Vertical, Low Profile	13	395430613	395431813	395432613	395930613	395931813	395932613	65.00	2.560	60.00	2.363
5.0mm Euro Block, PC Mount, Vertical, Low Profile	14	395430614	395431814	395432614	395930614	395931814	395932614	70.00	2.757	65.00	2.560
5.0mm Euro Block, PC Mount, Vertical, Low Profile	15	395430615	395431815	395432615	395930615	395931815	395932615	75.00	2.954	70.00	2.757
5.0mm Euro Block, PC Mount, Vertical, Low Profile	16	395430616	395431816	395432616	395930616	395931816	395932616	80.00	3.151	75.00	2.954
5.0mm Euro Block, PC Mount, Vertical, Low Profile	17	395430617	395431817	395432617	395930617	395931817	395932617	85.00	3.348	80.00	3.151
5.0mm Euro Block, PC Mount, Vertical, Low Profile	18	395430618	395431818	395432618	395930618	395931818	395932618	90.00	3.545	85.00	3.348
5.0mm Euro Block, PC Mount, Vertical, Low Profile	19	395430619	395431819	395432619	395930619	395931819	395932619	95.00	3.742	90.00	3.545
5.0mm Euro Block, PC Mount, Vertical, Low Profile	20	395430620	395431820	395432620	395930620	395931820	395932620	100.00	3.939	95.00	3.742
5.0mm Euro Block, PC Mount, Vertical, Low Profile	21	395430621	395431821	395432621	395930621	395931821	395932621	105.00	4.136	100.00	3.939
5.0mm Euro Block, PC Mount, Vertical, Low Profile	22	395430622	395431822	395432622	395930622	395931822	395932622	110.00	4.333	105.00	4.136
5.0mm Euro Block, PC Mount, Vertical, Low Profile	23	395430623	395431823	395432623	395930623	395931823	395932623	115.00	4.529	110.00	4.333
5.0mm Euro Block, PC Mount, Vertical, Low Profile	24	395430624	395431824	395432624	395930624	395931824	395932624	120.00	4.726	115.00	4.529

TOLERANCES			
MM	TOL	INCH	TOL
0-6	±0.25	0-.24	±.010
>6-30	±0.40	.24-1.18	±.016
>30-120	±0.50	1.18-4.76	±.020
>120	±0.80	>4.76	±.031

REVISED DOC TOL EC NO: IFC2017-0861 DRAWN: ABENJAMIN W 2017/03/22 CHKD: C. YORK APPR: BRUPERT 2017/04/18 REV	QUALITY SYMBOLS ▽=0 ▽=0	GENERAL TOLERANCES (UNLESS SPECIFIED) mm INCH 4 PLACES ± --- ± --- 3 PLACES ± --- ± --- 2 PLACES ± --- ± --- 1 PLACE ± --- ± --- ANGULAR ± ---°	DIMENSION STYLE MM/IN DRAWN BY DATE LROTHAUS 12/6/05 CHECKED BY DATE C. YORK 01/05/06 APPROVED BY DATE	SCALE DESIGN UNITS INCH THIRD ANGLE PROJECTION
	DRAFT WHERE APPLICABLE MUST REMAIN WITHIN DIMENSIONS		MATERIAL NO. SEE CHART	TITLE 5.0MM, EURO TERM. BLOCK VERTICAL, PC MOUNT, LOW PROFILE
	A1		SIZE B	MOLEX INCORPORATED DOCUMENT NO. SD-39543-004 SHEET NO. 2 OF 2
	THIS DRAWING CONTAINS INFORMATION THAT IS PROPRIETARY TO MOLEX INCORPORATED AND SHOULD NOT BE USED WITHOUT WRITTEN PERMISSION			

9 8 7 6 5 4 3 2 1