



Chipsmall Limited consists of a professional team with an average of over 10 year of expertise in the distribution of electronic components. Based in Hongkong, we have already established firm and mutual-benefit business relationships with customers from,Europe,America and south Asia,supplying obsolete and hard-to-find components to meet their specific needs.

With the principle of "Quality Parts,Customers Priority,Honest Operation,and Considerate Service",our business mainly focus on the distribution of electronic components. Line cards we deal with include Microchip,ALPS,ROHM,Xilinx,Pulse,ON,Everlight and Freescale. Main products comprise IC,Modules,Potentiometer,IC Socket,Relay,Connector.Our parts cover such applications as commercial,industrial, and automotives areas.

We are looking forward to setting up business relationship with you and hope to provide you with the best service and solution. Let us make a better world for our industry!



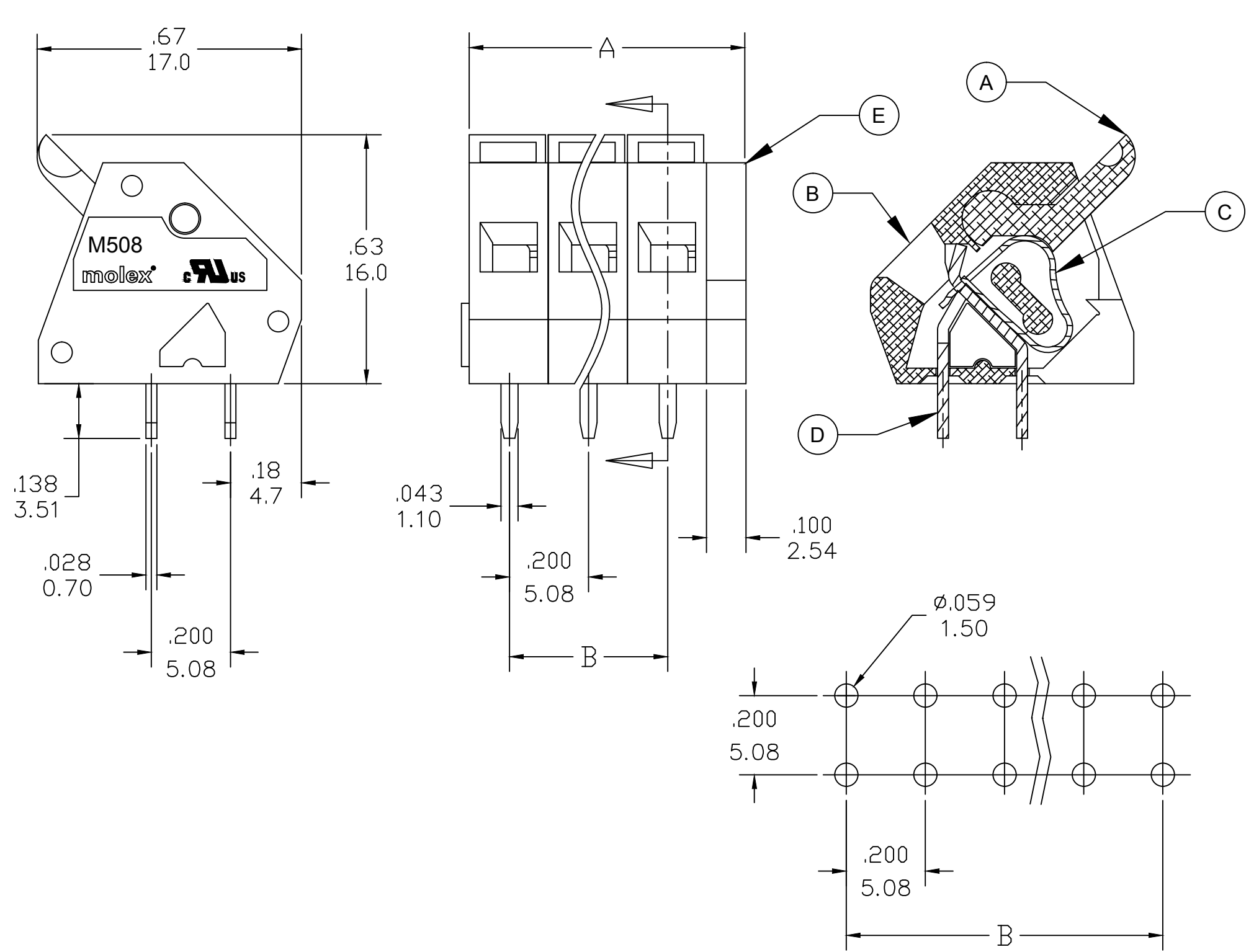
Contact us

Tel: +86-755-8981 8866 Fax: +86-755-8427 6832

Email & Skype: info@chipsmall.com Web: www.chipsmall.com

Address: A1208, Overseas Decoration Building, #122 Zhenhua RD., Futian, Shenzhen, China





PART NUMBER DATA								
CIRCUITS	PART NUMBER	ENGINEERING NUMBER	COLOR	A IN	mm	B IN	mm	
2	397000102	M508-00-2-02-3	GREEN	.50	12.7	.200	5.08	
3	397000103	M508-00-2-03-3	GREEN	.70	17.8	.400	10.15	
4	397000104	M508-00-2-04-3	GREEN	.90	22.9	.600	15.23	
5	397000105	M508-00-2-05-3	GREEN	1.10	27.9	.800	20.31	
6	397000106	M508-00-2-06-3	GREEN	1.30	33.0	1.000	25.39	
7	397000107	M508-00-2-07-3	GREEN	1.50	38.1	1.199	30.46	
8	397000108	M508-00-2-08-3	GREEN	1.70	43.2	1.399	35.54	
9	397000109	M508-00-2-09-3	GREEN	1.90	48.3	1.599	40.62	
10	397000110	M508-00-2-10-3	GREEN	2.10	53.3	1.799	45.70	
11	397000111	M508-00-2-11-3	GREEN	2.30	58.4	1.999	50.77	
12	397000112	M508-00-2-12-3	GREEN	2.50	63.5	2.199	55.85	
13	397000113	M508-00-2-13-3	GREEN	2.70	68.6	2.399	60.93	
14	397000114	M508-00-2-14-3	GREEN	2.90	73.7	2.599	66.01	
15	397000115	M508-00-2-15-3	GREEN	3.10	78.7	2.799	71.08	
16	397000116	M508-00-2-16-3	GREEN	3.30	83.8	2.999	76.16	
17	397000117	M508-00-2-17-3	GREEN	3.50	88.9	3.198	81.24	
18	397000118	M508-00-2-18-3	GREEN	3.70	94.0	3.398	86.32	
19	397000119	M508-00-2-19-3	GREEN	3.90	99.1	3.598	91.39	
20	397000120	M508-00-2-20-3	GREEN	4.10	104.1	3.798	96.47	
21	397000121	M508-00-2-21-3	GREEN	4.30	109.2	3.998	101.55	
22	397000122	M508-00-2-22-3	GREEN	4.50	114.3	4.198	106.63	
23	397000123	M508-00-2-23-3	GREEN	4.70	119.4	4.398	111.70	
24	397000124	M508-00-2-24-3	GREEN	4.90	124.5	4.598	116.78	

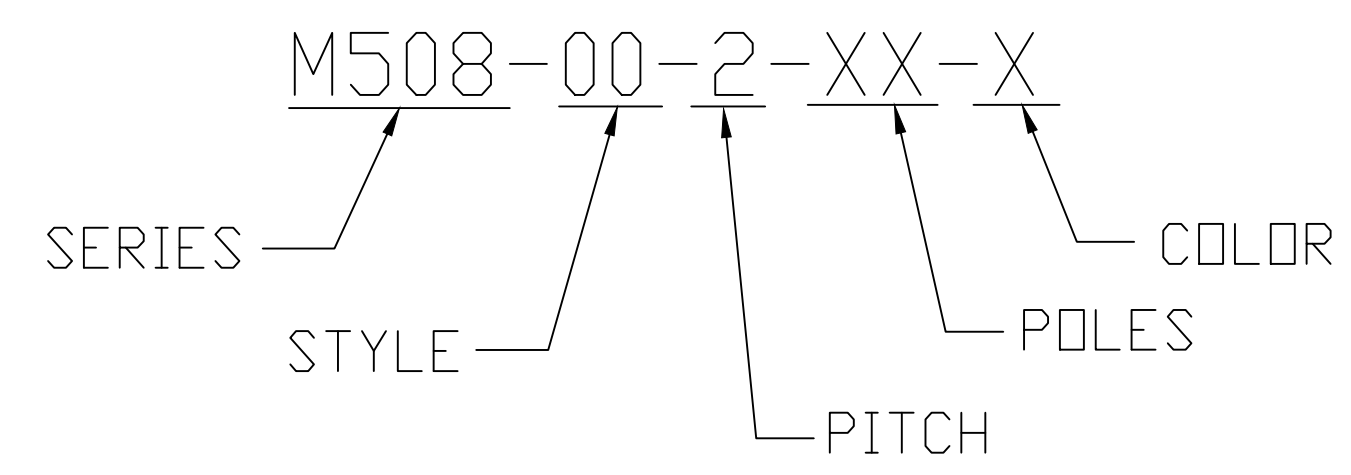
PCB LAYOUT

TOLERANCES			
MM	TOL	INCH	TOL
0-6	±0.25	0-24	±0.010
>6-30	±0.40	0.24-1.18	±0.016
>30-120	±0.50	1.18-4.76	±0.020
>120	±0.80	>4.76	±0.031

SPECIFICATIONS:

- MATERIAL:
 - A. BUTTON: PA66 UL94 V-0
 - B. BODY : PA66 UL94 V-0
 - C. SPRING: ST. STEEL
 - D. TERMINAL: BRASS TIN PLATED
 - E. COVER: PA66 UL94 V-0
- WIRE SIZE: 26 - 12AWG (SOL/STR)
- ELECTRICAL RATING (UL): 300V, 18A
- WIRE STRIP LENGTH: .30 (7.5mm)
- POWER FREQUENCY WITHSTAND: AC 2500V FOR 1 MINUTE
- INSULATION RESISTANCE: DC 500V, 500MΩ
- RATED IMPULSE VOLTAGE: 4000V PLUS AND MINUS 5 TIMES EACH
- OPERATING TEMPERATURE: -40°C TO +105°C
- DIMS SHOWN ARE FOR REFERENCE ONLY

ENGINEERING NUMBER LEGEND



EC DESCRIPTION EC NO.: PG2014-0570 DRWN: RSTONE 2013/11/07 CHKD: --- APPR: ---	QUALITY SYMBOL ▽=0 □=0	DIMENSION STYLE IN/MM	SCALE ---	DESIGN UNITS METRIC	THIRD ANGLE PROJECTION	
	DRAWN BY RSTONE	DATE 2013/10/02	TITLE SPRING TERMINAL BLOCK .200 (PITCH 45 DEG) MODULAR, LOW PROF			
	CHECKED BY ---	DATE ---	MOLEX INCORPORATED			
	APPROVED BY ---	DATE ---	MATERIAL NO. SEE TABLE	DOCUMENT NO. SD-39700-006	SHEET NO. 1 OF 1	
	REV B	SIZE C	THIS DRAWING CONTAINS INFORMATION THAT IS PROPRIETARY TO MOLEX INCORPORATED AND SHOULD NOT BE USED WITHOUT WRITTEN PERMISSION			