



Chipsmall Limited consists of a professional team with an average of over 10 year of expertise in the distribution of electronic components. Based in Hongkong, we have already established firm and mutual-benefit business relationships with customers from,Europe,America and south Asia,supplying obsolete and hard-to-find components to meet their specific needs.

With the principle of “Quality Parts,Customers Priority,Honest Operation,and Considerate Service”,our business mainly focus on the distribution of electronic components. Line cards we deal with include Microchip,ALPS,ROHM,Xilinx,Pulse,ON,Everlight and Freescale. Main products comprise IC,Modules,Potentiometer,IC Socket,Relay,Connector.Our parts cover such applications as commercial,industrial, and automotives areas.

We are looking forward to setting up business relationship with you and hope to provide you with the best service and solution. Let us make a better world for our industry!



Contact us

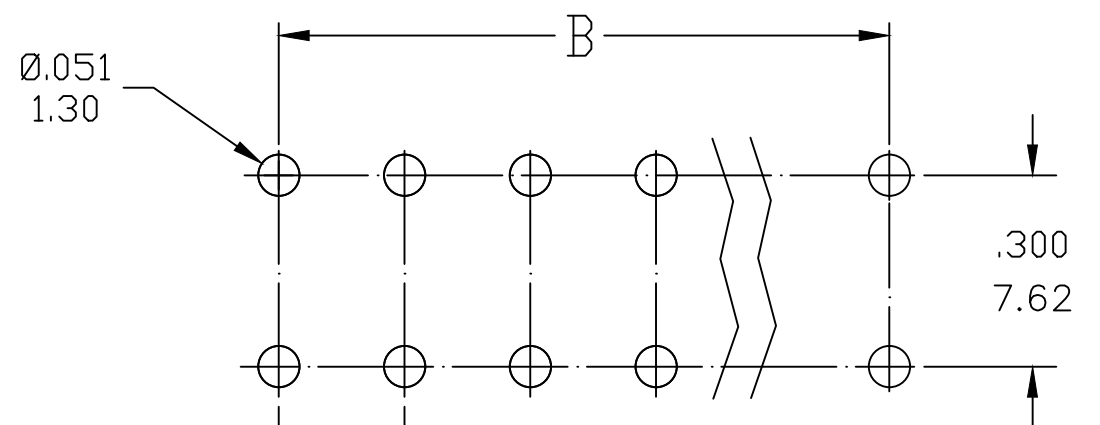
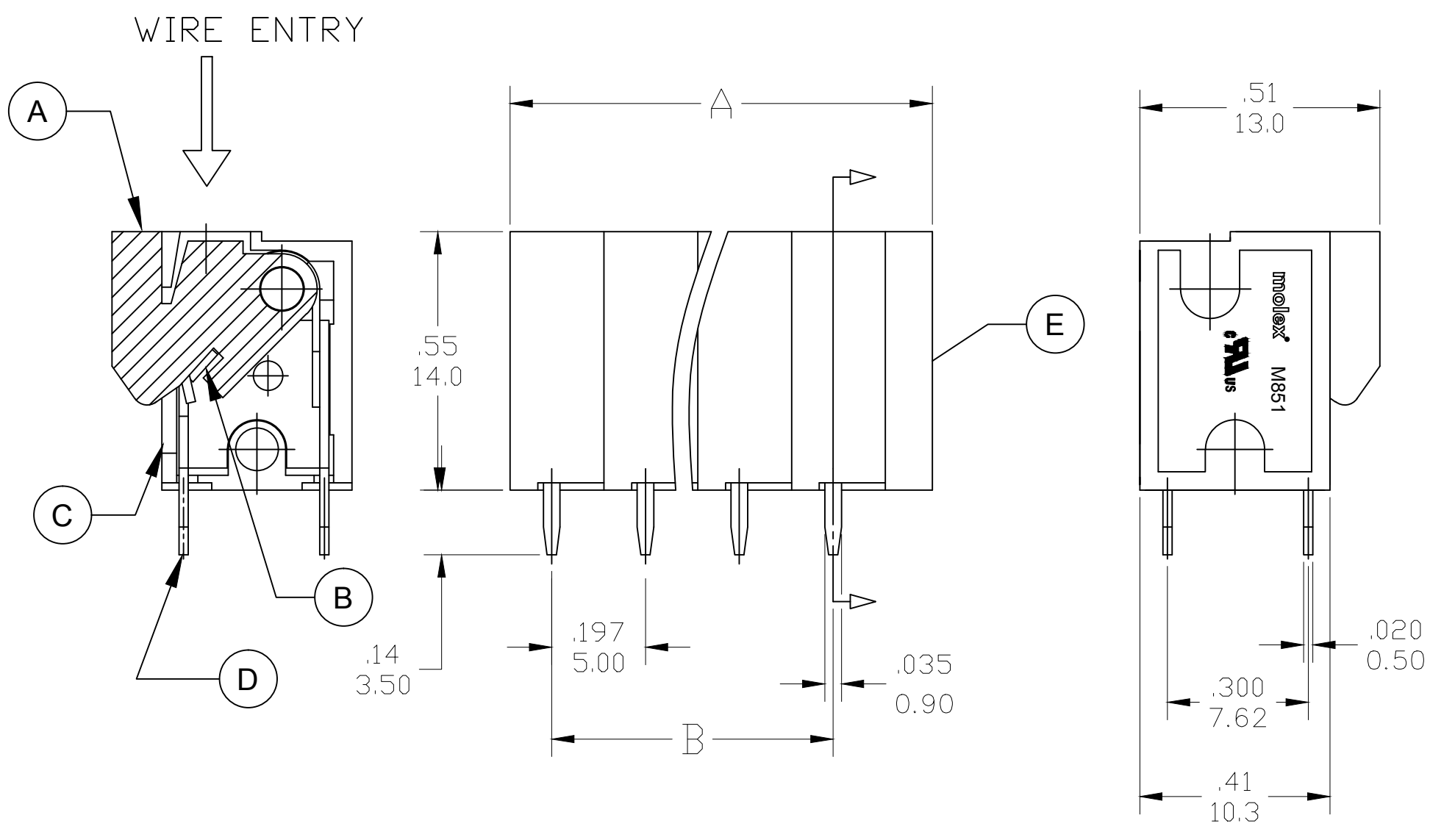
Tel: +86-755-8981 8866 Fax: +86-755-8427 6832

Email & Skype: info@chipsmall.com Web: www.chipsmall.com

Address: A1208, Overseas Decoration Building, #122 Zhenhua RD., Futian, Shenzhen, China



PART NUMBER DATA								
CIRCUITS	PART NUMBER	ENGINEERING NUMBER	COLOR	A IN	mm	B IN	mm	
2	397000902	M851-01-1-02-3	GREEN	.49	12.5	.197	5.00	
3	397000903	M851-01-1-03-3	GREEN	.69	17.5	.394	10.00	
4	397000904	M851-01-1-04-3	GREEN	.89	22.5	.591	15.00	
5	397000905	M851-01-1-05-3	GREEN	1.08	27.5	.787	20.00	
6	397000906	M851-01-1-06-3	GREEN	1.28	32.5	.984	25.00	
7	397000907	M851-01-1-07-3	GREEN	1.48	37.5	1.181	30.00	
8	397000908	M851-01-1-08-3	GREEN	1.67	42.5	1.378	35.00	
9	397000909	M851-01-1-09-3	GREEN	1.87	47.5	1.575	40.00	
10	397000910	M851-01-1-10-3	GREEN	2.07	52.5	1.772	45.00	
11	397000911	M851-01-1-11-3	GREEN	2.27	57.5	1.969	50.00	
12	397000912	M851-01-1-12-3	GREEN	2.46	62.5	2.165	55.00	
13	397000913	M851-01-1-13-3	GREEN	2.66	67.5	2.362	60.00	
14	397000914	M851-01-1-14-3	GREEN	2.86	72.5	2.559	65.00	
15	397000915	M851-01-1-15-3	GREEN	3.05	77.5	2.756	70.00	
16	397000916	M851-01-1-16-3	GREEN	3.25	82.5	2.953	75.00	
17	397000917	M851-01-1-17-3	GREEN	3.45	87.5	3.150	80.00	
18	397000918	M851-01-1-18-3	GREEN	3.64	92.5	3.346	85.00	
19	397000919	M851-01-1-19-3	GREEN	3.84	97.5	3.543	90.00	
20	397000920	M851-01-1-20-3	GREEN	4.04	102.5	3.740	95.00	
21	397000921	M851-01-1-21-3	GREEN	4.23	107.5	3.937	100.00	
22	397000922	M851-01-1-22-3	GREEN	4.43	112.5	4.134	105.00	
23	397000923	M851-01-1-23-3	GREEN	4.63	117.5	4.331	110.00	
24	397000924	M851-01-1-24-3	GREEN	4.82	122.5	4.528	115.00	



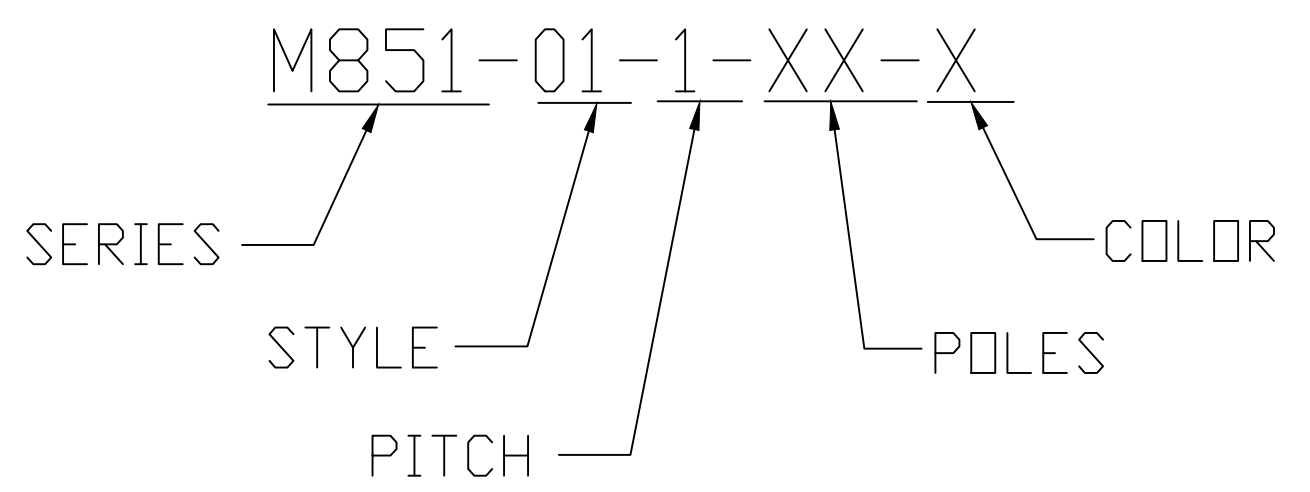
SPECIFICATIONS:

- MATERIAL:
 - A. BUTTON: PA66 UL94 V-0
 - B. SPRING: ST. STEEL
 - C. BODY : PA66 UL94 V-0
 - D. TERMINAL: BRASS TIN PLATED
 - E. COVER: PA66 UL94 V-0
- WIRE SIZE: 22 - 14AWG
- ELECTRICAL RATING (UL): 300V, 10A
- WIRE STRIP LENGTH: .39 (10.0mm)
- POWER FREQUENCY WITHSTAND: AC 2000V FOR 1 MINUTE
- INSULATION RESISTANCE: DC 500V, 500MΩ
- RATED IMPULSE VOLTAGE: 4000V PLUS AND MINUS 5 TIMES EACH
- OPERATING TEMPERATURE: -40°C TO +105°C
- MAX SOLDERING TEMPERATURE: +260°C FOR 5 SECONDS
- DIMS SHOWN ARE FOR REFERENCE ONLY

PCB LAYOUT

TOLERANCES			
MM	TOL	INCH	TOL
0-6	±0.25	0-24	±0.010
>6-30	±0.40	0.24-1.18	±0.016
>30-120	±0.50	1.18-4.76	±0.020
>120	±0.80	>4.76	±0.031

ENGINEERING NUMBER LEGEND



EC DESCRIPTION EC NO.: PG2017-0457 DRWN: RSTONE 2/18/24 CHKD: GFARNSW APPR: ---	QUALITY SYMBOL ▽=0 □=0	DIMENSION STYLE IN/MM	SCALE ---	DESIGN UNITS METRIC	THIRD ANGLE PROJECTION	
	DRAWN BY RSTONE	DATE 2013/11/20	TITLE SPRING TERMINAL BLOCK .197 (5.00) PITCH VERTICAL MODULAR			
	CHECKED BY G FARNSW	DATE 2013/12/20	MOLEX INCORPORATED			
	APPROVED BY JFMURPHY	DATE 2013/12/26	MATERIAL NO. SEE TABLE	DOCUMENT NO. SD-39700-010	SHEET NO. 1 OF 1	
	REV C	THIS DRAWING CONTAINS INFORMATION THAT IS PROPRIETARY TO MOLEX INCORPORATED AND SHOULD NOT BE USED WITHOUT WRITTEN PERMISSION				