



Chipsmall Limited consists of a professional team with an average of over 10 year of expertise in the distribution of electronic components. Based in Hongkong, we have already established firm and mutual-benefit business relationships with customers from,Europe,America and south Asia,supplying obsolete and hard-to-find components to meet their specific needs.

With the principle of "Quality Parts,Customers Priority,Honest Operation,and Considerate Service",our business mainly focus on the distribution of electronic components. Line cards we deal with include Microchip,ALPS,ROHM,Xilinx,Pulse,ON,Everlight and Freescale. Main products comprise IC,Modules,Potentiometer,IC Socket,Relay,Connector.Our parts cover such applications as commercial,industrial, and automotives areas.

We are looking forward to setting up business relationship with you and hope to provide you with the best service and solution. Let us make a better world for our industry!



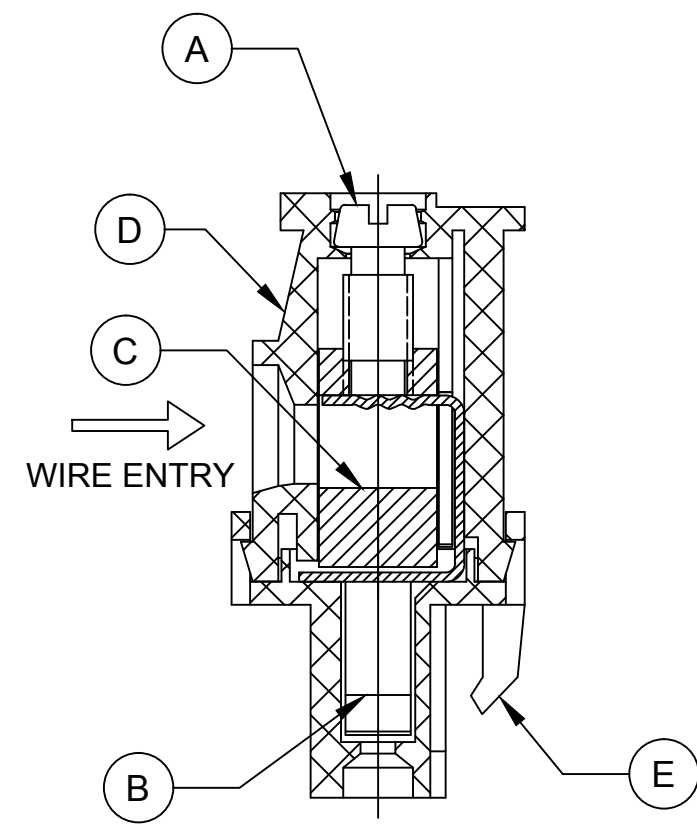
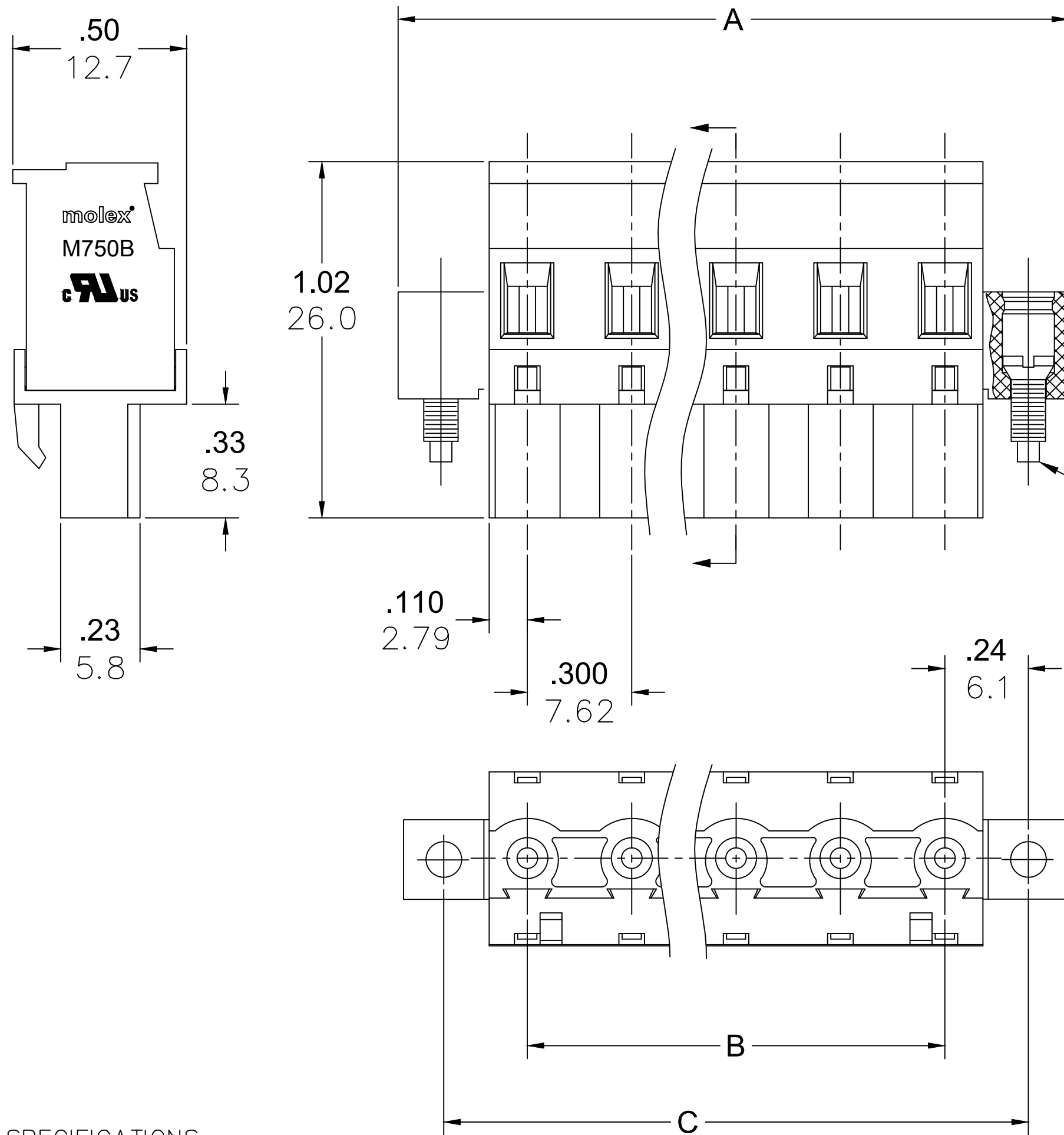
## Contact us

Tel: +86-755-8981 8866 Fax: +86-755-8427 6832

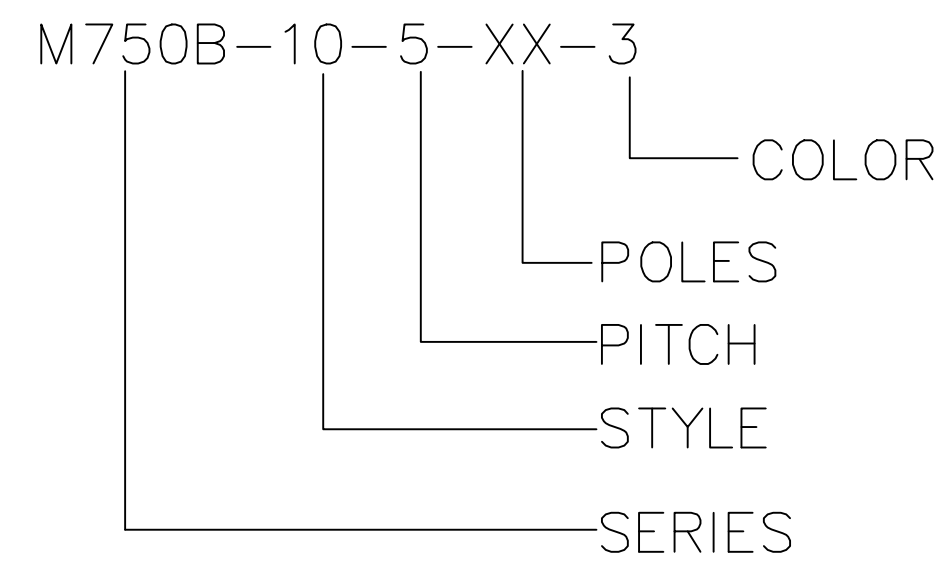
Email & Skype: info@chipsmall.com Web: www.chipsmall.com

Address: A1208, Overseas Decoration Building, #122 Zhenhua RD., Futian, Shenzhen, China





CONTACT FACTORY FOR OPTIONAL COLORS



SPECIFICATIONS

- MATERIAL:
  - A. SCREW: STEEL, M3, ZINC PLATED
  - B. CONTACT : BRONZE, TIN PLATED
  - C. CAGE: BRASS, NICKEL PLATED
  - D. BODY : PA66, UL94 V-0
  - E. COVER: PA66, UL94 V-0
  - F. MOUNTING SCREW: STEEL, M2.5, ZINC PLATED
- WIRE SIZE: 30-12AWG
- RATING: 15A AT 51-150V, 15A AT 151-300V
- POWER-FREQUENCY WITHSTAND: AC 2500V/1MIN.
- INSULATION RESISTANCE: DC500V 500MΩ OR ABOVE
- RATED IMPULSE VOLTAGE: 4000V/PLUS AND MINUS 5 TIMES EACH
- WIRE STRIP LENGTH: .28 IN. (7.0mm)
- SCREW TORQUE: 5.0 IN LBS. (0.56 N.M)
- OPERATING TEMPERATURE: -40°C TO +105°C
- DIMS SHOWN ARE FOR REFERENCE ONLY

PART NUMBER DATA									
CIRCUITS	PART NUMBER	ENGINEERING NUMBER	COLOR	A IN mm		B IN mm		C IN mm	
2	397130002	M750B-10-5-02-3	GREEN	1.01	25.7	.300	7.62	.78	19.8
3	397130003	M750B-10-5-03-3	GREEN	1.31	33.3	.600	15.24	1.08	27.4
4	397130004	M750B-10-5-04-3	GREEN	1.61	40.9	.900	22.86	1.38	35.1
5	397130005	M750B-10-5-05-3	GREEN	1.91	48.5	1.200	30.48	1.68	42.7
6	397130006	M750B-10-5-06-3	GREEN	2.21	56.2	1.500	38.10	1.98	50.3
7	397130007	M750B-10-5-07-3	GREEN	2.51	63.8	1.800	45.72	2.28	57.9
8	397130008	M750B-10-5-08-3	GREEN	2.81	71.4	2.100	53.34	2.58	65.5
9	397130009	M750B-10-5-09-3	GREEN	3.11	79.0	2.400	60.96	2.88	73.2
10	397130010	M750B-10-5-10-3	GREEN	3.41	86.6	2.700	68.58	3.18	80.8
11	397130011	M750B-10-5-11-3	GREEN	3.71	94.3	3.000	76.20	3.48	88.4
12	397130012	M750B-10-5-12-3	GREEN	4.01	101.9	3.300	83.82	3.78	96.0

REF. LAST 2 DIGITS OF PART NUMBER EQUALS CIRCUIT COUNT

TOLERANCES			
MM	TOL	INCH	TOL
0-6	±0.25	0-.24	±.010
>6-30	±0.40	.24-1.18	±.016
>30-120	±0.50	1.18-4.76	±.020
>120	±0.80	>4.76	±.031

REVISED DOC TOL EC NO.: ICG2017-0881 DRWN: ABENJAMI 4/6/17 CHKD: --- APPR: BRUPERT 2014/10/16 DESCRIPTION REV	QUALITY SYMBOL	GENERAL TOLERANCES (UNLESS SPECIFIED)	DIMENSION STYLE	SCALE	DESIGN UNITS	THIRD ANGLE PROJECTION	
	▽=0 ∇=0	mm INCH	MM ONLY	---	METRIC		
		4 PLACES ±--- ±--- 3 PLACES ±--- ±--- 2 PLACES ±--- ±--- 1 PLACE ±--- ±---	DRAWN BY DATE RSTONE 2014/02/27	TITLE PLUGGABLE TERMINAL BLOCK 7.62MM (.300) PITCH VERT REAR FACING-MTG ENDS			
		ANGULAR ±---°	CHECKED BY DATE G. FARNS ---	MOLEX INCORPORATED			
	DRAFT WHERE APPLICABLE MUST REMAIN WITHIN DIMENSIONS	APPROVED BY DATE JFMURPHY 2014/10/16	MATERIAL NO. SEE CHART		DOCUMENT NO. SD-39713-001	SHEET NO. 1 OF 1	
		SIZE C	THIS DRAWING CONTAINS INFORMATION THAT IS PROPRIETARY TO MOLEX INCORPORATED AND SHOULD NOT BE USED WITHOUT WRITTEN PERMISSION				