



Chipsmall Limited consists of a professional team with an average of over 10 year of expertise in the distribution of electronic components. Based in Hongkong, we have already established firm and mutual-benefit business relationships with customers from,Europe,America and south Asia,supplying obsolete and hard-to-find components to meet their specific needs.

With the principle of “Quality Parts,Customers Priority,Honest Operation,and Considerate Service”,our business mainly focus on the distribution of electronic components. Line cards we deal with include Microchip,ALPS,ROHM,Xilinx,Pulse,ON,Everlight and Freescale. Main products comprise IC,Modules,Potentiometer,IC Socket,Relay,Connector.Our parts cover such applications as commercial,industrial, and automotives areas.

We are looking forward to setting up business relationship with you and hope to provide you with the best service and solution. Let us make a better world for our industry!



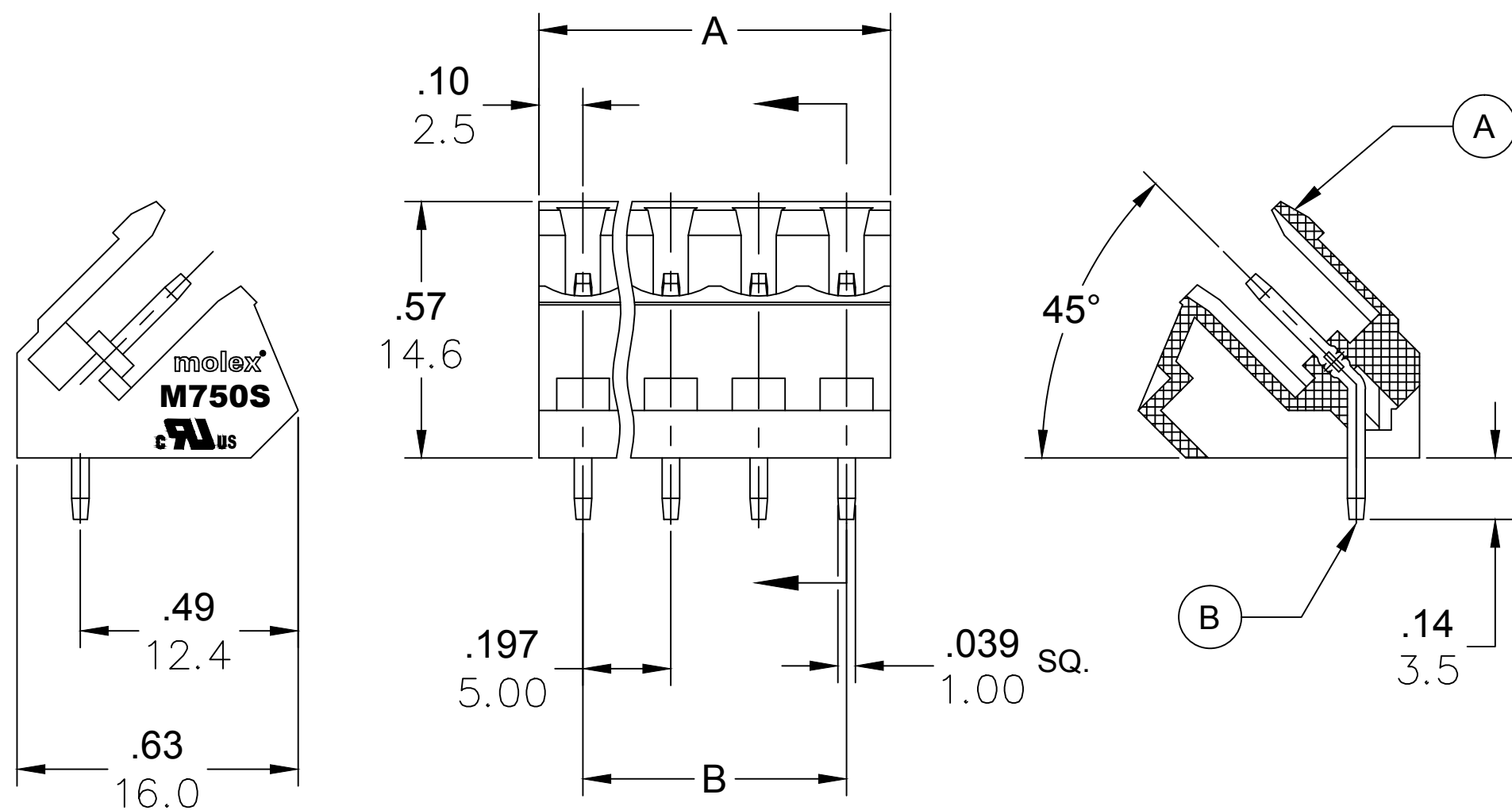
Contact us

Tel: +86-755-8981 8866 Fax: +86-755-8427 6832

Email & Skype: info@chipsmall.com Web: www.chipsmall.com

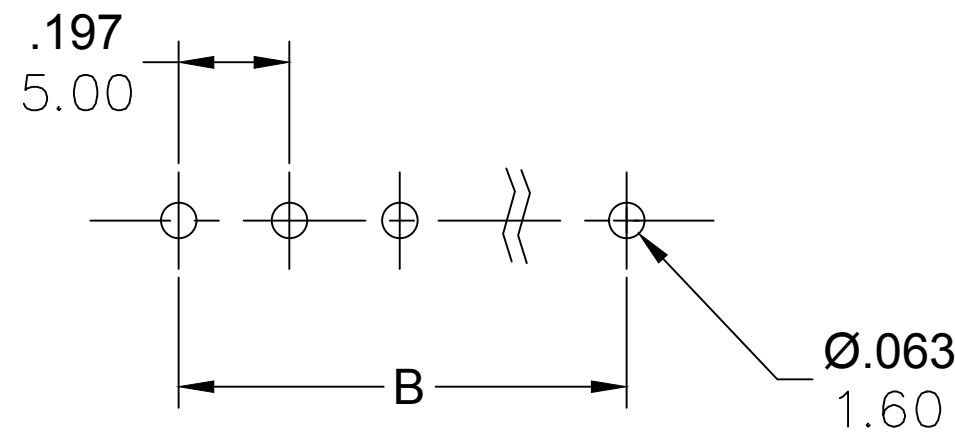
Address: A1208, Overseas Decoration Building, #122 Zhenhua RD., Futian, Shenzhen, China





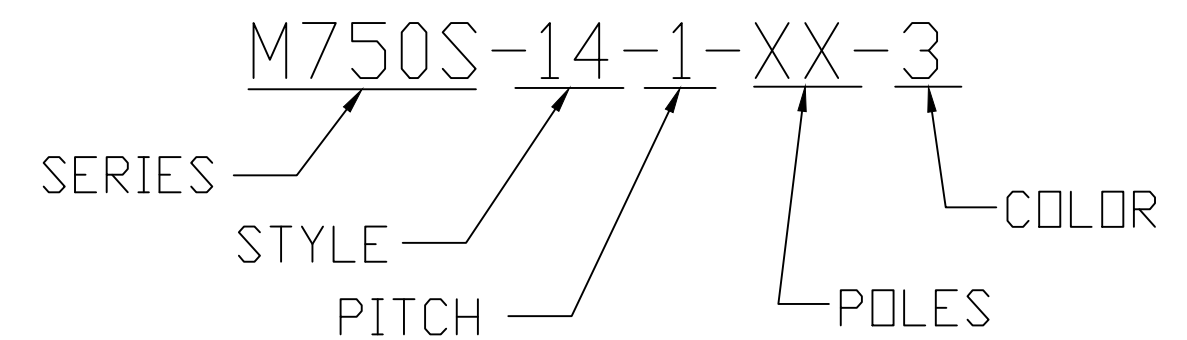
PART NUMBER DATA							
CIRCUITS	PART NUMBER	ENGINEERING NUMBER	COLOR	A IN mm		B IN mm	
2	397330002	M750S-14-1-02-3	GREEN	.39	10.0	.197	5.00
3	397330003	M750S-14-1-03-3	GREEN	.59	15.0	.394	10.00
4	397330004	M750S-14-1-04-3	GREEN	.79	20.0	.591	15.00
5	397330005	M750S-14-1-05-3	GREEN	.98	25.0	.787	20.00
6	397330006	M750S-14-1-06-3	GREEN	1.18	30.0	.984	25.00
7	397330007	M750S-14-1-07-3	GREEN	1.38	35.0	1.181	30.00
8	397330008	M750S-14-1-08-3	GREEN	1.57	40.0	1.378	35.00
9	397330009	M750S-14-1-09-3	GREEN	1.77	45.0	1.575	40.00
10	397330010	M750S-14-1-10-3	GREEN	1.97	50.0	1.772	45.00
11	397330011	M750S-14-1-11-3	GREEN	2.17	55.0	1.969	50.00
12	397330012	M750S-14-1-12-3	GREEN	2.36	60.0	2.165	55.00
13		M750S-14-1-13-3	GREEN	2.56	65.0	2.362	60.00
14		M750S-14-1-14-3	GREEN	2.76	70.0	2.559	65.00
15		M750S-14-1-15-3	GREEN	2.95	75.0	2.756	70.00
16		M750S-14-1-16-3	GREEN	3.15	80.0	2.953	75.00
17		M750S-14-1-17-3	GREEN	3.35	85.0	3.150	80.00
18		M750S-14-1-18-3	GREEN	3.54	90.0	3.346	85.00
19		M750S-14-1-19-3	GREEN	3.74	95.0	3.543	90.00
20		M750S-14-1-20-3	GREEN	3.94	100.0	3.740	95.00
21		M750S-14-1-21-3	GREEN	4.13	105.0	3.937	100.00
22		M750S-14-1-22-3	GREEN	4.33	110.0	4.134	105.00
23		M750S-14-1-23-3	GREEN	4.53	115.0	4.331	110.00
24		M750S-14-1-24-3	GREEN	4.72	120.0	4.528	115.00

PCB LAYOUT



REF. LAST 2 DIGITS OF PART NUMBER EQUAL NUMBER OF POLES

ENGINEERING NUMBER LEGEND



CONTACT FACTORY FOR OPTIONAL COLORS

SPECIFICATIONS:

- MATERIAL:
 - A. BODY: PA66 UL94 V-0
 - B. TERMINAL: BRASS TIN PLATED
- RATING: 15A AT 51-150V, 10A AT 151V-300V
- DIELECTRIC VOLTAGE WITHSTAND: AC 2500V FOR 1 MINUTE
- INSULATION RESISTANCE: DC 500V, 500MΩ
- RATED IMPULSE VOLTAGE: 4000V, PLUS AND MINUS 5 TIMES EACH
- OPERATING TEMPERATURE: -40°C TO +105°C
- MAX SOLDERING TEMP: 260°C (500°F) FOR 5 SECONDS
- DIMS. SHOWN ARE FOR REFERENCE ONLY

TOLERANCES			
MM	TOL	INCH	TOL
0-6	±0.25	0-.24	±.010
>6-30	±0.40	.24-1.18	±.016
>30-120	±0.50	1.18-4.76	±.020
>120	±0.80	>4.76	±.031

REVISED DOC TOL EC NO.: ICG2017-0881 DRWN: ABENJAMI CHKD: --- APPR: BRUPERT 2014/10/16 DESCRIPTION REV	QUALITY SYMBOL	GENERAL TOLERANCES (UNLESS SPECIFIED)	DIMENSION STYLE IN/MM	SCALE ---	DESIGN UNITS METRIC	THIRD ANGLE PROJECTION
	▽=0	4 PLACES ±--- INCH	DRAWN BY RSTONE DATE 2014/04/02	TITLE	5.00MM EURO HEADER 45 DEGREE OPEN ENDS	
	∇=0	3 PLACES ±--- INCH	CHECKED BY G FARNSW	MOLEX INCORPORATED		
		2 PLACES ±--- INCH	APPROVED BY JFMURPHY DATE 2014/10/16	MATERIAL NO. SEE CHART	DOCUMENT NO. SD-39733-001	SHEET NO. 1 OF 1
		1 PLACE ±--- INCH	THIS DRAWING CONTAINS INFORMATION THAT IS PROPRIETARY TO MOLEX INCORPORATED AND SHOULD NOT BE USED WITHOUT WRITTEN PERMISSION			