



Chipsmall Limited consists of a professional team with an average of over 10 year of expertise in the distribution of electronic components. Based in Hongkong, we have already established firm and mutual-benefit business relationships with customers from,Europe,America and south Asia,supplying obsolete and hard-to-find components to meet their specific needs.

With the principle of “Quality Parts,Customers Priority,Honest Operation,and Considerate Service”,our business mainly focus on the distribution of electronic components. Line cards we deal with include Microchip,ALPS,ROHM,Xilinx,Pulse,ON,Everlight and Freescale. Main products comprise IC,Modules,Potentiometer,IC Socket,Relay,Connector.Our parts cover such applications as commercial,industrial, and automotives areas.

We are looking forward to setting up business relationship with you and hope to provide you with the best service and solution. Let us make a better world for our industry!



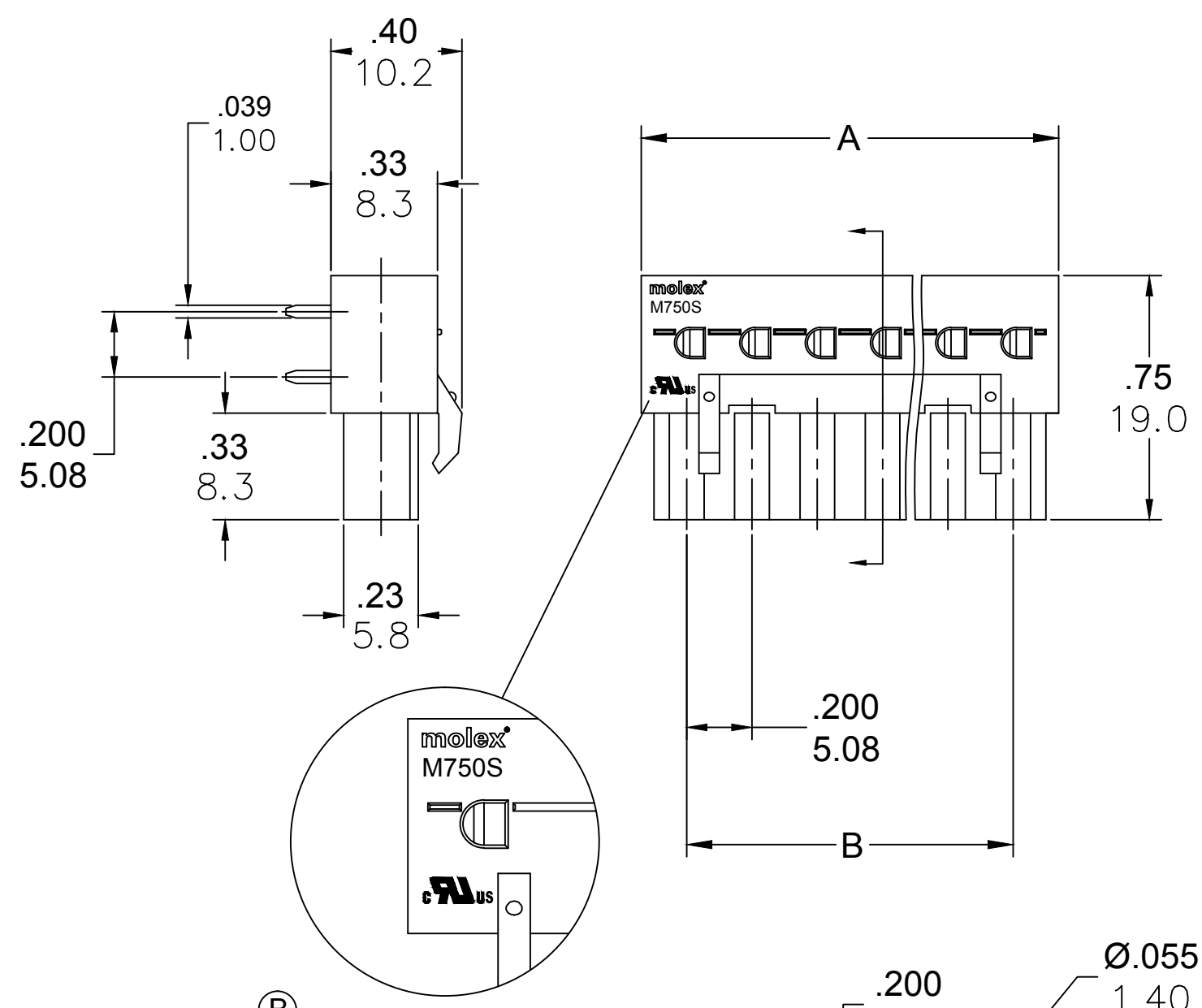
Contact us

Tel: +86-755-8981 8866 Fax: +86-755-8427 6832

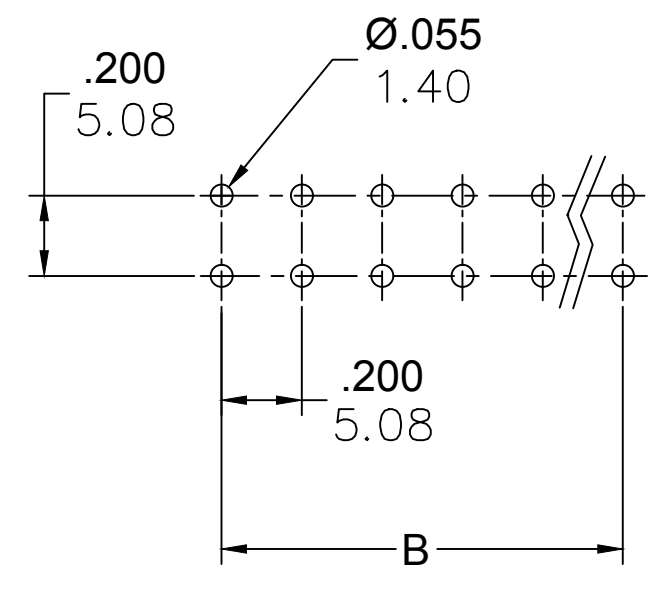
Email & Skype: info@chipsmall.com Web: www.chipsmall.com

Address: A1208, Overseas Decoration Building, #122 Zhenhua RD., Futian, Shenzhen, China

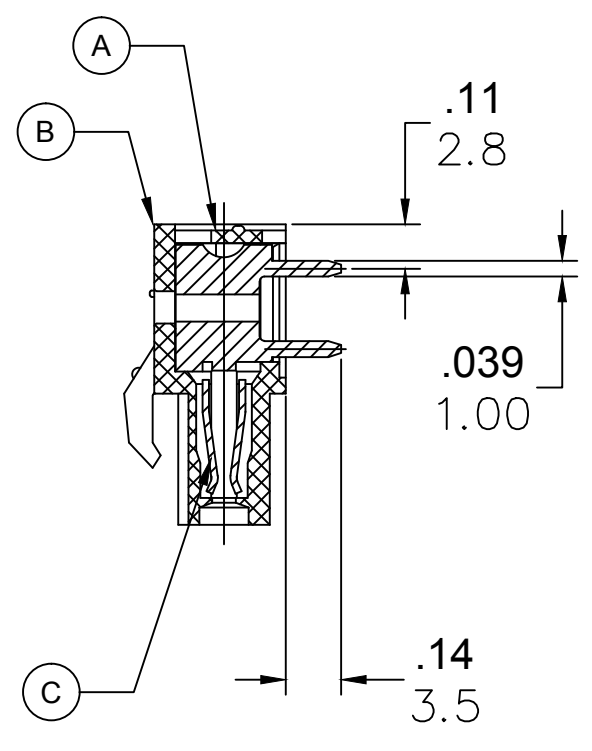




MARKING IS LOCATED AS SHOWN



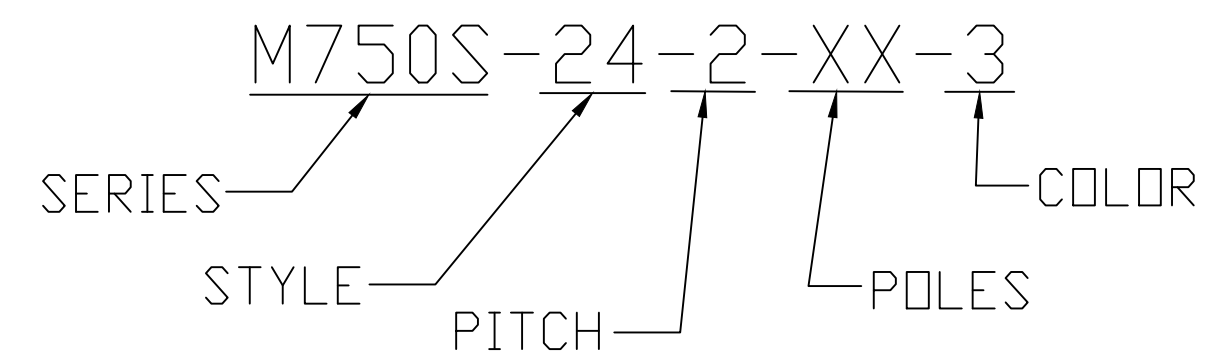
PCB LAYOUT



PART NUMBER DATA							
CIRCUITS	PART NUMBER	ENGINEERING NUMBER	COLOR	A IN mm		B IN mm	
2	397340002	M750S-24-2-02-3	GREEN	.48	12.2	.200	5.08
3	397340003	M750S-24-2-03-3	GREEN	.68	17.2	.400	10.16
4	397340004	M750S-24-2-04-3	GREEN	.88	22.3	.600	15.24
5	397340005	M750S-24-2-05-3	GREEN	1.08	27.4	.800	20.32
6	397340006	M750S-24-2-06-3	GREEN	1.28	32.5	1.000	25.40
7	397340007	M750S-24-2-07-3	GREEN	1.48	37.6	1.200	30.48
8	397340008	M750S-24-2-08-3	GREEN	1.68	42.6	1.400	35.56
9	397340009	M750S-24-2-09-3	GREEN	1.88	47.7	1.600	40.64
10	397340010	M750S-24-2-10-3	GREEN	2.08	52.8	1.800	45.72
11	397340011	M750S-24-2-11-3	GREEN	2.28	57.9	2.000	50.80
12	397340012	M750S-24-2-12-3	GREEN	2.48	63.0	2.200	55.88
13		M750S-24-2-13-3	GREEN	2.68	68.0	2.400	60.96
14		M750S-24-2-14-3	GREEN	2.88	73.1	2.600	66.04
15		M750S-24-2-15-3	GREEN	3.08	78.2	2.800	71.12
16		M750S-24-2-16-3	GREEN	3.28	83.3	3.000	76.20
17		M750S-24-2-17-3	GREEN	3.48	88.4	3.200	81.28
18		M750S-24-2-18-3	GREEN	3.68	93.4	3.400	86.36
19		M750S-24-2-19-3	GREEN	3.88	98.5	3.600	91.44
20		M750S-24-2-20-3	GREEN	4.08	103.6	3.800	96.52
21		M750S-24-2-21-3	GREEN	4.28	108.7	4.000	101.59
22		M750S-24-2-22-3	GREEN	4.48	113.8	4.200	106.67
23		M750S-24-2-23-3	GREEN	4.68	118.8	4.400	111.75
24		M750S-24-2-24-3	GREEN	4.88	123.9	4.600	116.83

REF. LAST 2 DIGITS OF PART NUMBER EQUAL CIRCUIT COUNT

ENGINEERING NUMBER LEGEND



CONTACT FACTORY FOR OPTIONAL COLORS

SPECIFICATIONS:

- MATERIAL:
 - A. COVER: PA66 UL94 V-0
 - B. BODY: PA66, UL94 V-0
 - C. TERMINAL: BRASS TIN PLATED
- RATING: 250V, 12A
- DIELECTRIC VOLTAGE WITHSTAND: AC 2500V FOR 1 MINUTE
- INSULATION RESISTANCE: DC 500V, 500MΩ
- RATED IMPULSE VOLTAGE: 4000V, PLUS AND MINUS 5 TIMES EACH
- OPERATING TEMPERATURE: -40°C TO +105°C
- MAX SOLDERING TEMP: 260°C (500°F) FOR 5 SECONDS
- DIMS. SHOWN ARE FOR REFERENCE ONLY

TOLERANCES			
MM	TOL	INCH	TOL
0-6	±0.25	0-.24	±.010
>6-30	±0.40	.24-1.18	±.016
>30-120	±0.50	1.18-4.76	±.020
>120	±0.80	>4.76	±.031

REVISED DOC TOL EC NO.: IPG2017-0881 DRWN: ABENJAMI CHKD: --- APPR: BRUPERT 4/6/17 2014/10/16	QUALITY SYMBOL ▽=0 ▽C=0	GENERAL TOLERANCES (UNLESS SPECIFIED) mm INCH 4 PLACES ±--- ±--- 3 PLACES ±--- ±--- 2 PLACES ±--- ±--- 1 PLACE ±--- ±---	DIMENSION STYLE IN/MM DRAWN BY DATE RSTONE 2014/04/29 CHECKED BY DATE G FARNSW --- APPROVED BY DATE JFMURPHY 2014/10/16	SCALE --- DESIGN UNITS METRIC THIRD ANGLE PROJECTION	TITLE HEADER HORIZONTAL MALE 5.08MM
	DRAFT WHERE APPLICABLE MUST REMAIN WITHIN DIMENSIONS		MATERIAL NO. SEE CHART	DOCUMENT NO. MOLEX INCORPORATED SD-39734-001	SHEET NO. 1 OF 1
	THIS DRAWING CONTAINS INFORMATION THAT IS PROPRIETARY TO MOLEX INCORPORATED AND SHOULD NOT BE USED WITHOUT WRITTEN PERMISSION				
	SIZE C				