



Chipsmall Limited consists of a professional team with an average of over 10 year of expertise in the distribution of electronic components. Based in Hongkong, we have already established firm and mutual-benefit business relationships with customers from,Europe,America and south Asia,supplying obsolete and hard-to-find components to meet their specific needs.

With the principle of “Quality Parts,Customers Priority,Honest Operation,and Considerate Service”,our business mainly focus on the distribution of electronic components. Line cards we deal with include Microchip,ALPS,ROHM,Xilinx,Pulse,ON,Everlight and Freescale. Main products comprise IC,Modules,Potentiometer,IC Socket,Relay,Connector.Our parts cover such applications as commercial,industrial, and automotives areas.

We are looking forward to setting up business relationship with you and hope to provide you with the best service and solution. Let us make a better world for our industry!



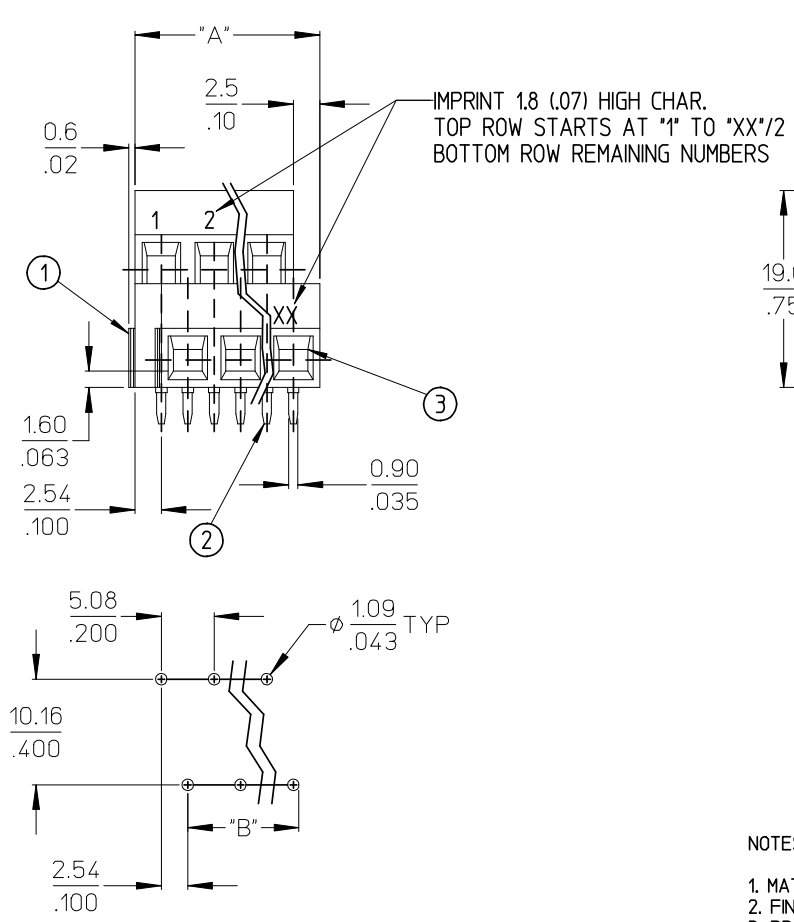
## Contact us

Tel: +86-755-8981 8866 Fax: +86-755-8427 6832

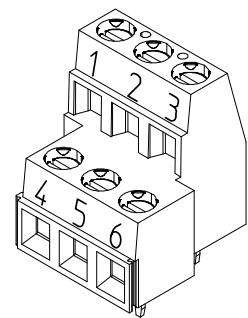
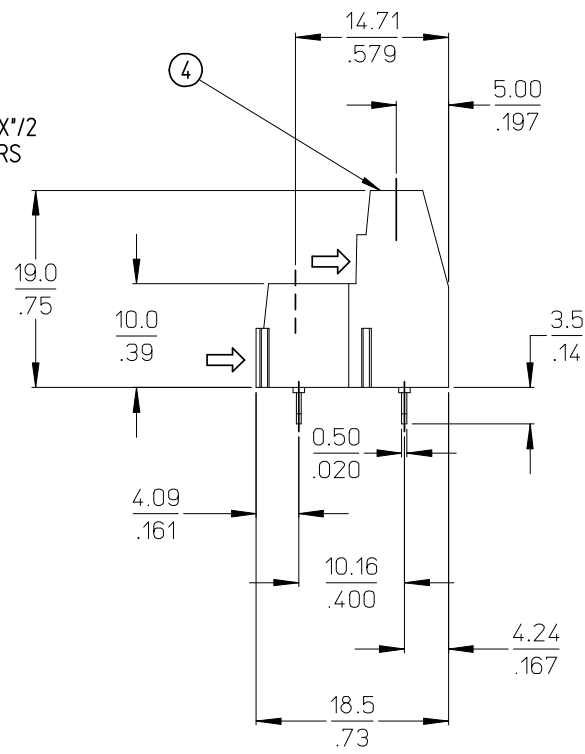
Email & Skype: info@chipsmall.com Web: www.chipsmall.com

Address: A1208, Overseas Decoration Building, #122 Zhenhua RD., Futian, Shenzhen, China





RECOMMENDED PTH PATTERN



06 CIRCUIT SHOWN

NO. OF CIRC. *XX*	DIM. *A*		DIM. *B*		MATERIAL NO. (BLACK)	MATERIAL NO. (GREEN)	MATERIAL NO. 10A, BLACK
04	12.7	[.50]	5.08	[.200]	398800504	398804504	
06	17.8	[.70]	10.16	[.400]	398800506	398804506	
08	22.9	[.90]	15.24	[.600]	398800508	398804508	
10	27.9	[1.10]	20.32	[.800]	398800510	398804510	398820510
12	33.0	[1.30]	25.40	[1.000]	398800512	398804512	
14	38.1	[1.50]	30.48	[1.200]	398800514	398804514	
16	43.2	[1.70]	35.56	[1.400]	398800516	398804516	
18	48.3	[1.90]	40.64	[1.600]	398800518	398804518	
20	53.3	[2.10]	45.72	[1.800]	398800520	398804520	
22	58.4	[2.30]	50.80	[2.000]	398800522	398804522	
24	63.5	[2.50]	55.88	[2.200]	398800524	398804524	398820524
26	68.6	[2.70]	60.96	[2.400]	398800526	398804526	
28	73.7	[2.90]	66.04	[2.600]	398800528	398804528	
30	78.7	[3.10]	71.12	[2.800]	398800530	398804530	
32	83.8	[3.30]	76.20	[3.000]	398800532	398804532	
34	88.9	[3.50]	81.28	[3.200]	398800534	398804534	
36	94.0	[3.70]	86.36	[3.400]	398800536	398804536	
38	99.1	[3.90]	91.44	[3.600]	398800538	398804538	
40	104.1	[4.10]	96.52	[3.800]	398800540	398804540	
42	109.2	[4.30]	101.6	[4.000]	398800542	398804542	
44	114.3	[4.50]	106.7	[4.200]	398800544	398804544	
46	119.4	[4.70]	111.76	[4.400]	398800546	398804546	
48	124.5	[4.90]	116.84	[4.600]	398800548	398804548	

NOTES:

1. MATERIAL: SEE TABLE
2. FINISHES: SEE TABLE
3. PRODUCT SPECIFICATION: NOT REQUIRED
4. PACKAGING: NOT REQUIRED
5. MATES WITH: NONE
6. \*XX\* REFERS TO THE QUANTITY OF CIRCUITS.
7. ROHS COMPLIANT

ITEM	QTY.	DESCRIPTION	MATERIAL	ENGINEERING NUMBER
4	XX	SCREW, M3, SLOTTED	BRONZE	NICKEL PLATE
3	XX	CAGE CLAMP	BRASS	NICKEL PLATE
2	XX	TERMINAL, PC	COPPER	TIN PLATE
1	1	INSULATOR	POLYAMIDE	SEE CHART

ADD GREEN OPTION  
 EC NO: WNA2008-0180  
 DRWN: JENC INAS 2008/05/16  
 CH'KD: CYORK 2008/05/21  
 APPR: JMACNEIL 2008/05/22

QUALITY SYMBOLS  
 ▼=0  
 ▽=0

DESCRIPTION  
 REV

GENERAL TOLERANCES (UNLESS SPECIFIED)

	mm	INCH
4 PLACES	±---	±---
3 PLACES	±---	±.005
2 PLACES	±0.13	±.01
1 PLACE	±0.3	±---

ANGULAR ± 2 °

DRAFT WHERE APPLICABLE MUST REMAIN WITHIN DIMENSIONS

DIMENSION STYLE: MM/IN

SCALE: 2:1

DESIGN UNITS: INCH

THIRD ANGLE PROJECTION

DRAWN BY: C. YORK DATE: 2004/11/22  
 CHECKED BY: R. STONE DATE: 2004/11/22  
 APPROVED BY: GHR DATE: 2004/11/22

MATERIAL NO. SEE CHART  
 DOCUMENT NO. SD-39880-005  
 SHEET NO. 1 OF 1

THIS DRAWING CONTAINS INFORMATION THAT IS PROPRIETARY TO MOLEX INCORPORATED AND SHOULD NOT BE USED WITHOUT WRITTEN PERMISSION