



Chipsmall Limited consists of a professional team with an average of over 10 year of expertise in the distribution of electronic components. Based in Hongkong, we have already established firm and mutual-benefit business relationships with customers from,Europe,America and south Asia,supplying obsolete and hard-to-find components to meet their specific needs.

With the principle of "Quality Parts,Customers Priority,Honest Operation,and Considerate Service",our business mainly focus on the distribution of electronic components. Line cards we deal with include Microchip,ALPS,ROHM,Xilinx,Pulse,ON,Everlight and Freescale. Main products comprise IC,Modules,Potentiometer,IC Socket,Relay,Connector.Our parts cover such applications as commercial,industrial, and automotives areas.

We are looking forward to setting up business relationship with you and hope to provide you with the best service and solution. Let us make a better world for our industry!



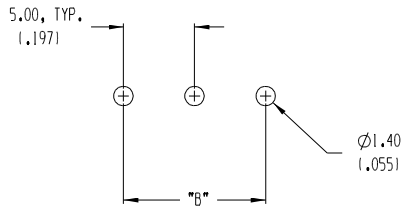
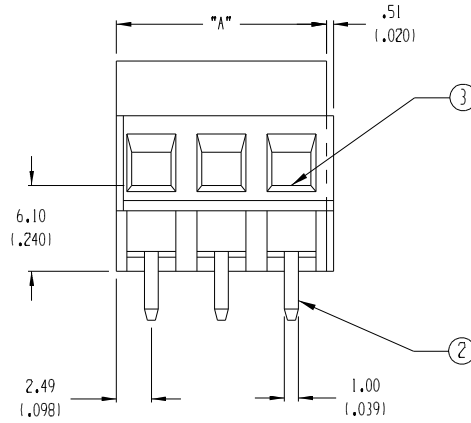
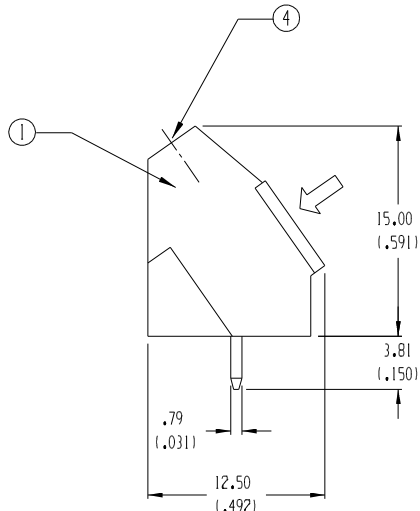
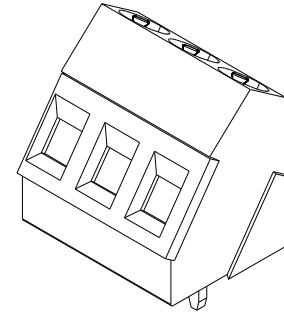
## Contact us

Tel: +86-755-8981 8866 Fax: +86-755-8427 6832

Email & Skype: info@chipsmall.com Web: www.chipsmall.com

Address: A1208, Overseas Decoration Building, #122 Zhenhua RD., Futian, Shenzhen, China





MATERIAL NO.	NUMBER OF CIRCUITS "XX"	DIM. "A"	DIM. "B"
398900402	02	10.00 (.394)	5.00 (.197)
398900403	03	15.00 (.591)	10.00 (.394)
398900404	04	20.00 (.787)	15.00 (.591)
398900405	05	25.00 (.984)	20.00 (.787)
398900406	06	30.00 (1.181)	25.00 (.984)
398900407	07	35.00 (1.378)	30.00 (1.181)
398900408	08	40.00 (1.575)	35.00 (1.378)
398900409	09	45.00 (1.772)	40.00 (1.575)
398900410	10	50.00 (1.969)	45.00 (1.772)
398900411	11	55.00 (2.166)	50.00 (1.969)
398900412	12	60.00 (2.363)	55.00 (2.166)

- NOTES:
1. MATERIAL: SEE TABLE
  2. FINISHES: SEE TABLE
  3. PRODUCT SPECIFICATION: NOT REQUIRED
  4. PACKAGING: NOT REQUIRED
  5. MATES WITH: NONE
  6. 3 CIRCUIT SHOWN.

ITEM	QTY.	DESCRIPTION	MATERIAL	FINISH
4	XX	SCREW	COPPER	NICKEL
3	XX	CAGE CLAMP	COPPER	NICKEL
2	XX	TERMINAL	COPPER	HOT TIN DIP
1	1	INSULATOR	POLYAMIDE	BLACK

EC NO. ECN# 3846  
 DRWN: CY 09-02-04  
 CHK: APPR1

DESCRIPTION  
 MAJOR  
 CRITICAL  
 SPC

QUALITY SYMBOLS  
 GENERAL TOLERANCES: (UNLESS SPECIFIED)  
 4 PLACES ±.0015  
 3 PLACES ±.038 ±.005  
 2 PLACES ±.13 ±.01  
 1 PLACE ±.3  
 ANGULAR: ±2°  
 DRAFT WHERE APPLICABLE MUST REMAIN WITHIN DIMENSIONS

SCALE 3:1  
 DESIGN UNITS  mm  INCH  
 DRAWN BY & DATE R. KEMP 7-1-03  
 CHECKED BY & DATE R. STONE 7-1-03  
 APPROVED BY & DATE P. WALTZ 7-1-03  
 CAD FILENAME 8902XX

PROJECT NO. N/A  
 DIMENSIONS:  mm  INCH  mm ONLY  
 SHT REV  
 REVISION ON CAD ONLY  
 TITLE: 5.00mm EUROSTYLE MEDIUM, SINGLE ROW, 35° ANGLED ENTRY  
 MOLEX INCORPORATED  
 MATERIAL NO. SEE CHART  
 DRAWING NO. SD-39890-001  
 SHEET NO. 1 OF 1  
 THIS DRAWING CONTAINS INFORMATION THAT IS PROPRIETARY TO MOLEX INCORPORATED AND SHOULD NOT BE USED WITHOUT WRITTEN PERMISSION.  
 SIZE B