



Chipsmall Limited consists of a professional team with an average of over 10 year of expertise in the distribution of electronic components. Based in Hongkong, we have already established firm and mutual-benefit business relationships with customers from,Europe,America and south Asia,supplying obsolete and hard-to-find components to meet their specific needs.

With the principle of “Quality Parts,Customers Priority,Honest Operation,and Considerate Service”,our business mainly focus on the distribution of electronic components. Line cards we deal with include Microchip,ALPS,ROHM,Xilinx,Pulse,ON,Everlight and Freescale. Main products comprise IC,Modules,Potentiometer,IC Socket,Relay,Connector.Our parts cover such applications as commercial,industrial, and automotives areas.

We are looking forward to setting up business relationship with you and hope to provide you with the best service and solution. Let us make a better world for our industry!



Contact us

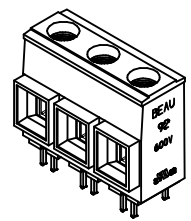
Tel: +86-755-8981 8866 Fax: +86-755-8427 6832

Email & Skype: info@chipsmall.com Web: www.chipsmall.com

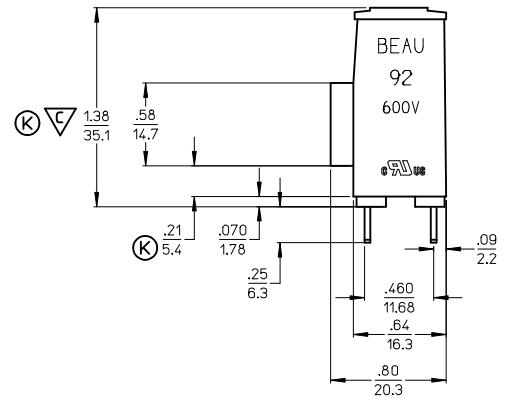
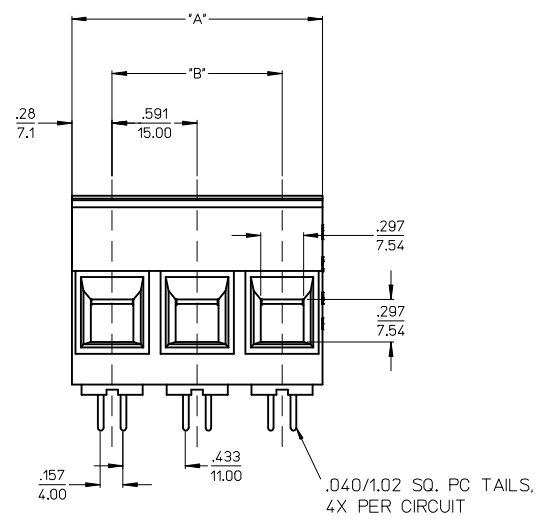
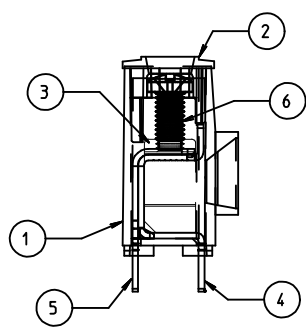
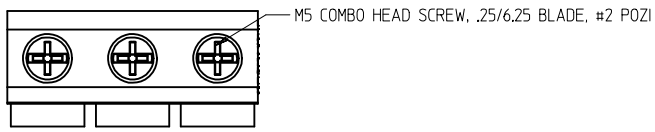
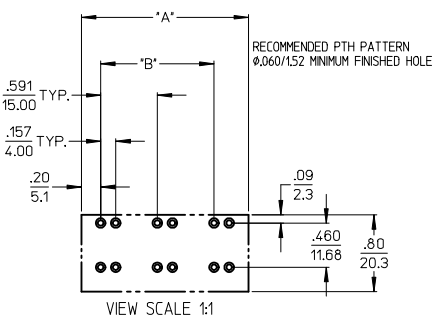
Address: A1208, Overseas Decoration Building, #122 Zhenhua RD., Futian, Shenzhen, China



MATERIAL NO. -56 OPTION	ENGINEERING NUMBER	NUMBER OF CIRCUITS	DIM "A" 010/13	DIM "B"
399200502	920502-56	02	1.150/29.21	.591/15.91
399200503	920503-56	03	1.740/44.20	1.181/30.00
399200504	920504-56	04	2.330/59.18	1.772/45.01
399200505	920505-56	05	2.920/74.17	2.362/59.99
399200506	920506-56	06	3.510/89.15	2.953/75.01
399200507	920507-56	07	4.100/104.14	3.543/89.99
399200508	920508-56	08	4.690/119.13	4.134/105.00
399200509	920509-56	09	5.280/134.11	4.724/119.99
399200510	920510-56	10	5.870/149.10	5.315/135.00
399200511	920511-56	11	6.470/164.43	5.906/150.01
399200512	920512-56	12	7.060/179.32	6.496/165.00



ACTUAL SIZE



NOTES:
 1. DESIGNED TO MEET NEC & UL 1059 CLASS C 600 VOLTS
 2. "XX" REFERS TO THE NUMBER OF CIRCUIT POSITIONS.
 3. ROHS COMPLIANT BY EXEMPTION. *

ITEM	QTY.	DESCRIPTION	MATERIAL	FINISH
6	XX	SCREW, M5, #2 POZI-SLOT, ST. STEEL	S.S.	TIN
5	XX	TERMINAL	COPPER	TIN
4	XX	TERMINAL	COPPER	TIN
3	XX	CAGE *	BRASS	NICKEL
2	1	COVER	THERMOPLASTIC	BLACK
1	1	BODY	THERMOPLASTIC	BLACK

REV	DESCRIPTION
K	UPDATE DIM., ADD CTO. DIM.
J	EC NO: IPG2013-1881
I	DRWN:JENCINAS 2013/09/10
H	CHKD:JMACNEIL 2013/09/17
G	APPR:JMACNEIL 2013/09/24

QUALITY SYMBOLS	GENERAL TOLERANCES (UNLESS SPECIFIED)
▽=0	
▽=1	
▽=2	
▽=3	
▽=4	
▽=5	
▽=6	
▽=7	
▽=8	
▽=9	
▽=10	
▽=11	
▽=12	
▽=13	
▽=14	
▽=15	
▽=16	
▽=17	
▽=18	
▽=19	
▽=20	
▽=21	
▽=22	
▽=23	
▽=24	
▽=25	
▽=26	
▽=27	
▽=28	
▽=29	
▽=30	
▽=31	
▽=32	
▽=33	
▽=34	
▽=35	
▽=36	
▽=37	
▽=38	
▽=39	
▽=40	
▽=41	
▽=42	
▽=43	
▽=44	
▽=45	
▽=46	
▽=47	
▽=48	
▽=49	
▽=50	
▽=51	
▽=52	
▽=53	
▽=54	
▽=55	
▽=56	
▽=57	
▽=58	
▽=59	
▽=60	
▽=61	
▽=62	
▽=63	
▽=64	
▽=65	
▽=66	
▽=67	
▽=68	
▽=69	
▽=70	
▽=71	
▽=72	
▽=73	
▽=74	
▽=75	
▽=76	
▽=77	
▽=78	
▽=79	
▽=80	
▽=81	
▽=82	
▽=83	
▽=84	
▽=85	
▽=86	
▽=87	
▽=88	
▽=89	
▽=90	
▽=91	
▽=92	
▽=93	
▽=94	
▽=95	
▽=96	
▽=97	
▽=98	
▽=99	
▽=100	

DRAWN BY	DATE
GHR	00/02/03
CHECKED BY	DATE
RKEMP	00/12/11
APPROVED BY	DATE
LROTHAUS	01/05/10

DIMENSION STYLE	SCALE	DESIGN UNITS	THIRD ANGLE PROJECTION
IN/MM	4:1	INCH	
DRAWN BY	DATE	TITLE	
GHR	00/02/03	SR, BTS, #3AWG 85A, 600V	
CHECKED BY	DATE		
RKEMP	00/12/11		
APPROVED BY	DATE		
LROTHAUS	01/05/10		
MATERIAL NO.	DOCUMENT NO.	SHEET NO.	
SEE CHART	SD-39920-005	1 OF 1	
SIZE	THIS DRAWING CONTAINS INFORMATION THAT IS PROPRIETARY TO MOLEX INCORPORATED AND SHOULD NOT BE USED WITHOUT WRITTEN PERMISSION		
C			