



Chipsmall Limited consists of a professional team with an average of over 10 year of expertise in the distribution of electronic components. Based in Hongkong, we have already established firm and mutual-benefit business relationships with customers from,Europe,America and south Asia,supplying obsolete and hard-to-find components to meet their specific needs.

With the principle of "Quality Parts,Customers Priority,Honest Operation,and Considerate Service",our business mainly focus on the distribution of electronic components. Line cards we deal with include Microchip,ALPS,ROHM,Xilinx,Pulse,ON,Everlight and Freescale. Main products comprise IC,Modules,Potentiometer,IC Socket,Relay,Connector.Our parts cover such applications as commercial,industrial, and automotives areas.

We are looking forward to setting up business relationship with you and hope to provide you with the best service and solution. Let us make a better world for our industry!



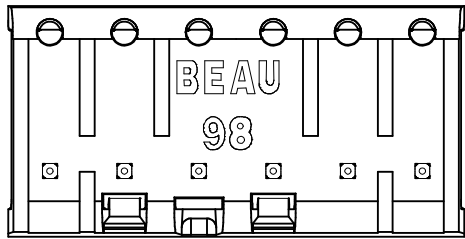
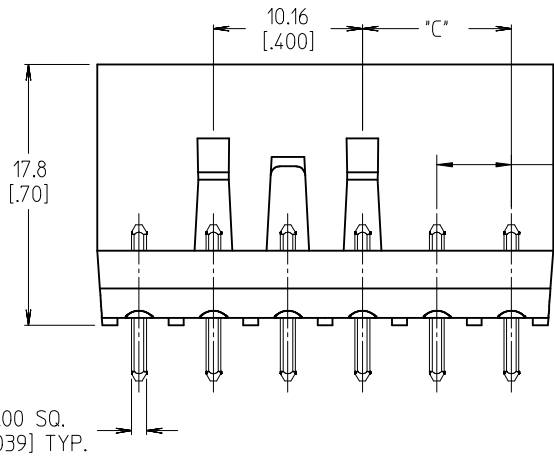
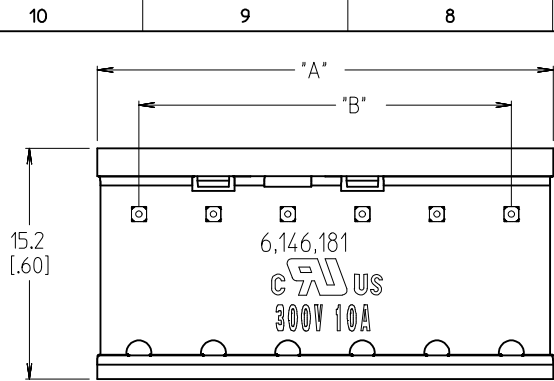
## Contact us

Tel: +86-755-8981 8866 Fax: +86-755-8427 6832

Email & Skype: info@chipsmall.com Web: www.chipsmall.com

Address: A1208, Overseas Decoration Building, #122 Zhenhua RD., Futian, Shenzhen, China



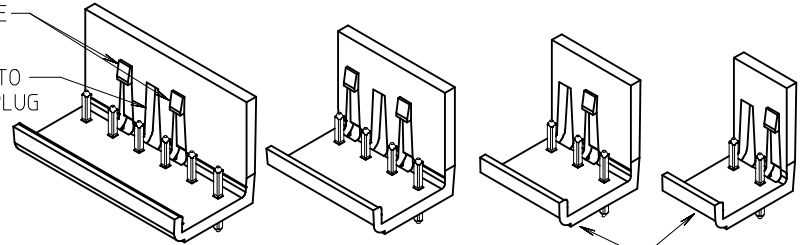


NOTES:

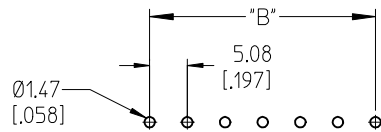
1. MATERIAL: SEE TABLE
2. FINISHES: SEE TABLE
3. INCH DIMS ARE SHOWN IN BRACKETS [XXX]
4. "XX" REFERS TO QTY. OF CIRCUITS
5. ASSEMBLY IS ROHS COMPLIANT
6. REPLACES DWG. SD-39980-0402

DUAL SNAP FEATURE  
CENTERED ON PLUG

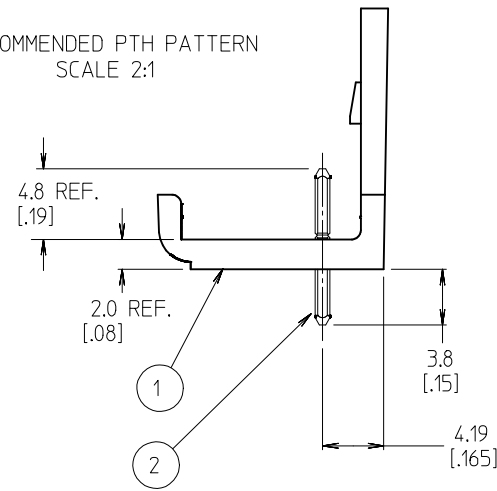
ALIGNMENT FEATURE TO  
MATCH FEATURE ON PLUG



SINGLE SNAP FEATURE  
TO THE RIGHT OF ALIGNMENT  
FEATURE, 2 & 3 CIRCUIT PARTS



RECOMMENDED PTH PATTERN  
SCALE 2:1



| NUMBER OF CIRCUITS "XX" | DIM. "A" ±0.25 [±.010] | DIM. "B"      | DIM. "C"     | MATERIAL NO. TIN (STD) |
|-------------------------|------------------------|---------------|--------------|------------------------|
| 02                      | 10.77 [424]            | 5.08 [200]    | N/A          | 39980-0402             |
| 03                      | 15.85 [624]            | 5.08 [200]    | 5.08 [200]   | 39980-0403             |
| 04                      | 20.93 [824]            | 15.24 [600]   | 5.08 [200]   | 39980-0404             |
| 05                      | 26.01 [1024]           | 20.32 [800]   | 5.08 [200]   | 39980-0405             |
| 06                      | 31.09 [1224]           | 25.40 [1000]  | 10.16 [400]  | 39980-0406             |
| 07                      | 36.17 [1424]           | 30.48 [1200]  | 10.16 [400]  | 39980-0407             |
| 08                      | 41.25 [1624]           | 35.56 [1400]  | 15.24 [600]  | 39980-0408             |
| 09                      | 46.33 [1824]           | 40.64 [1600]  | 15.24 [600]  | 39980-0409             |
| 10                      | 51.41 [2024]           | 45.72 [1800]  | 20.32 [800]  | 39980-0410             |
| 11                      | 56.49 [2224]           | 50.80 [2000]  | 20.32 [800]  | 39980-0411             |
| 12                      | 61.57 [2424]           | 55.88 [2200]  | 25.40 [1000] | 39980-0412             |
| 13                      | 66.65 [2624]           | 60.96 [2400]  | 25.40 [1000] | 39980-0413             |
| 14                      | 71.73 [2824]           | 66.04 [2600]  | 30.48 [1200] | 39980-0414             |
| 15                      | 76.81 [3024]           | 71.12 [2800]  | 30.48 [1200] | 39980-0415             |
| 16                      | 81.89 [3224]           | 76.20 [3000]  | 35.56 [1400] | 39980-0416             |
| 17                      | 86.97 [3424]           | 81.28 [3200]  | 35.56 [1400] | 39980-0417             |
| 18                      | 92.05 [3624]           | 86.36 [3400]  | 40.64 [1600] | 39980-0418             |
| 19                      | 97.13 [3824]           | 91.44 [3600]  | 40.64 [1600] | 39980-0419             |
| 20                      | 102.21 [4024]          | 96.52 [3800]  | 45.72 [1800] | 39980-0420             |
| 21                      | 107.29 [4224]          | 101.60 [4000] | 45.72 [1800] | 39980-0421             |
| 22                      | 112.37 [4424]          | 106.68 [4200] | 50.80 [2000] | 39980-0422             |
| 23                      | 117.45 [4624]          | 111.76 [4400] | 50.80 [2000] | 39980-0423             |
| 24                      | 122.53 [4824]          | 116.84 [4600] | 55.88 [2200] | 39980-0424             |

|   |                       |                                       |                        |   |              |                        |
|---|-----------------------|---------------------------------------|------------------------|---|--------------|------------------------|
| REMOVED GOLD OPT<br>EC NO: IPG2016-1388<br>TIDRWAHSTONE 2016/04/13<br>CHKD:MZ/LEL INSK1 2016/04/20<br>APPR:BRUPERT 2016/04/22 | QUALITY SYMBOLS       | GENERAL TOLERANCES (UNLESS SPECIFIED) | DIMENSION STYLE        | SCALE   | DESIGN UNITS | THIRD ANGLE PROJECTION |
|   | DESCRIPTION           | mm INCH                               | MM/IN                  | INCH  | INCH         |                        |
|   | REVISIONS             | 4 PLACES ± --- ± ---                  | DRAWN BY DATE          | TITLE   |              |                        |
|   |                       | 3 PLACES ± --- ± .005                 | R. KEMP 2001/12/05     | 5.08/200 SINGLE ROW EUROSTYLE HEADER ASSEMBLY   |              |                        |
|   | 2 PLACES ± 0.13 ± .01 | 1 PLACE ± 0.3 ± ---                   | CHECKED BY DATE        | MOLEX INCORPORATED  |              |                        |
|   | ANGULAR ± 2 °         |                                       | R. KEMP 2003/10/07     | DOCUMENT NO. SD-39980-006   |              |                        |
|   |                       |                                       | APPROVED BY DATE       | SHEET NO. 1 OF 1  |              |                        |
|   |                       |                                       | L. ROTHMAUS 2003/10/17 | THIS DRAWING CONTAINS INFORMATION THAT IS PROPRIETARY TO MOLEX INCORPORATED AND SHOULD NOT BE USED WITHOUT WRITTEN PERMISSION |              |                        |
|   |                       |                                       | MATERIAL NO.           |   |              |                        |
|   |                       |                                       | SIZE B                 |   |              |                        |

| ITEM | QTY. | DESCRIPTION | MATERIAL | FINISH |
|------|------|-------------|----------|--------|
| 2    | XX   | HEADER PIN  | BRASS    | TIN    |
| 1    | 1    | INSULATOR   | NYLON    | BLACK  |