



Chipsmall Limited consists of a professional team with an average of over 10 year of expertise in the distribution of electronic components. Based in Hongkong, we have already established firm and mutual-benefit business relationships with customers from,Europe,America and south Asia,supplying obsolete and hard-to-find components to meet their specific needs.

With the principle of “Quality Parts,Customers Priority,Honest Operation,and Considerate Service”,our business mainly focus on the distribution of electronic components. Line cards we deal with include Microchip,ALPS,ROHM,Xilinx,Pulse,ON,Everlight and Freescale. Main products comprise IC,Modules,Potentiometer,IC Socket,Relay,Connector.Our parts cover such applications as commercial,industrial, and automotives areas.

We are looking forward to setting up business relationship with you and hope to provide you with the best service and solution. Let us make a better world for our industry!



Contact us

Tel: +86-755-8981 8866 Fax: +86-755-8427 6832

Email & Skype: info@chipsmall.com Web: www.chipsmall.com

Address: A1208, Overseas Decoration Building, #122 Zhenhua RD., Futian, Shenzhen, China





KEN SERIES

HIGH PERFORMANCE IEC INLET SNAP-IN FILTERS



INTRODUCTIONS

1. Applications for UL 544 & UL 2601 health care equipment.
2. Specially designed with ground choke providing most effective EMI suppression for high frequency noise (ranged 5MHz-25MHz).
3. Bleeder resistor can be added with suffix "-R" on part numbers.
4. With optional 0.1uF X capacitor instead of 0.047.
5. With optional solder lug connection instead of fast on terminal.

COMPONENTS

PART NO.	L (mH)	Cx (uF)	Lg (uH)
03KENG3DAM/03KENW3DAM	3.1	0.047	100
03KENG3EAM/03KENW3EAM	3.1	0.1	
* 08KENG3DAM/08KENW3DAM	0.8	0.047	
* 08KENG3EDAM/08KENW3EAM	0.8	0.1	
**10KENG3DAM/10KENW3DAM	0.4	0.047	
**10KENG3EAM/10KENW3EAM	0.4	0.1	

** UL, CSA & VDE approved to 9A 115/250VAC
 * VDE approved to 6A 250V

MINIMUM INSERTION LOSS IN dB

COMMON MODE (L-G) IN 50 OHM SYSTEM						
CURRENT RATING	FREQUENCY-MHz					
	.15	.50	1.0	5.0	10	30
3A	20	30	30	30	25	10
8A	10	12	15	15	15	10
10A	5	10	12	12	12	10
DIFFERENTIAL MODE (L-L) IN 50 OHM SYSTEM						
3A	0	10	12	25	25	20
8A	0	10	12	25	25	20
10A	0	10	12	25	25	20

MECHANICAL CONSTRUCTION



G3DAM

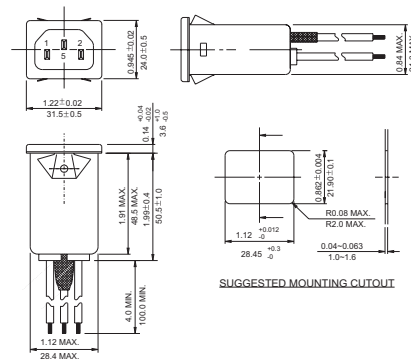
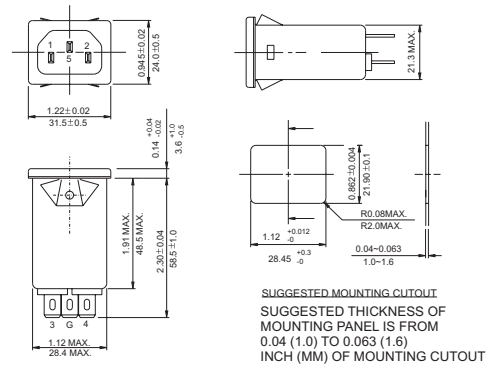
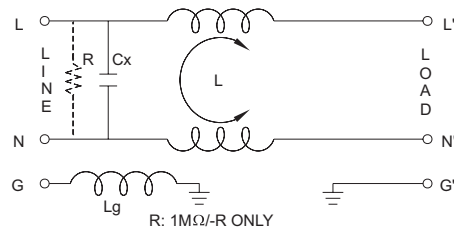


W3DAM

SPECIFICATIONS

1. Maximum leakage current each line-to-ground @ 115VAC 60Hz: 2uA @ 250VAC 50Hz: 5uA
2. Hipot rating (one minute) line-to-ground: 2250VDC line-to-line: 1450VDC
3. Operating frequency: 50/60Hz
4. Rated voltage: 115/250VAC

ELECTRICAL SCHEMATIC



ALL WIRE LEADS 4.0" LONG MIN. UNIT: INCH/mm