



Chipsmall Limited consists of a professional team with an average of over 10 year of expertise in the distribution of electronic components. Based in Hongkong, we have already established firm and mutual-benefit business relationships with customers from,Europe,America and south Asia,supplying obsolete and hard-to-find components to meet their specific needs.

With the principle of “Quality Parts,Customers Priority,Honest Operation,and Considerate Service”,our business mainly focus on the distribution of electronic components. Line cards we deal with include Microchip,ALPS,ROHM,Xilinx,Pulse,ON,Everlight and Freescale. Main products comprise IC,Modules,Potentiometer,IC Socket,Relay,Connector.Our parts cover such applications as commercial,industrial, and automotives areas.

We are looking forward to setting up business relationship with you and hope to provide you with the best service and solution. Let us make a better world for our industry!



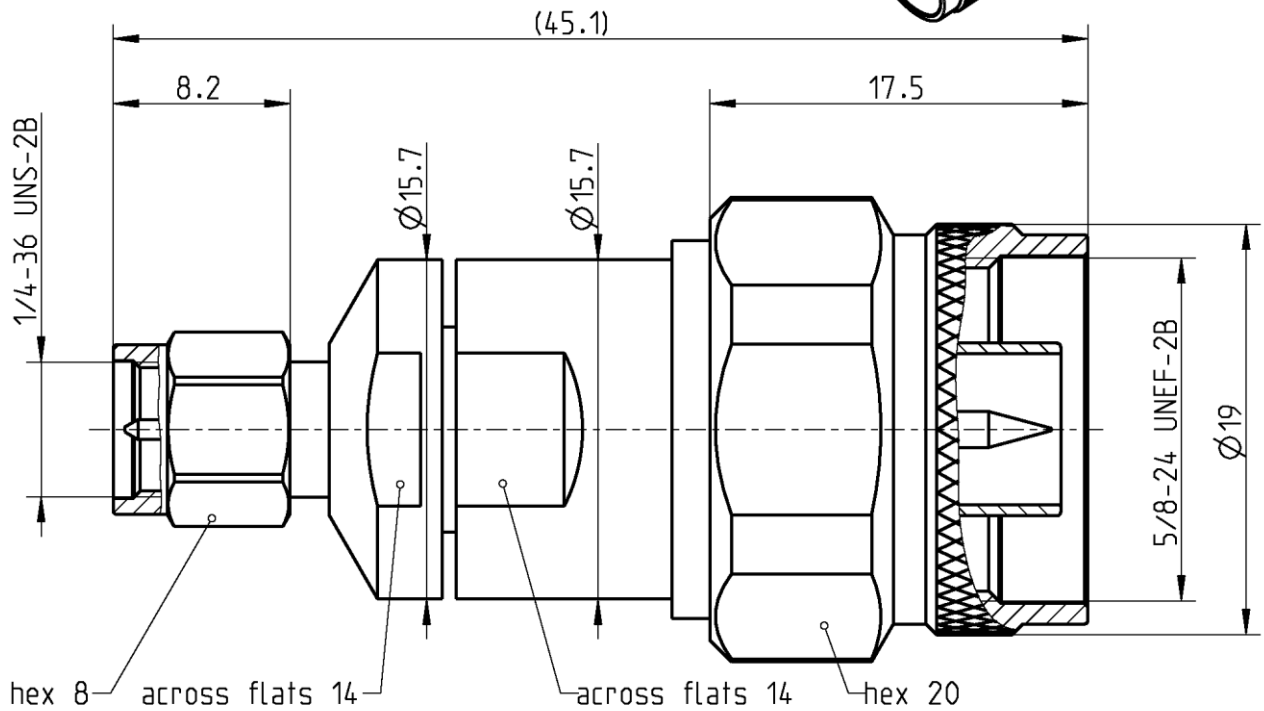
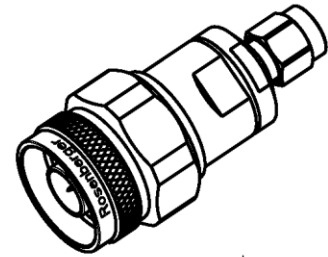
## Contact us

Tel: +86-755-8981 8866 Fax: +86-755-8427 6832

Email & Skype: info@chipsmall.com Web: www.chipsmall.com

Address: A1208, Overseas Decoration Building, #122 Zhenhua RD., Futian, Shenzhen, China





All dimensions are in mm; tolerances according to ISO 2768 m-H

**Interface**

RPC-3.50 according to  
RPC-3.50 mechanically compatible with  
RPC-N according to

IEC 60169-23  
RPC-2.92 and SMA  
IEC 61169-16; MIL-STD 348A/402

**Documents**

N/A

**Material and plating**

**Connector parts**

- Center contact
- Outer contact
- Coupling nut
- Dielectric
- Gasket

**Material**

- CuBe
- Stainless steel
- Stainless steel
- PPE
- Silicone

**Plating**

- Gold, min. 1.27  $\mu\text{m}$ , over chemical nickel
- Passivated
- Passivated

**Adaptor**  
RPC-3.50 plug – RPC-N 50 Ω plug

**03S105-S00S3**

**Electrical data**

Impedance 50 Ω  
 Frequency DC to 18 GHz  
 Return loss ≥ 26 dB, DC to 18 GHz  
 Insertion loss ≤ 0.05 x √f(GHz) dB  
 Insulation resistance ≥ 5 GΩ  
 Test voltage (at sea level) 1000 V rms  
 Working voltage (at sea level) 335 V rms  
 RF-leakage ≥ 90 dB up to 1 GHz

**Mechanical data**

Mating cycles ≥ 500  
 Center contact captivation ≥ 28 N  
 Coupling test torque RPC-3.50 1.70 Nm  
 Recommended torque RPC-3.50 0.80 Nm to 1.10 Nm  
 Coupling test torque RPC-N 1.70 Nm  
 Recommended torque RPC-N 0.70 Nm to 1.10 Nm

**Environmental data**

Temperature range -40°C to +85°C  
 Thermal shock MIL-STD-202, Meth. 107, Cond. B  
 Corrosion MIL-STD-202, Meth. 101, Cond. B  
 Vibration MIL-STD-202, Meth. 204, Cond. D  
 Shock MIL-STD-202, Meth. 213, Cond. I  
 Moisture resistance MIL-STD-202, Meth. 106  
 RoHS compliant

**Tooling**

N/A

**Suitable cables**

N/A

**Weight**

43.6 g/pce

While the information has been carefully compiled to the best of our knowledge, nothing is intended as representation or warranty on our part and no statement herein shall be construed as recommendation to infringe existing patents. In the effort to improve our products, we reserve the right to make changes judged to be necessary.

Draft	Date	Approved	Date	Rev.	Engineering change number	Name	Date
Herbert Babinger	17.05.04	F. Reiner	20.06.18	b01	18-1026	M.Ruf	20.06.18

Rosenberger Hochfrequenztechnik GmbH & Co. KG  
 P.O.Box 1260 D-84526 Tittmoning Germany  
[www.rosenberger.de](http://www.rosenberger.de)

Tel. : +49 8684 18-0  
 Email : [info@rosenberger.de](mailto:info@rosenberger.de)

Page  
 2 / 2