



Chipsmall Limited consists of a professional team with an average of over 10 year of expertise in the distribution of electronic components. Based in Hongkong, we have already established firm and mutual-benefit business relationships with customers from,Europe,America and south Asia,supplying obsolete and hard-to-find components to meet their specific needs.

With the principle of “Quality Parts,Customers Priority,Honest Operation,and Considerate Service”,our business mainly focus on the distribution of electronic components. Line cards we deal with include Microchip,ALPS,ROHM,Xilinx,Pulse,ON,Everlight and Freescale. Main products comprise IC,Modules,Potentiometer,IC Socket,Relay,Connector.Our parts cover such applications as commercial,industrial, and automotives areas.

We are looking forward to setting up business relationship with you and hope to provide you with the best service and solution. Let us make a better world for our industry!



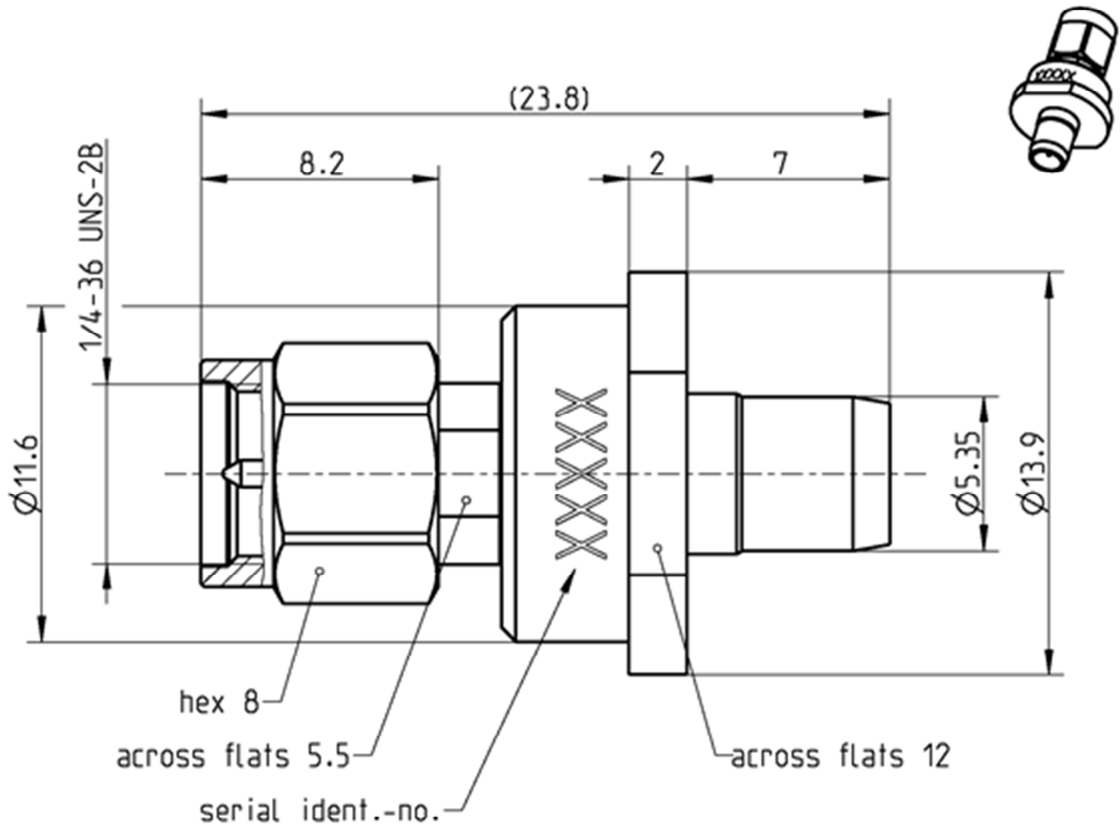
Contact us

Tel: +86-755-8981 8866 Fax: +86-755-8427 6832

Email & Skype: info@chipsmall.com Web: www.chipsmall.com

Address: A1208, Overseas Decoration Building, #122 Zhenhua RD., Futian, Shenzhen, China





All dimensions are in mm; tolerances according to ISO 2768 m-H

Interface

RPC-3.50 according to
RPC-3.50 mechanically compatible with
RPC-SP according to
RPC-SP mechanically compatible with

IEC 60169-23
RPC-2.92 and SMA
MIL-STD 348A and IEC 61169-33
OSP and BMA

Documents

Application note

AN001 "Calibration Services"

Material and plating

Connector parts
Center conductor
Outer conductor
Coupling nut
Dielectric

Material
CuBe
Stainless steel
Stainless steel
PS

Plating
Gold, min. 1.27 µm, over nickel
Passivated
Passivated

Dieses Dokument ist urheberrechtlich geschützt • This document is protected by copyright • Rosenberger Hochfrequenztechnik GmbH & Co. KG

RF_35/09.14/6.2

Electrical data

Frequency	DC to 22 GHz
Return loss	≥ 34 dB, DC to 4 GHz ≥ 26 dB, 4 GHz to 22 GHz

Mechanical data

	RPC-3.50	RPC-SP
Mating cycles	≥ 500	≥ 1000
Maximum torque	1.70 Nm	
Recommended torque	0.90 Nm	
Engagement force		13.5 N
Disengagement force		2 N
Gauge	0.00 mm to 0.08 mm	3.25 mm to 3.35 mm

General standard definition

For proper operation the vector network analyzer (VNA) needs a model describing the electrical behaviour of this calibration standard. The different models, units, and terms used will depend on the VNA type and they will have to be entered into the VNA. All values are based on typical geometry and plating.

Offset Z_0 / Impedance / Z_0	50 Ω
Offset Delay	70.8001 ps
Length (electrical) / Offset Length	21.23 mm
Offset Loss	3.60 G Ω /s
Loss	0.0221 dB/ $\sqrt{\text{GHz}}$

Environmental data

Operating temperature range ¹	+20 °C to +26 °C
Rated temperature range of use ²	0 °C to +50 °C
Storage temperature range	- 40 °C to +85 °C

RoHS compliant

¹ Temperature range over which these specification are valid.

² This range is underneath and above the operating temperature range, within the calibration adaptor is fully functional and could be used without damage.

Declaration of calibration options

Factory Calibration

Standard delivery for this calibration standard includes a Factory Calibration. The Calibration Certificate issued reports individual calibration results, **traceable to Rosenberger standards**, national / international standards are not available. Model based standard definitions are reported in an Agilent/Keysight, Rohde & Schwarz and Anritsu compatible VNA format.

Accredited Calibration

Not available.

For further, more detailed information see application note AN001 on the Rosenberger homepage.

Calibration interval

Recommendation 12 months

Recommended accessories

- Rosenberger Test Port Adaptor
- Rosenberger RPC-3.50 Kalibration-Kit 03CK001-150 and 03CK010-150
- Rosenberger VNA Test cable kit and Microwave Cable Assemblies

For further, more detailed information please visit our homepage www.rosenberger.com.

Packing

Standard 1 pce in box
Weight 8.2 g/pce

While the information has been carefully compiled to the best of our knowledge, nothing is intended as representation or warranty on our part and no statement herein shall be construed as recommendation to infringe existing patents. In the effort to improve our products, we reserve the right to make changes judged to be necessary.

Draft	Date	Approved	Date	Rev.	Engineering change number	Name	Date
Herbert Babinger	19.05.04	Markus Müller	17.10.16	d00	16-1390	Marion Striegler	17.10.16
Rosenberger Hochfrequenztechnik GmbH & Co. KG P.O.Box 1260 D-84526 Tittmoning Germany www.rosenberger.de					Tel. : +49 8684 18-0 Email : info@rosenberger.de		Page 3 / 3