



Chipsmall Limited consists of a professional team with an average of over 10 year of expertise in the distribution of electronic components. Based in Hongkong, we have already established firm and mutual-benefit business relationships with customers from,Europe,America and south Asia,supplying obsolete and hard-to-find components to meet their specific needs.

With the principle of “Quality Parts,Customers Priority,Honest Operation,and Considerate Service”,our business mainly focus on the distribution of electronic components. Line cards we deal with include Microchip,ALPS,ROHM,Xilinx,Pulse,ON,Everlight and Freescale. Main products comprise IC,Modules,Potentiometer,IC Socket,Relay,Connector.Our parts cover such applications as commercial,industrial, and automotives areas.

We are looking forward to setting up business relationship with you and hope to provide you with the best service and solution. Let us make a better world for our industry!



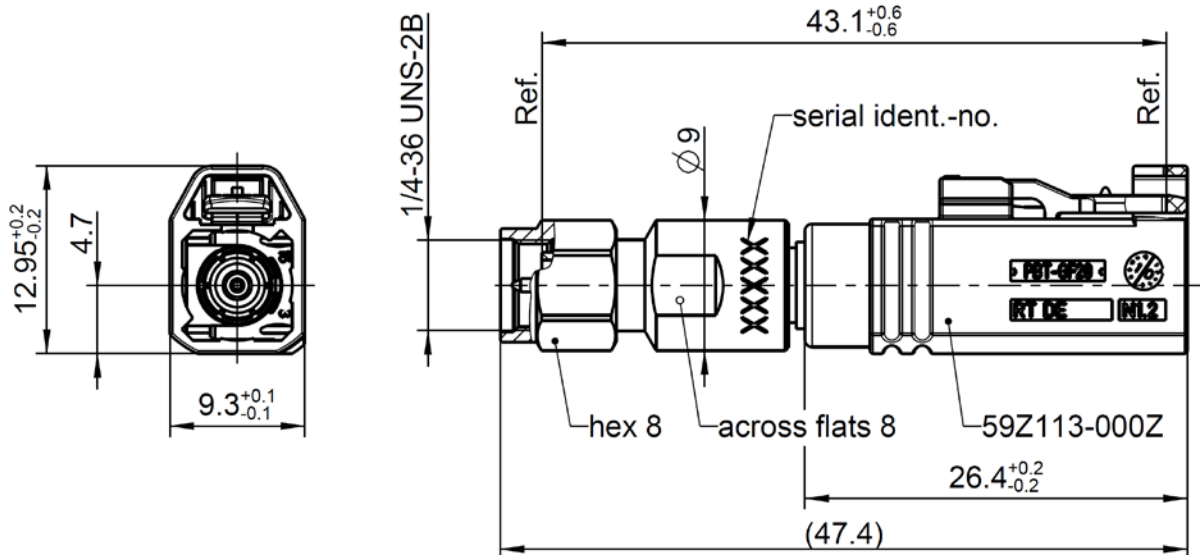
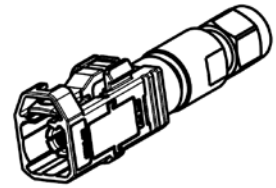
## Contact us

Tel: +86-755-8981 8866 Fax: +86-755-8427 6832

Email & Skype: info@chipsmall.com Web: www.chipsmall.com

Address: A1208, Overseas Decoration Building, #122 Zhenhua RD., Futian, Shenzhen, China





All dimensions are in mm; tolerances according to ISO 2768 m-H

**Interface**

RPC-3.50 side	IEC 60169-23
According to	RPC-2.92 and SMA
Mechanically compatible with	
SMB Fakra side	DIN 72594-1
According to	

**Documents**

Application note	AN001 "Calibration Services"
------------------	------------------------------

**Material and plating**

Connector parts	Material	Plating
Center conductor	CuBe	Gold, min. 1.27 µm, over nickel
Outer conductor RPC-3.50	Stainless steel	Passivated
Outer conductor SMB Fakra	Brass	AuroDur®, gold plated
Dielectric RPC-3.50	PS	
Dielectric SMB Fakra	PTFE	
Coupling nut RPC-3.50	Stainless steel	Passivated
Locking ring SMB Fakra	CuBe	
Housing SMB Fakra	PBT-GF20	
Secondary Lock SMB Fakra	PBT-GF10	

Dieses Dokument ist urheberrechtlich geschützt • This document is protected by copyright • Rosenberger Hochfrequenztechnik GmbH & Co. KG

RF\_35/09.14/6.2

**Electrical data**

Frequency	DC to 6 GHz
Return loss	≥ 35 dB, DC to 1 GHz ≥ 26 dB, 1 GHz to 3 GHz ≥ 21 dB, 3 GHz to 6 GHz

**Mechanical data**

Mating cycles	RPC-3.50 ≥ 500	SMB Fakra ≥ 500 (SMB Fakra Interface) ≥ 25 (SMB Fakra housing)
Maximum torque	1.70 Nm	
Recommended torque	0.90 Nm	
Engagement force		≤ 25 N
Disengagement force		≥ 2 N
Gauge	0.00 mm to 0.08 mm	

**General standard definition**

For proper operation the vector network analyzer (VNA) needs a model describing the electrical behaviour of this calibration standard. The different models, units, and terms used will depend on the VNA type and they will have to be entered into the VNA. All values are based on typical geometry and plating.

Offset $Z_o$ / Impedance / $Z_o$	50 $\Omega$
Offset Delay	157.3250 ps
Length (electrical) / Offset Length	47.16 mm
Offset Loss	2.07 G $\Omega$ /s
Loss	0.0283 dB/ $\sqrt{\text{GHz}}$

**Environmental data**

Operating temperature range <sup>1</sup>	+20 °C to +26 °C
Rated temperature range of use <sup>2</sup>	0 °C to +50 °C
Storage temperature range	- 40 °C to +85 °C

RoHS compliant

<sup>1</sup> Temperature range over which these specification are valid.

<sup>2</sup> This range is underneath and above the operating temperature range, within the calibration adaptor is fully functional and could be used without damage.



**Declaration of calibration options**

**Factory Calibration**

Standard delivery for this calibration standard includes a Factory Calibration. The Calibration Certificate issued reports individual calibration results, **traceable to Rosenberger standards**, national / international standards are not available. Model based standard definitions are reported in an Agilent/Keysight, Rohde & Schwarz and Anritsu compatible VNA format.

**Accredited Calibration**

Not available.

*For further, more detailed information see application note AN001 on the Rosenberger homepage.*

**Calibration interval**

Recommendation 12 months

**Packing**

Standard 1 pce in box  
Weight 11.5 g/pce

While the information has been carefully compiled to the best of our knowledge, nothing is intended as representation or warranty on our part and no statement herein shall be construed as recommendation to infringe existing patents. In the effort to improve our products, we reserve the right to make changes judged to be necessary.

Draft	Date	Approved	Date	Rev.	Engineering change number	Name	Date
Herbert Babinger	07.10.04	S. Andorfer	14.02.18	f01	17-1935	M. Knoll	14.02.18

Rosenberger Hochfrequenztechnik GmbH & Co. KG P.O.Box 1260 D-84526 Tittmoning Germany www.rosenberger.de	Tel. : +49 8684 18-0 Email : info@rosenberger.de	Page 3 / 3
--	---	---------------