



Chipsmall Limited consists of a professional team with an average of over 10 year of expertise in the distribution of electronic components. Based in Hongkong, we have already established firm and mutual-benefit business relationships with customers from,Europe,America and south Asia,supplying obsolete and hard-to-find components to meet their specific needs.

With the principle of “Quality Parts,Customers Priority,Honest Operation,and Considerate Service”,our business mainly focus on the distribution of electronic components. Line cards we deal with include Microchip,ALPS,ROHM,Xilinx,Pulse,ON,Everlight and Freescale. Main products comprise IC,Modules,Potentiometer,IC Socket,Relay,Connector.Our parts cover such applications as commercial,industrial, and automotives areas.

We are looking forward to setting up business relationship with you and hope to provide you with the best service and solution. Let us make a better world for our industry!



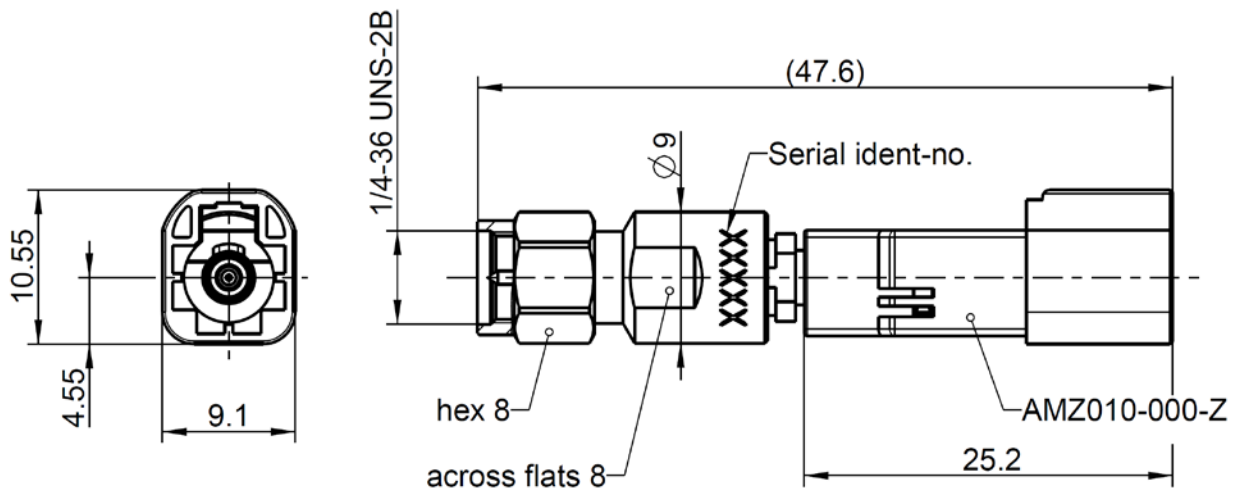
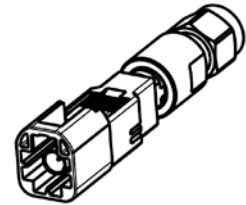
Contact us

Tel: +86-755-8981 8866 Fax: +86-755-8427 6832

Email & Skype: info@chipsmall.com Web: www.chipsmall.com

Address: A1208, Overseas Decoration Building, #122 Zhenhua RD., Futian, Shenzhen, China





All dimensions are in mm; tolerances according to ISO 2768 m-H

Interface

RPC-3.50 according to	IEC 60169-23
RPC-3.50 mechanically compatible with	RPC-2.92 and SMA
HFM according to	RN_108-01

Documents

Application note	AN001 "Calibration Services"
------------------	------------------------------

Material and plating

Connector parts

	Material	Plating
Center contact	CuBe	Gold, min. 1.27 µm, over chemical nickel
Outer contact RPC-3.50	Stainless steel	Passivated
Outer contact HFM	Brass	Gold, min. 1.27 µm, over chemical nickel
Dielectric RPC-3.50	PS	
Dielectric HFM	PEI	
Coupling nut RPC-3.50	Stainless steel	Passivated
Gasket RPC-3.50	Silicone	
Housing HFM	PBT GF20	
Secondary lock HFM	PBT GF20	

Dieses Dokument ist urheberrechtlich geschützt • This document is protected by copyright • Rosenberger Hochfrequenztechnik GmbH & Co. KG

RF_35/05.10/6.1

Electrical data

Frequency	DC to 15 GHz
Return loss	≥ 34 dB, DC to 1 GHz ≥ 25 dB, 1 GHz to 6 GHz ≥ 20 dB, 6 GHz to 12 GHz ≥ 18 dB, 12 GHz to 15 GHz

Mechanical data

	RPC-3.50	HFM
Mating cycles	≥ 500	≥ 500 ³
Mating cycles housing		≥ 25
Maximum torque	1.70 N	
Recommend torque	0.80 Nm to 1.10 Nm	
Engagement force		≤ 15 N
Disengagement force		≥ 2 N
Gauge	0.00 mm to 0.08 mm	

³ Limitations are possible due to the quality of the used mating connector

General standard definition

For proper operation the vector network analyser (VNA) needs a model describing the electrical behaviour of this calibration standard. The different models, units, and terms used will depend on the VNA type and they will have to be entered into the VNA. All values are based on typical geometry and plating.

Offset Z_0 / Impedance / Z_0	50 Ω
Offset Delay	143.0889 ps
Length (electrical) / Offset Length	42.90 mm
Offset Loss	4.26 G Ω /s
Loss	0.0529 dB / \sqrt{GHz}

Environmental data

Operating temperature range ¹	+20 °C to +26 °C
Rated temperature range of use ²	0 °C to + 50 °C
Storage temperature range	-40 °C to +85 °C

RoHS compliant

¹ Temperature range over which these specifications are valid.

² This range is underneath and above the operating temperature range, within the open circuit is fully functional and could be used without damage

Declaration of calibration options

Factory Calibration

Standard delivery for this calibration standard includes a Factory Calibration. The Calibration Certificate issued reports individual calibration results, **traceable to Rosenberger standards**, national / international standards are not available. Model based standard definitions are reported in an Agilent/Keysight, Rohde & Schwarz and Anritsu compatible VNA format.

Accredited Calibration

Not available.

For further, more detailed information see application note AN001 on the Rosenberger homepage.

Calibration interval

Recommendation 12 months

Weight

8.5 g/pce

While the information has been carefully compiled to the best of our knowledge, nothing is intended as representation or warranty on our part and no statement herein shall be construed as recommendation to infringe existing patents. In the effort to improve our products, we reserve the right to make changes judged to be necessary.

Draft	Date	Approved	Date	Rev.	Engineering change number	Name	Date
Florian Reiner	09.03.16	Martin Moder	24.11.17	300	17-1951	M. Rahberger	24.11.17
Rosenberger Hochfrequenztechnik GmbH & Co. KG P.O.Box 1260 D-84526 Tittmoning Germany www.rosenberger.de						Tel. : +49 8684 18-0 Email : info@rosenberger.de	
							Page
							3 / 3