



Chipsmall Limited consists of a professional team with an average of over 10 year of expertise in the distribution of electronic components. Based in Hongkong, we have already established firm and mutual-benefit business relationships with customers from,Europe,America and south Asia,supplying obsolete and hard-to-find components to meet their specific needs.

With the principle of “Quality Parts,Customers Priority,Honest Operation,and Considerate Service”,our business mainly focus on the distribution of electronic components. Line cards we deal with include Microchip,ALPS,ROHM,Xilinx,Pulse,ON,Everlight and Freescale. Main products comprise IC,Modules,Potentiometer,IC Socket,Relay,Connector.Our parts cover such applications as commercial,industrial, and automotives areas.

We are looking forward to setting up business relationship with you and hope to provide you with the best service and solution. Let us make a better world for our industry!



## Contact us

Tel: +86-755-8981 8866 Fax: +86-755-8427 6832

Email & Skype: info@chipsmall.com Web: www.chipsmall.com

Address: A1208, Overseas Decoration Building, #122 Zhenhua RD., Futian, Shenzhen, China





# QUARTER TURN COMPRESSION LOCK | VERSION 1

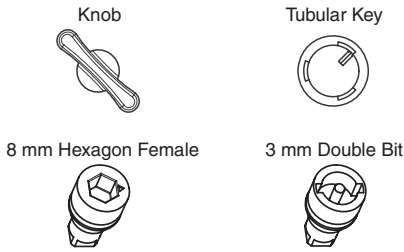
\*Example with cam.  
Cam sold separately.



### Specifications

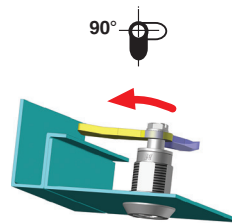
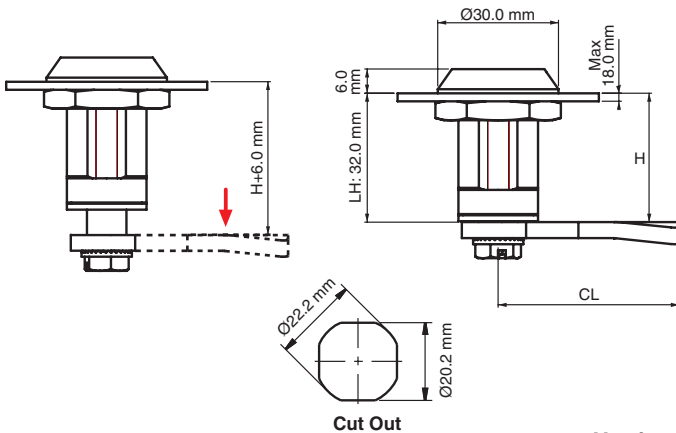
- Material:
  - Housing: Zinc Alloy (Zamak) DIN-EN 1774-ZnAl4Cu1
  - Driver: Zinc Alloy (Zamak) DIN-EN 1774-ZnAl4Cu1
  - Cam: Steel
  - Gasket: Rubber
- Finish: Chrome or black coated
- Provides 6 mm of compression
- Working Temperature Range: -58°F to 176°F (-50°C to 80°C)
- M22 Nut : Should be installed with 60 Nm
- M10 Nut: Should be installed with 10 Nm
- Max load capacity: 562 N

### Drivers

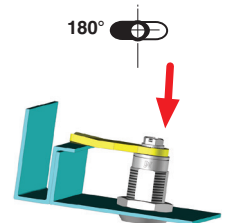


### Features

- Used for enclosures that require better sealing under vibrating conditions
- Provides noise isolation
- Alternative drivers / cams available
- Standard cams without stopper required for these locks
- The lock has been tested according to the DIN EN 61373 Category 1-B for vibration and shock
- Sealing glue is applied to the nut threads to get extra fastness against vibration and shock
- Applications: Electric panels, machinery covers, railway applications, construction equipment



**Unlock position**  
The first 90° of key rotation turns the cam to locking position

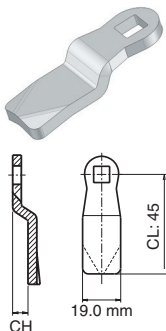


**Lock position**  
Further key rotation 180° applies compression

Version 1

Item Number		Chrome	Black	Driver	Hand
0401111300001	0401111300002	0401111300001	0401111300002	3mm Double bit	Right
0401116800001	0401116800002	0401116800001	0401116800002	8 mm Hex	Right
0401119300001	0401119300002	0401119300001	0401119300002	Tubular Key	Right
0401119400001	0401119400002	0401119400001	0401119400002	Wing Knob	Right

### Steel Cam



Item Number	CH (mm)	CL (mm)	H (mm)
30403117	0.0	45.0	32.0
30403557	1.0	45.0	33.0
30403581	2.0	45.0	34.0
30403054	3.0	45.0	35.0
30403197	4.0	45.0	36.0
30403128	6.0	45.0	38.0
30403583	8.0	45.0	40.0
30403584	10.0	45.0	42.0
30403123	12.0	45.0	44.0
30403422	14.0	45.0	46.0
30403410	16.0	45.0	48.0

Item Number	CH (mm)	CL (mm)	H (mm)
30403429	18.0	45.0	50.0
30403585	20.0	45.0	52.0
30403586	22.0	45.0	54.0
30403411	24.0	45.0	56.0
30403425	-2.0	45.0	30.0
30403198	-4.0	45.0	28.0
30403423	-6.0	45.0	26.0
30403412	-8.0	45.0	24.0
30403552	-10.0	45.0	22.0
30403587	-12.0	45.0	20.0
30403420	-14.0	45.0	18.0