



Chipsmall Limited consists of a professional team with an average of over 10 year of expertise in the distribution of electronic components. Based in Hongkong, we have already established firm and mutual-benefit business relationships with customers from,Europe,America and south Asia,supplying obsolete and hard-to-find components to meet their specific needs.

With the principle of “Quality Parts,Customers Priority,Honest Operation,and Considerate Service”,our business mainly focus on the distribution of electronic components. Line cards we deal with include Microchip,ALPS,ROHM,Xilinx,Pulse,ON,Everlight and Freescale. Main products comprise IC,Modules,Potentiometer,IC Socket,Relay,Connector.Our parts cover such applications as commercial,industrial, and automotives areas.

We are looking forward to setting up business relationship with you and hope to provide you with the best service and solution. Let us make a better world for our industry!



Contact us

Tel: +86-755-8981 8866 Fax: +86-755-8427 6832

Email & Skype: info@chipsmall.com Web: www.chipsmall.com

Address: A1208, Overseas Decoration Building, #122 Zhenhua RD., Futian, Shenzhen, China



Power terminal block - AK 16 - 0404033

Please be informed that the data shown in this PDF Document is generated from our Online Catalog. Please find the complete data in the user's documentation. Our General Terms of Use for Downloads are valid (<http://download.phoenixcontact.com>)




Power terminal block, Connection method Screw connection, Load current : 76 A, Cross section: 1.5 mm² - 16 mm², Width: 9.8 mm, Color: silver

Product description

Power terminal block, Connection method Screw connection, Load current : 76 A, Cross section: 1.5 mm² - 16 mm², Width: 9.8 mm, Color: silver



Key commercial data

Packing unit	1
Minimum order quantity	50
Catalog page	Page 499 (CL1-2011)
GTIN	 4 017918 001858
Weight per piece (including packing)	0.0 GRM
Weight per Piece (excluding packing)	9.51 GRM
Country of origin	CHINA

Technical data

General

Color	silver
Insulating material	PA
Inflammability class according to UL 94	V2

Dimensions

Length	23.5 mm
Width	9.8 mm

Technical data

Maximum load current	76 A (with 16 mm ² conductor cross section)
Nominal current I _N	76 A

Connection data

Conductor cross section solid min.	1.5 mm ²
Conductor cross section solid max.	16 mm ²

Power terminal block - AK 16 - 0404033

Technical data

Connection data

Conductor cross section stranded min.	1.5 mm ²
Conductor cross section stranded max.	16 mm ²
Conductor cross section AWG/kcmil min.	16
Conductor cross section AWG/kcmil max	6
Conductor cross section stranded, with ferrule without plastic sleeve min.	1.5 mm ²
Conductor cross section stranded, with ferrule without plastic sleeve max.	16 mm ²
Conductor cross section stranded, with ferrule with plastic sleeve min.	1.5 mm ²
Conductor cross section stranded, with ferrule with plastic sleeve max.	16 mm ²
2 conductors with same cross section, solid min.	1.5 mm ²
2 conductors with same cross section, solid max.	6 mm ²
2 conductors with same cross section, stranded min.	1.5 mm ²
2 conductors with same cross section, stranded max.	6 mm ²
2 conductors with same cross section, stranded, ferrules without plastic sleeve, min.	1.5 mm ²
2 conductors with same cross section, stranded, ferrules without plastic sleeve, max.	6 mm ²
2 conductors with same cross section, stranded, TWIN ferrules with plastic sleeve, min.	1.5 mm ²
2 conductors with same cross section, stranded, TWIN ferrules with plastic sleeve, max.	10 mm ²
Connection method	Screw connection
Stripping length	16 mm
Screw thread	M5
Tightening torque, min	2.5 Nm
Tightening torque max	3 Nm

Classifications

eClass

eClass 4.0	27141131
eClass 4.1	27141131
eClass 5.0	27141131
eClass 5.1	27141131
eClass 6.0	27141120

etim

ETIM 2.0	EC000897
ETIM 3.0	EC000897
ETIM 4.0	EC000897

Power terminal block - AK 16 - 0404033

Classifications

unspsc

UNSPSC 6.01	30211811
UNSPSC 7.0901	39121410
UNSPSC 11	39121410
UNSPSC 12.01	39121410
UNSPSC 13.2	39121410

Approvals

Certificates

Certification

GOST / GOST

Certification EX

Certification submitted

Approval details

GOST

GOST

Accessories

Accessories

Assembly

Support - UAB 1 - 3032431

Support, Width: 2 mm, Color: blue



Power terminal block - AK 16 - 0404033

Accessories

Support - ABN 2/SS - 0404460

Double support, insulating material, optionally for use with 3 x 10 mm or 6 x 6 mm busbar, height in closed state: 39 mm



Support - AB2/SS - 0404431

Double support, insulating material, optionally for use with 3 mm x 10 mm or 6 mm x 6 mm busbar, height: 48 mm



Support - AB/SS - 0404428

Support made of insulating material, with retaining screw, for use with either 3 x 10 mm or 6 x 6 mm busbar, color: gray



Neutral busbar - NLS-CU 3/10 SN 1000MM - 0402174

PEN conductor busbar, 3mm x 10 mm, length: 1000 mm



Marking

Zack marker strip - ZB 6:UNBEDRUCKT - 1051003

Zack marker strip, Strip, white, Unlabeled, Can be labeled with: Plotter, Mounting type: Snap into tall marker groove, For term



Tools

Power terminal block - AK 16 - 0404033

Accessories

Screwdriver - SZS 1,0X4,0 VDE - 1205066

Screwdriver, bladed, VDE insulated, size: 1.0 x 4.0 x 100 mm, 2-component grip, with non-slip grip



Screwdriver - SZS 1,0X6,5 VDE - 1205079

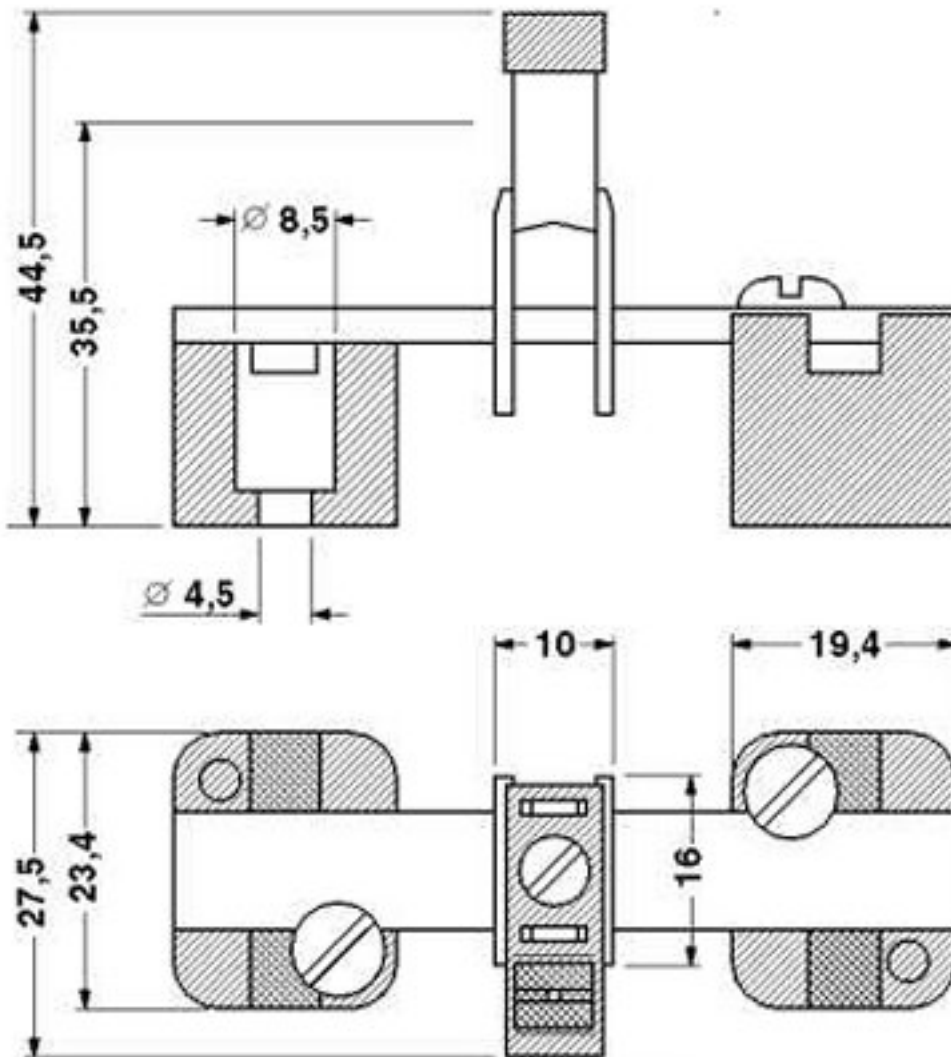
Screwdriver, bladed, VDE insulated, size: 1.0 x 6.5 x 150 mm, 2-component grip, with non-slip grip



Drawings

Power terminal block - AK 16 - 0404033

Dimensioned drawing



Power terminal block - AK 16 - 0404033

Dimensioned drawing

