



Chipsmall Limited consists of a professional team with an average of over 10 year of expertise in the distribution of electronic components. Based in Hongkong, we have already established firm and mutual-benefit business relationships with customers from,Europe,America and south Asia,supplying obsolete and hard-to-find components to meet their specific needs.

With the principle of “Quality Parts,Customers Priority,Honest Operation,and Considerate Service”,our business mainly focus on the distribution of electronic components. Line cards we deal with include Microchip,ALPS,ROHM,Xilinx,Pulse,ON,Everlight and Freescale. Main products comprise IC,Modules,Potentiometer,IC Socket,Relay,Connector.Our parts cover such applications as commercial,industrial, and automotives areas.

We are looking forward to setting up business relationship with you and hope to provide you with the best service and solution. Let us make a better world for our industry!



## Contact us

Tel: +86-755-8981 8866 Fax: +86-755-8427 6832

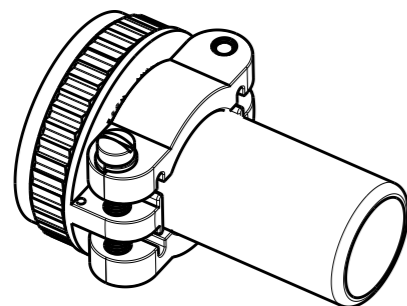
Email & Skype: info@chipsmall.com Web: www.chipsmall.com

Address: A1208, Overseas Decoration Building, #122 Zhenhua RD., Futian, Shenzhen, China

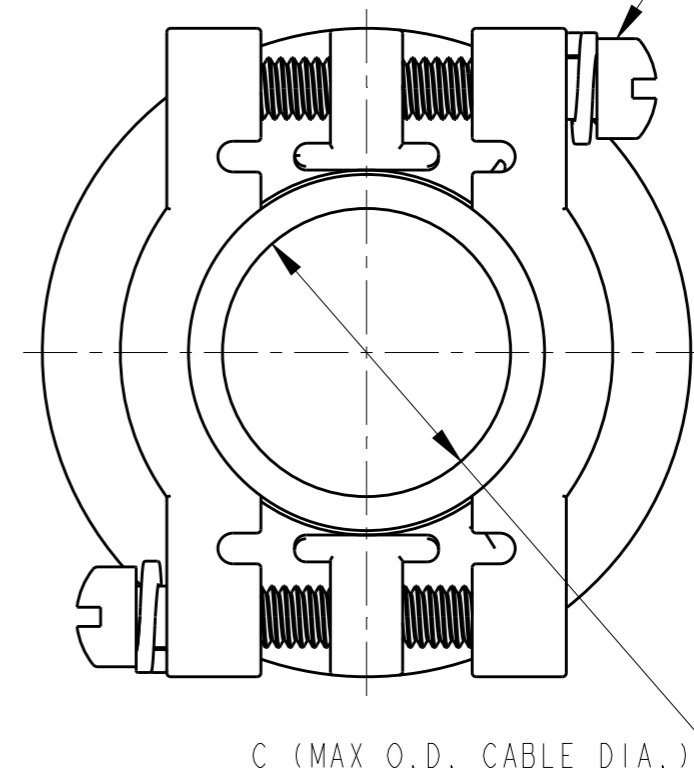
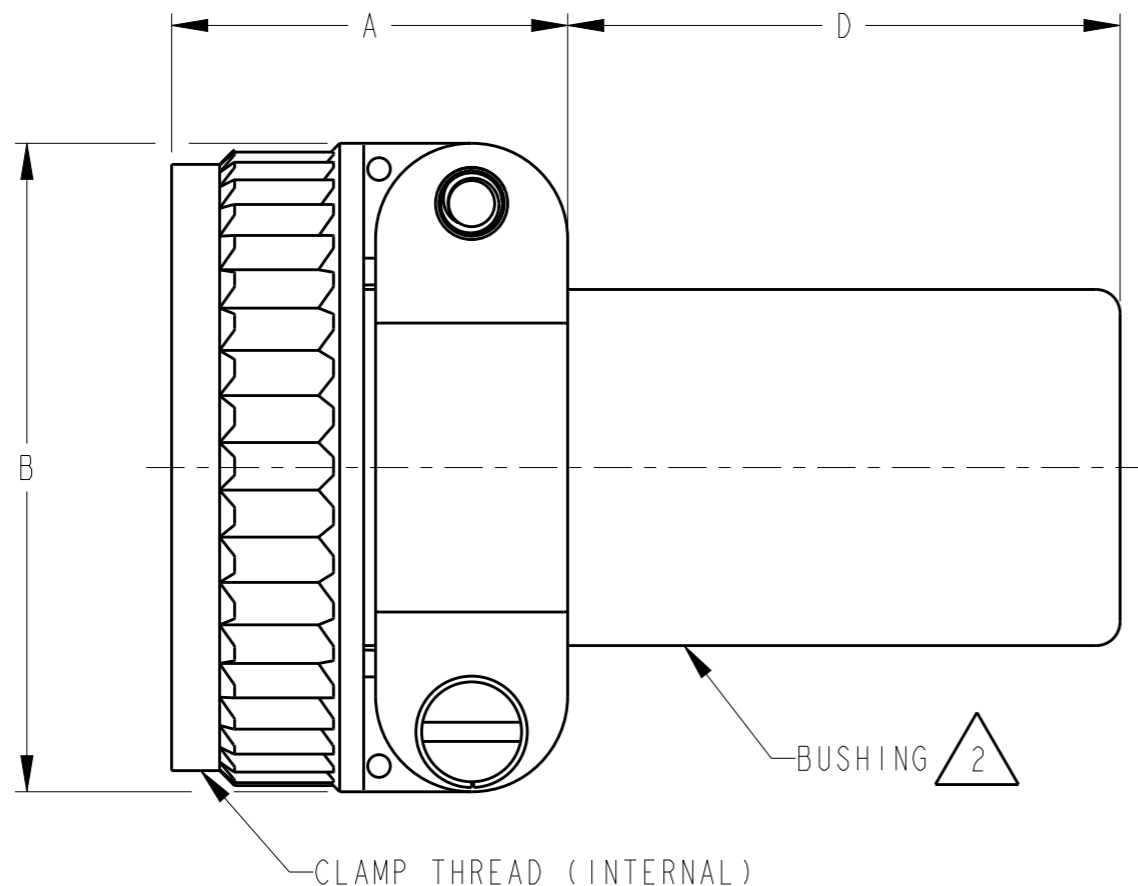


THIS DRAWING IS UNPUBLISHED  
 RELEASED FOR PUBLICATION 2015  
 © COPYRIGHT 2001 BY TE CONNECTIVITY ALL RIGHTS RESERVED.

LOC	DIST	REVISIONS			
P	LTR	DESCRIPTION	DATE	DWN	APVD
	E	REVISED PER E.O. P21466	01OCT2012	IG	DM
	E1	REVISED PER ECO-13-015566	03OCT2013	AM	DM
	E2	REVISED PER ECO-15-006803	08JUN2015	JA	DM
	F	REVISED PER PCN E-17-004158	22MAR2017	JA	DM



8-32 X 1 1/8 2A-RH  
 SLOTTED FILLISTER HEAD STAINLESS STEEL SCREW  
 WITH STAINLESS STEEL LOCK WASHER (2 REQ'D)  
 MAX TORQUE 17 IN-LB [1.92 N-M]



XX SIZE	TE INTERNAL PART NO.	DEUTSCH PART NO.	BUSHINGS (NEOPRENE) 2	CLAMP THREAD CLASS 2B	A ±.050 [1.27]	B ±.025 [.635]	C ±.050 [1.27]	D MAX.
18	0409-201-1800	0409-201-1800	1 EACH SUPPLIED	1.188-18 UNEF	.938 [23.82]	1.469 [37.31]	.760 [19.30]	1.800 [45.72]
24	0409-201-2400	0409-201-2400	2 EACH SUPPLIED	1.438-18 UNEF	1.031 [26.19]	1.688 [42.88]	.948 [24.08]	1.700 [43.18]

3. THE OPERATING TEMPERATURE IS -55°C TO 125°C.

2 BUSHINGS ARE SHIPPED LOOSE WITH CABLE CLAMP ASSEMBLIES IN A SEALED PLASTIC BAG. PART NUMBER LABEL AND COUNTRY OF ORIGIN, IF OTHER THAN USA, ON THE BAG.

1. FINISH: TIN OVER NICKEL PLATE. MAY DISCOLOR.

NOTES:

THIS DRAWING IS A CONTROLLED DOCUMENT.

DIMENSIONS: INCHES [mm]		TOLERANCES UNLESS OTHERWISE SPECIFIED:	
	0 PLC ±	1 PLC ±	2 PLC ±
	3 PLC ±.025 [0.64]	4 PLC ±	ANGLES ±0°30'0"
MATERIAL N/A	FINISH N/A		

DWN	02MAR2001
CHK	ALEX ROLINSKI
APVD	08JUN2004
	JAIME C. APOSTOL
	14JUN2004
	ROBIN REED
PRODUCT SPEC	N/A
APPLICATION SPEC	N/A
WEIGHT	
CUSTOMER DRAWING	

<b>STE</b> TE Connectivity			
NAME CABLE CLAMP HD30 SERIES			
SIZE	CAGE CODE	DRAWING NO	RESTRICTED TO
A3	4AFU8	0409-201-XX00	
SCALE 2:1		SHEET 1 OF 1	REV F