



Chipsmall Limited consists of a professional team with an average of over 10 year of expertise in the distribution of electronic components. Based in Hongkong, we have already established firm and mutual-benefit business relationships with customers from,Europe,America and south Asia,supplying obsolete and hard-to-find components to meet their specific needs.

With the principle of “Quality Parts,Customers Priority,Honest Operation,and Considerate Service”,our business mainly focus on the distribution of electronic components. Line cards we deal with include Microchip,ALPS,ROHM,Xilinx,Pulse,ON,Everlight and Freescale. Main products comprise IC,Modules,Potentiometer,IC Socket,Relay,Connector.Our parts cover such applications as commercial,industrial, and automotives areas.

We are looking forward to setting up business relationship with you and hope to provide you with the best service and solution. Let us make a better world for our industry!



Contact us

Tel: +86-755-8981 8866 Fax: +86-755-8427 6832

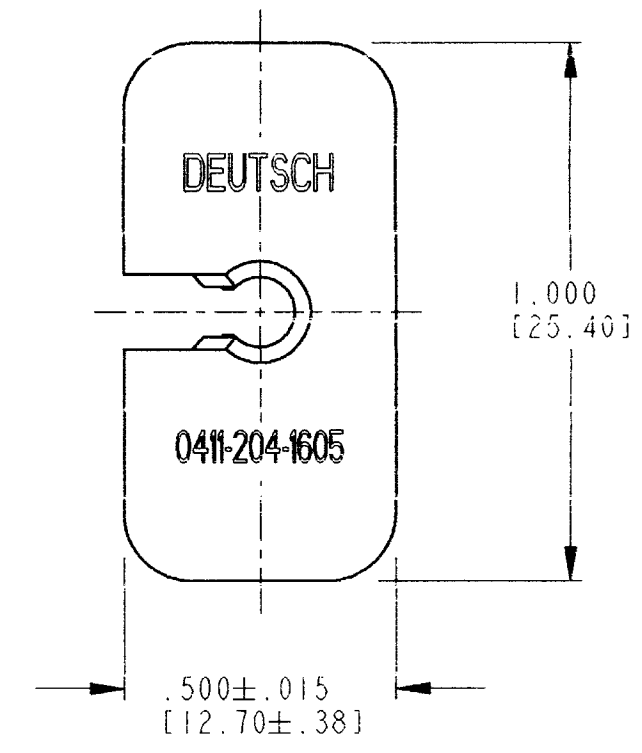
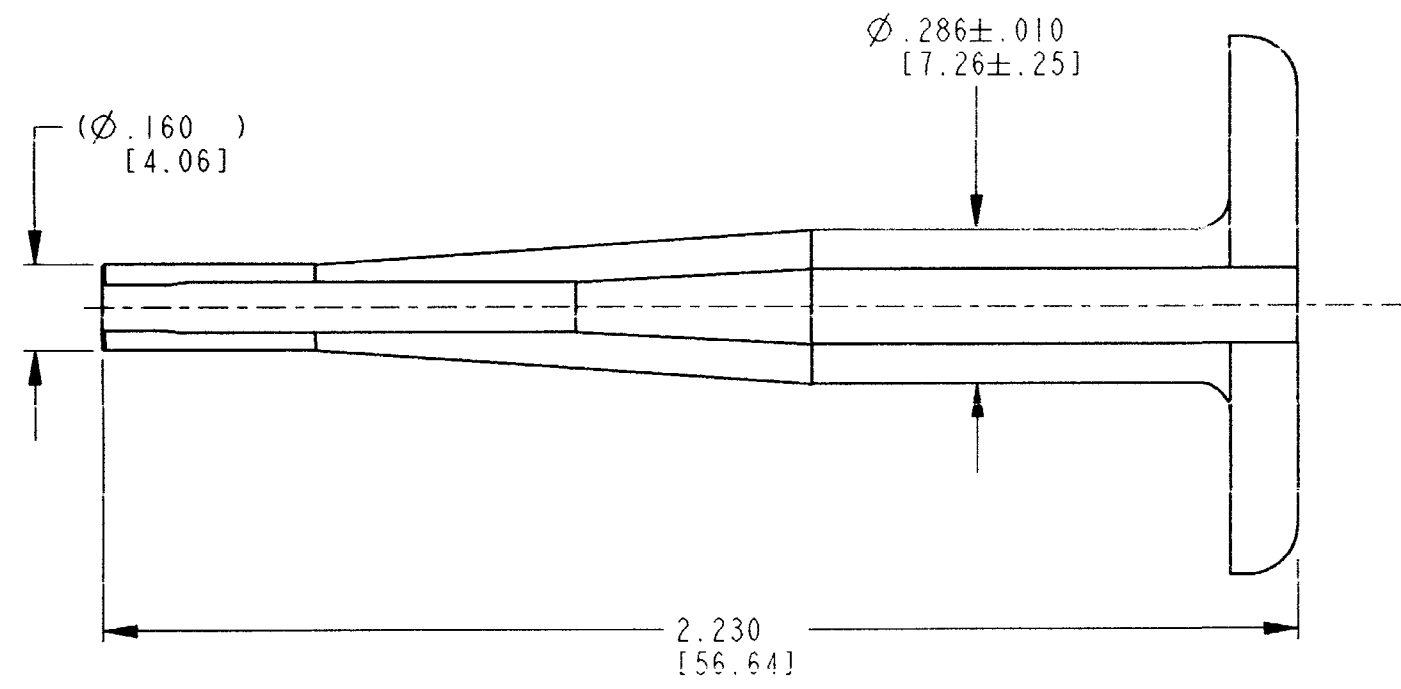
Email & Skype: info@chipsmall.com Web: www.chipsmall.com

Address: A1208, Overseas Decoration Building, #122 Zhenhua RD., Futian, Shenzhen, China



REV
C 0411-204-1605

REVISIONS			
SYM	DESCRIPTION	DATE	APPROVED
NC	NEW RELEASE PER E.O. 84/40	11/1/77	A.
A	REVISED PER E.O. A6838	7/1/87	J.R.A.
B	REVISED/REDRAWN PER E.O. P19263	5/25/06	R.D.R.
C	REVISED PER E.O. P20248	7-20-09	RDR



NOTES: 1. DIMENSIONS ARE IN INCHES [MILLIMETERS].
 2. ALL DIMENSIONS ARE $\pm .025$ [.64] UNLESS OTHERWISE SPECIFIED.
 3. MATERIAL: PLASTIC, BLUE.

SIGNATURE & DATE	
DR	A. MALAGON 17MAY06
CHK	
PE	
APPD	
SCALE	NONE WT

PROBE TOOL
EXTRACTION
SIZE 16

ENVELOPE

EP	MAIL CODE
	3850 INDUSTRIAL AVE. HEWET, CA 92545
DEUTSCH INDUSTRIAL	
B	0411-204-1605
DWG SIZE	CODE 11139 SHEET OF