



Chipsmall Limited consists of a professional team with an average of over 10 year of expertise in the distribution of electronic components. Based in Hongkong, we have already established firm and mutual-benefit business relationships with customers from,Europe,America and south Asia,supplying obsolete and hard-to-find components to meet their specific needs.

With the principle of "Quality Parts,Customers Priority,Honest Operation,and Considerate Service",our business mainly focus on the distribution of electronic components. Line cards we deal with include Microchip,ALPS,ROHM,Xilinx,Pulse,ON,Everlight and Freescale. Main products comprise IC,Modules,Potentiometer,IC Socket,Relay,Connector.Our parts cover such applications as commercial,industrial, and automotives areas.

We are looking forward to setting up business relationship with you and hope to provide you with the best service and solution. Let us make a better world for our industry!



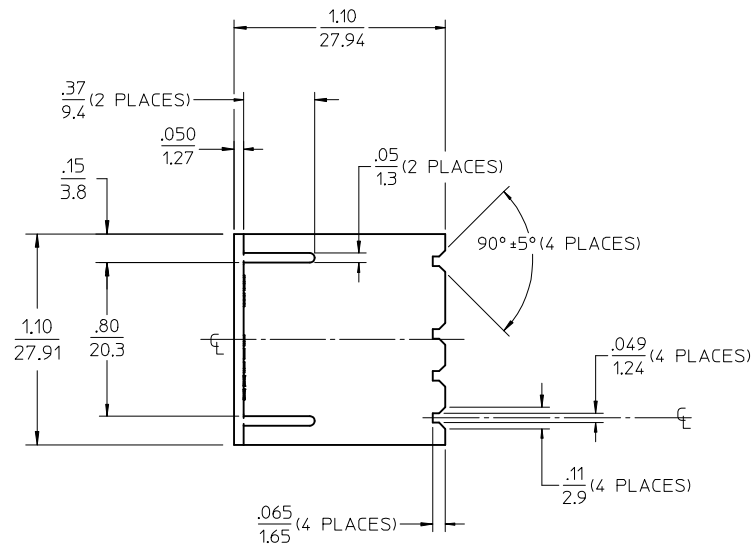
Contact us

Tel: +86-755-8981 8866 Fax: +86-755-8427 6832

Email & Skype: info@chipsmall.com Web: www.chipsmall.com

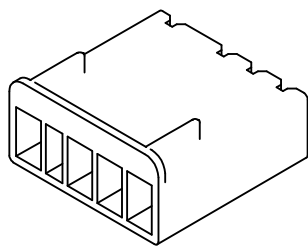
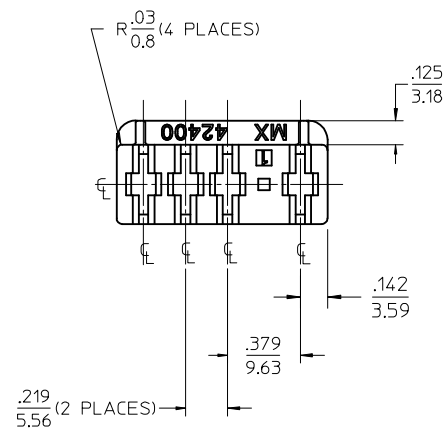
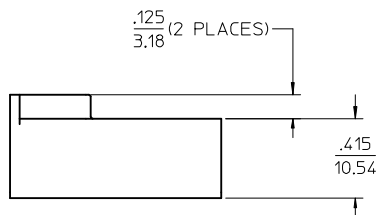
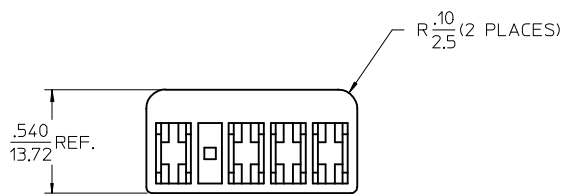
Address: A1208, Overseas Decoration Building, #122 Zhenhua RD., Futian, Shenzhen, China





NOTES:

1. MATERIAL: SEE SHEET 3
2. FINISH: NONE
3. PRODUCT SPECIFICATION: NONE
4. PACKAGING PER PK-42400-001
5. HOUSING ACCEPTS 41422 SERIES .250 FEMALE CRIMP TERMINALS AND MATES WITH .250/6.35 WIDE, .31/7.9 LONG, .032/0.81 THICK SPADE TERMINALS.
6. SEE SHEET 3 FOR 4-CKT. OPTIONS AND PART NUMBERS.

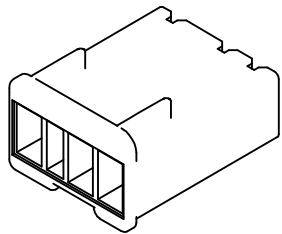
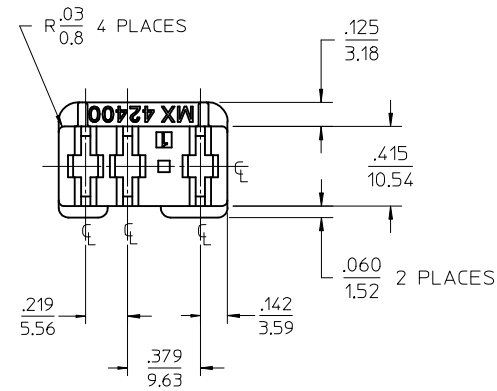
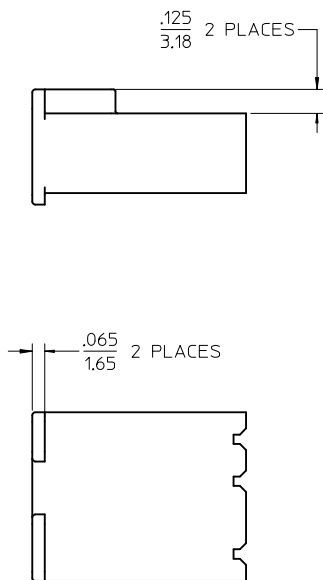
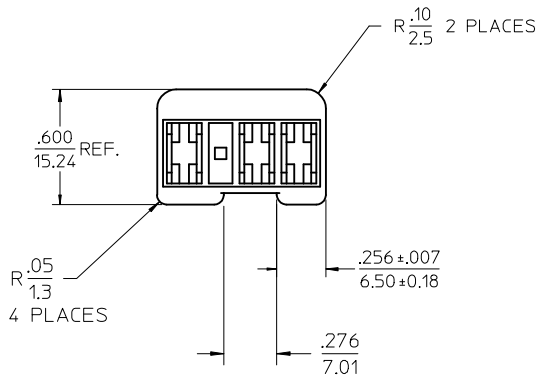
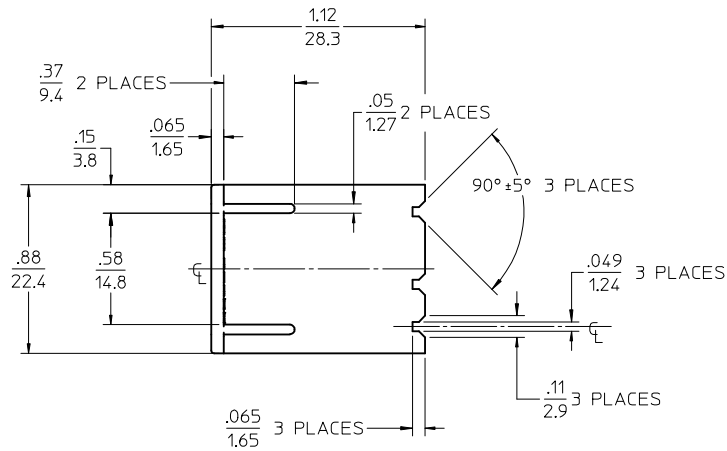


4-CKT HOUSING

MODIFY 3-CKT VER. EC NO: UCP2009-3090 DRWN: BWIRKUS 2009/06/22 CHKD: 2009/06/22 APPR: BWIRKUS 2009/07/28	QUALITY SYMBOLS ▽=0 ▽=0	GENERAL TOLERANCES (UNLESS SPECIFIED)		DIMENSION STYLE IN/MM	SCALE 2:1	DESIGN UNITS INCH	THIRD ANGLE PROJECTION	
		4 PLACES ± --- ± --- 3 PLACES ± --- ± .005 2 PLACES ± 0.13 ± .010 1 PLACE ± 0.25 ± --- ANGULAR ± 1/2°	mm INCH	DRAWN BY B. WIRKUS	DATE 9-4-2008	TITLE POWER RECEPTACLE HOUSING 3 & 4 CKT; DUAL FLANGE FOR .250 FEM. FLAT BLADE		
B1	REV	DRAFT WHERE APPLICABLE MUST REMAIN WITHIN DIMENSIONS		CHECKED BY B. WIRKUS	DATE 9-4-2008	MOLEX INCORPORATED		
		SEE SHEET 3		APPROVED BY A. PATEL	DATE 9-5-2008	DOCUMENT NO. SD-42400-001	SHEET NO. 1 OF 3	

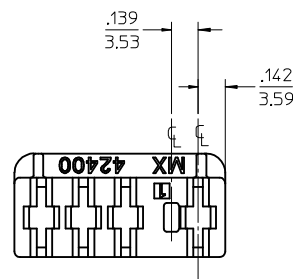
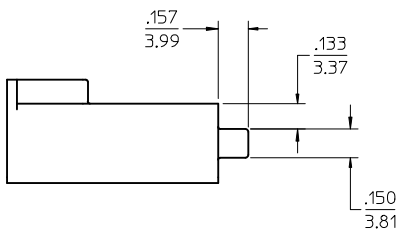
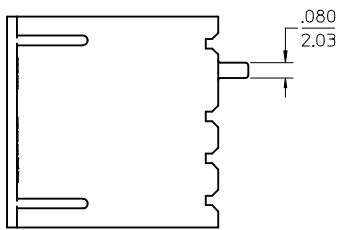
NOTES:

1. MATERIAL: PA6 (NYLON), UL94V-0, BLACK
2. FINISH: NONE
3. PRODUCT SPECIFICATION: NONE
4. PACKAGING PER PK-42400-001
5. HOUSING ACCEPTS 41422 SERIES .250 FEMALE CRIMP TERMINALS AND MATES WITH .250/6.35 WIDE, .31/.79 LONG, .032/0.81 THICK SPADE TERMINALS.
6. SEE SHEET 3 FOR PART NUMBER AND DESCRIPTION.

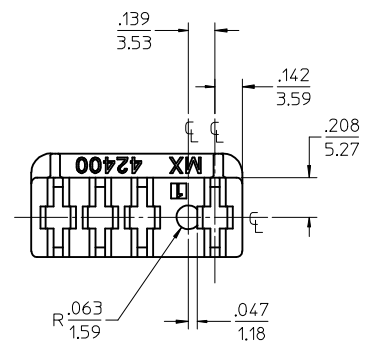
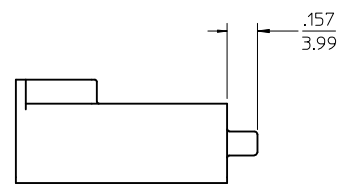
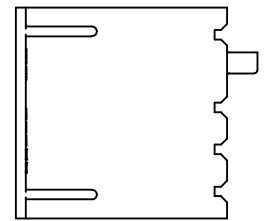


3-CKT. HOUSING

ADD 2ND FLANGE EC NO: UCP2009-3090 DRWN: BWIRKUS 2009/06/22 CHKD: 2009/06/22 APPR: BWIRKUS 2009/07/28	QUALITY SYMBOLS	GENERAL TOLERANCES (UNLESS SPECIFIED)	DIMENSION STYLE	SCALE	DESIGN UNITS	THIRD ANGLE PROJECTION
	▼=0 ▽=0	mm INCH 4 PLACES ± --- ± --- 3 PLACES ± --- ± .005 2 PLACES ± 0.13 ± .010 1 PLACE ± 0.25 ± --- ANGULAR ± 1/2°	IN/MM DRAWN BY DATE B. WIRKUS 9-4-2008 CHECKED BY DATE B. WIRKUS 9-4-2008 APPROVED BY DATE A. PATEL 9-5-2008	2:1	INCH	TITLE POWER RECEPTACLE HOUSING 3 & 4 CKT; DUAL FLANGE FOR .250 FEM. FLAT BLADE
	REV B1	DRAFT WHERE APPLICABLE MUST REMAIN WITHIN DIMENSIONS	MATERIAL NO.	MOLEX INCORPORATED DOCUMENT NO.		SHEET NO.
			424003001	SD-42400-001		2 OF 3



42400-100* SQUARE PEG OPTION



42400-200* ROUND PEG OPTION

ENG. NUMBER	MATERIAL NO.	NO. OF CKTS.	MATERIAL	COLOR	POLARIZING PEG
42400-0001	006-02-3042	4	PA (NYLON), UL94V-2	NATURAL	NO PEG
42400-0003	424000003	4	PA (NYLON), UL94V-0	WHITE	NO PEG
42400-0004	424000004	4	PA (NYLON), UL94V-0	BLACK	NO PEG
42400-1003	424001003	4	PA (NYLON), UL94V-0	WHITE	SQUARE PEG
42400-1004	424001004	4	PA (NYLON), UL94V-0	BLACK	SQUARE PEG
42400-2001	424002001	4	PA (NYLON), UL94V-2	NATURAL	ROUND PEG
42400-2003	424002003	4	PA (NYLON), UL94V-0	WHITE	ROUND PEG
42400-2004	424002004	4	PA (NYLON), UL94V-0	BLACK	ROUND PEG
42400-3001	424003001	3	PA (NYLON), UL94V-0	BLACK	NO PEG

MODIFY 3-CKT VER EC NO: UCP2009-3090 DRWN: BWIRKUS 2009/06/22 CHKD: 2009/06/22 APPR: BWIRKUS 2009/07/28	QUALITY SYMBOLS	GENERAL TOLERANCES (UNLESS SPECIFIED) mm INCH 4 PLACES ± --- ± --- 3 PLACES ± --- ± .005 2 PLACES ± 0.13 ± .010 1 PLACE ± 0.25 ± --- ANGULAR ± 1/2°	DIMENSION STYLE	SCALE	DESIGN UNITS	THIRD ANGLE PROJECTION
			IN/MM	2:1	INCH	
	REV	DESCRIPTION	DRAFT WHERE APPLICABLE MUST REMAIN WITHIN DIMENSIONS	DRAWN BY DATE B. WIRKUS 9-4-2008 CHECKED BY DATE B. WIRKUS 9-4-2008 APPROVED BY DATE A. PATEL 9-5-2008	TITLE POWER RECEPTACLE HOUSING 3 & 4 CKT; DUAL FLANGE FOR .250 FEM. FLAT BLADE	
	B1		SEE CHART	MOLEX MOLEX INCORPORATED DOCUMENT NO. SD-42400-001		SHEET NO. 3 OF 3