



Chipsmall Limited consists of a professional team with an average of over 10 year of expertise in the distribution of electronic components. Based in Hongkong, we have already established firm and mutual-benefit business relationships with customers from,Europe,America and south Asia,supplying obsolete and hard-to-find components to meet their specific needs.

With the principle of “Quality Parts,Customers Priority,Honest Operation,and Considerate Service”,our business mainly focus on the distribution of electronic components. Line cards we deal with include Microchip,ALPS,ROHM,Xilinx,Pulse,ON,Everlight and Freescale. Main products comprise IC,Modules,Potentiometer,IC Socket,Relay,Connector.Our parts cover such applications as commercial,industrial, and automotives areas.

We are looking forward to setting up business relationship with you and hope to provide you with the best service and solution. Let us make a better world for our industry!



## Contact us

Tel: +86-755-8981 8866 Fax: +86-755-8427 6832

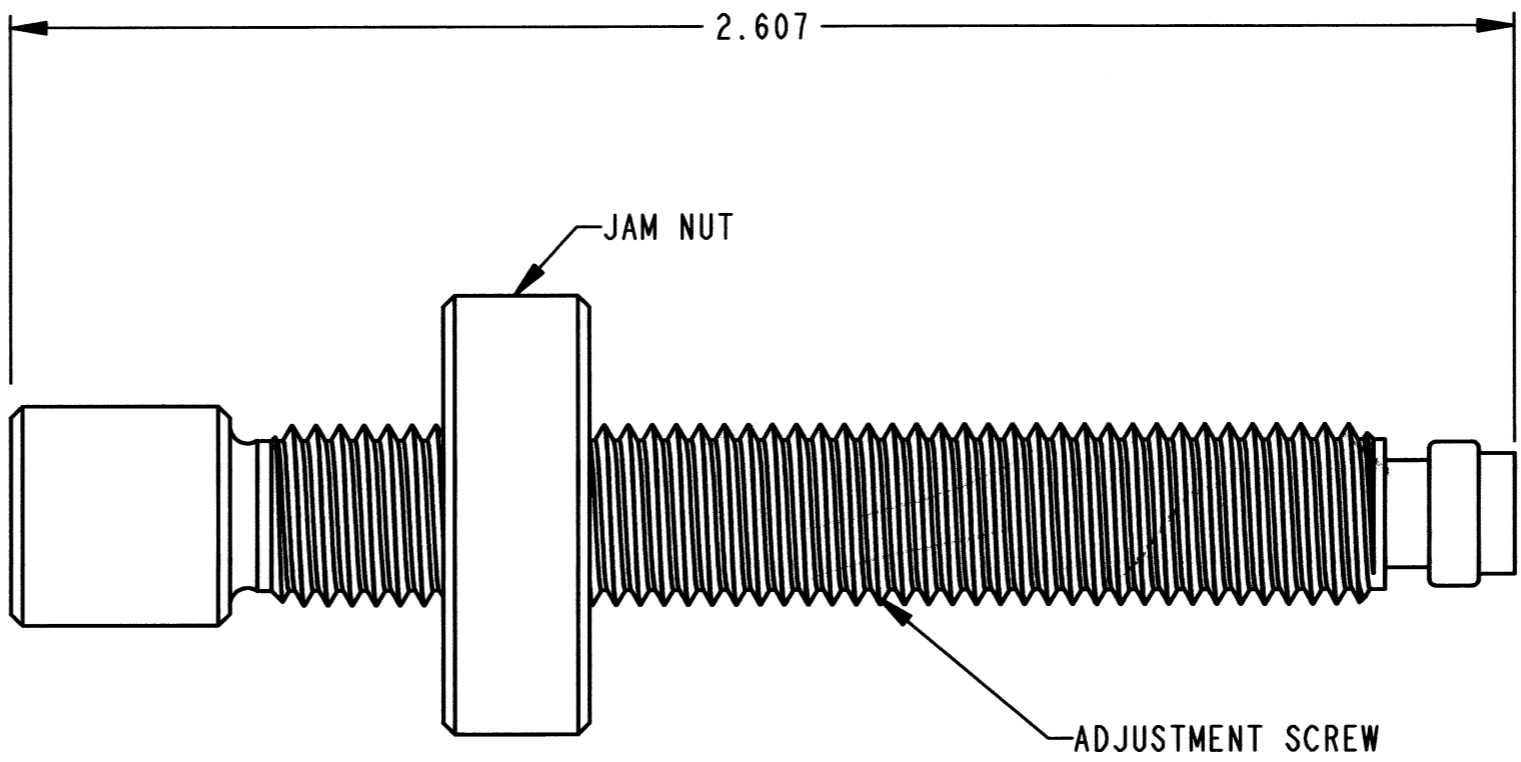
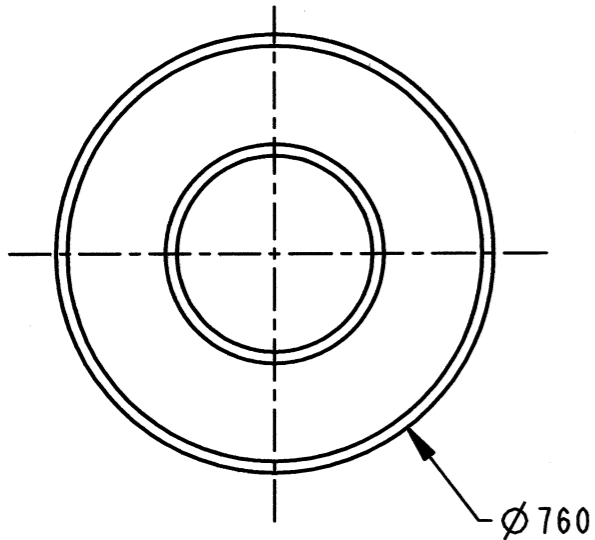
Email & Skype: info@chipsmall.com Web: www.chipsmall.com

Address: A1208, Overseas Decoration Building, #122 Zhenhua RD., Futian, Shenzhen, China



REV  
NC 0426-209-0000

REVISIONS			
SYM	DESCRIPTION	DATE	APPROVED
NC	NEW RELEASE PER E.O. P20689	3-10-11	ADR



- 4. DIMENSIONS ARE IN INCHES [MILLIMETERS]
- 3. MATERIAL: ALUMINUM
- 2. ALL DIMENSIONS HAVE A TOLERANCE OF  $\pm .025$  [.64].
- 1. THIS PART IS USED ON HDT-48-00.

NOTES: UNLESS OTHERWISE SPECIFIED.

SIGNATURE & DATE		ADJUSTMENT SCREW ASSEMBLY HDT-48-00 CRIMP TOOL	EP	MATL. CODE
DR	R. MCCORD 11/02/10		3850 INDUSTRIAL AVE. HEMET, CA 92545	
CHK	<i>B. Byford</i> 3/09/2011		<b>DEUTSCH</b> INDUSTRIAL	
PE	<i>B. Byford</i> 3/09/2011		3850 INDUSTRIAL AVE. HEMET, CA 92545	
APPD	<i>S. Beard</i> 2/29/11	ENVELOPE	<b>B</b>	0426-209-0000
SCALE	NONE	WT	DWG SIZE	CODE 11139 SHEET   OF