



Chipsmall Limited consists of a professional team with an average of over 10 year of expertise in the distribution of electronic components. Based in Hongkong, we have already established firm and mutual-benefit business relationships with customers from,Europe,America and south Asia,supplying obsolete and hard-to-find components to meet their specific needs.

With the principle of "Quality Parts,Customers Priority,Honest Operation,and Considerate Service",our business mainly focus on the distribution of electronic components. Line cards we deal with include Microchip,ALPS,ROHM,Xilinx,Pulse,ON,Everlight and Freescale. Main products comprise IC,Modules,Potentiometer,IC Socket,Relay,Connector.Our parts cover such applications as commercial,industrial, and automotives areas.

We are looking forward to setting up business relationship with you and hope to provide you with the best service and solution. Let us make a better world for our industry!



Contact us

Tel: +86-755-8981 8866 Fax: +86-755-8427 6832

Email & Skype: info@chipsmall.com Web: www.chipsmall.com

Address: A1208, Overseas Decoration Building, #122 Zhenhua RD., Futian, Shenzhen, China



NOTES:
 1. MATERIAL: COPPER ALLOY 151, 0.50mm THICK.
 2. PLATING:
 SELECT GOLD: 0.00076 MN. SELECT. GOLD IN CONTACT AREA,
 0.00254 MN. SELECT *TIN IN CRIMP AREA, OVER 0.00127 NICKEL.

OVERALL *TIN: 0.00254 MN. BRIGHT *TIN OVER 0.00127 MN. NICKEL

* THE PRIMARY SHIPPING CARTON WILL BE LABELED 'COMPLIANT TO RoHS
 DIRECTIVE 2002/95/EC AND ELV ANNEX II OF DIRECTIVE 2000/53/EC'.
 CARTONS WITHOUT THIS LABEL MAY CONTAIN PRODUCT WITH TIN-LEAD.

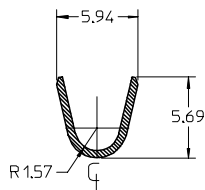
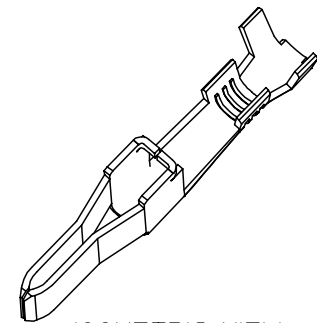
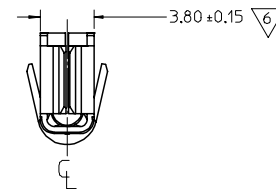
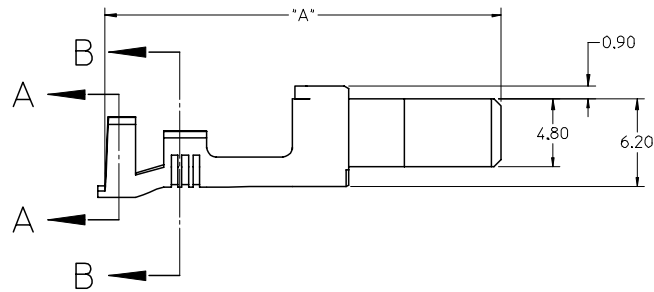
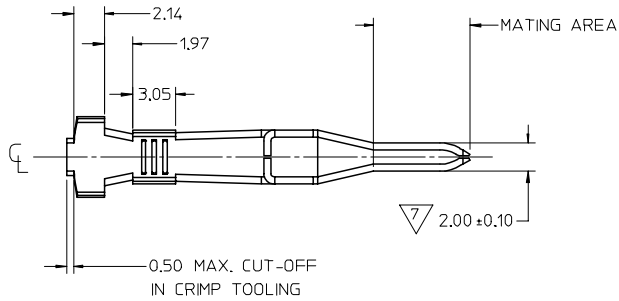
3. PRODUCT SPECIFICATION: PS-42815-001.
 4. PART IS DESIGN IN METRIC.
 5. TERMINALS FOR USE WITH STRANDED WIRE ONLY,
 STRANDED TINNED WIRE IS RECOMMENDED.

▽ AFTER CRIMPING, THIS DIMENSION = 3.55mm MIN.

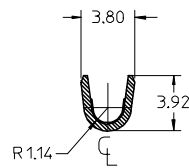
▽ AFTER CRIMPING, THIS DIMENSION = 2.25mm MAX.

8. CRIMP SPECIFICATION: 638301000.

▽ WHEN USING TIN-PLATED TERMINALS FOR APPLICATIONS
 INVOLVING VIBRATION AND/OR THERMAL CYCLING,
 MOLEX STRONGLY RECOMMENDS THE USE OF NYE LUBRICANT,
 NYOGEL 760G, ON THE MATING AREA OF THE TERMINAL.
 LUBRICANT SHOULD BE APPLIED AFTER THE TERMINALS ARE
 INSERTED INTO THE HOUSING.



SECTION A-A
INSULATION CRIMP



SECTION B-B
CONDUCTOR CRIMP

MATERIAL NO.	CONFIGURATION	DIM. "A"	PLATING
42817-0041	STANDARD	27.60	TIN ▽
42817-0141	MAKE-FIRST/BREAK-LAST	29.60	TIN ▽
42817-0042	STANDARD	27.60	SELECT GOLD
42817-0142	MAKE-FIRST/BREAK-LAST	29.60	SELECT GOLD

LEAD-FREE	QUALITY SYMBOLS	GENERAL TOLERANCES (UNLESS SPECIFIED)		SCALE	DESIGN UNITS	THIRD ANGLE PROJECTION	REVISE ON CAD ONLY
		mm	INCH	4:1	METRIC		
UCP2004-2391 MCARRANZ004/06/07 JCOMERC I 2004/06/07 JCOMERC I 2004/06/10	▽ - 0 ▽ - 0	4 PLACES	± ---	± ---	DIMENSION STYLE MM ONLY	TITLE MINIFIT SR. MALE CRIMP TERMINAL, 14-16 AWG GOLD PLATED	MATERIAL NO. SEE CHART
		3 PLACES	± ---	± .010			
		2 PLACES	± 0.25	± .016			
		1 PLACE	± 0.40	± ---			
		ANGULAR ±1/2°					
DRAFT WHERE APPLICABLE MUST REMAIN WITHIN DIMENSIONS				DATE	DATE	DOCUMENT NO.	SHEET NO.
B1				2002/05/15	2002/05/15	SD-42817-020	1 OF 1

THIS DRAWING CONTAINS INFORMATION THAT IS PROPRIETARY TO MOLEX INCORPORATED AND SHOULD NOT BE USED WITHOUT WRITTEN PERMISSION