



Chipsmall Limited consists of a professional team with an average of over 10 year of expertise in the distribution of electronic components. Based in Hongkong, we have already established firm and mutual-benefit business relationships with customers from,Europe,America and south Asia,supplying obsolete and hard-to-find components to meet their specific needs.

With the principle of “Quality Parts,Customers Priority,Honest Operation,and Considerate Service”,our business mainly focus on the distribution of electronic components. Line cards we deal with include Microchip,ALPS,ROHM,Xilinx,Pulse,ON,Everlight and Freescale. Main products comprise IC,Modules,Potentiometer,IC Socket,Relay,Connector.Our parts cover such applications as commercial,industrial, and automotives areas.

We are looking forward to setting up business relationship with you and hope to provide you with the best service and solution. Let us make a better world for our industry!



## Contact us

Tel: +86-755-8981 8866 Fax: +86-755-8427 6832

Email & Skype: info@chipsmall.com Web: www.chipsmall.com

Address: A1208, Overseas Decoration Building, #122 Zhenhua RD., Futian, Shenzhen, China

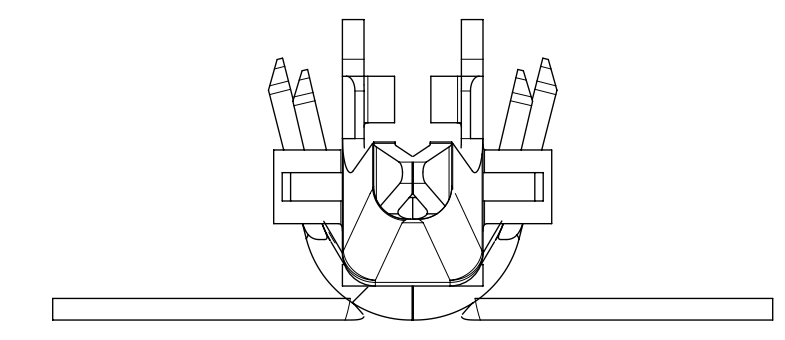
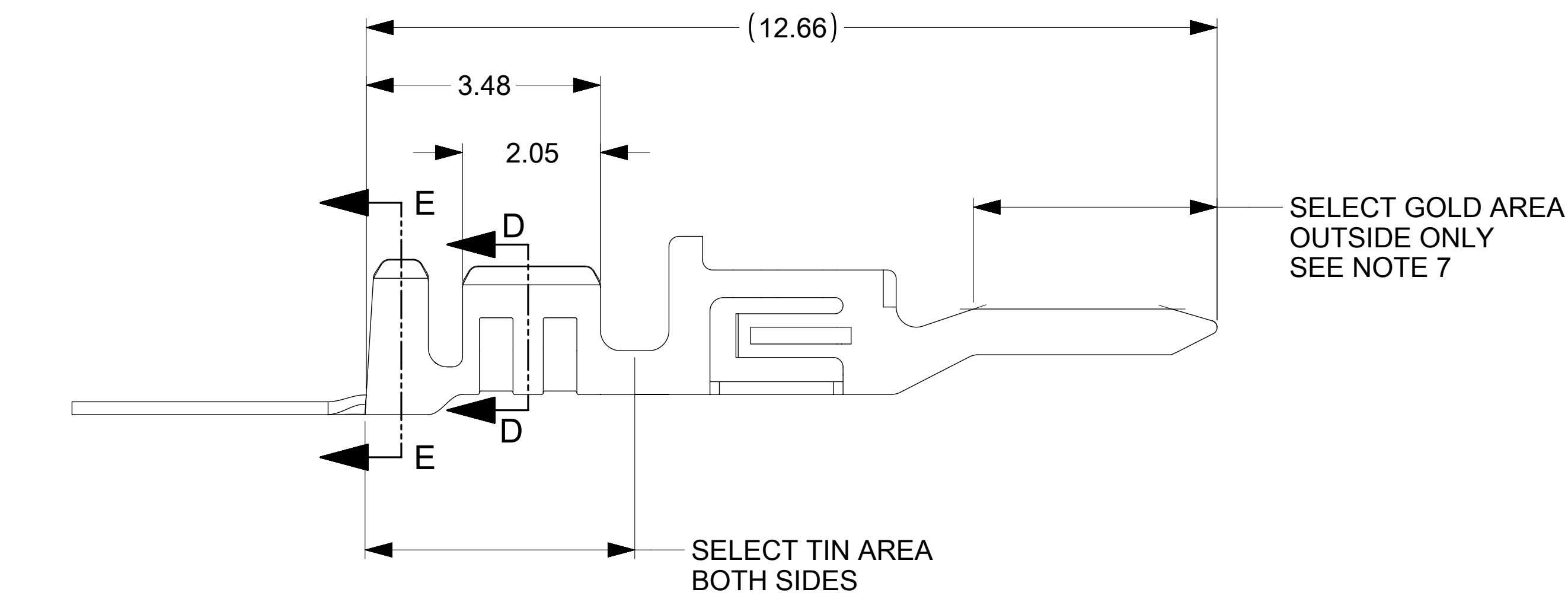
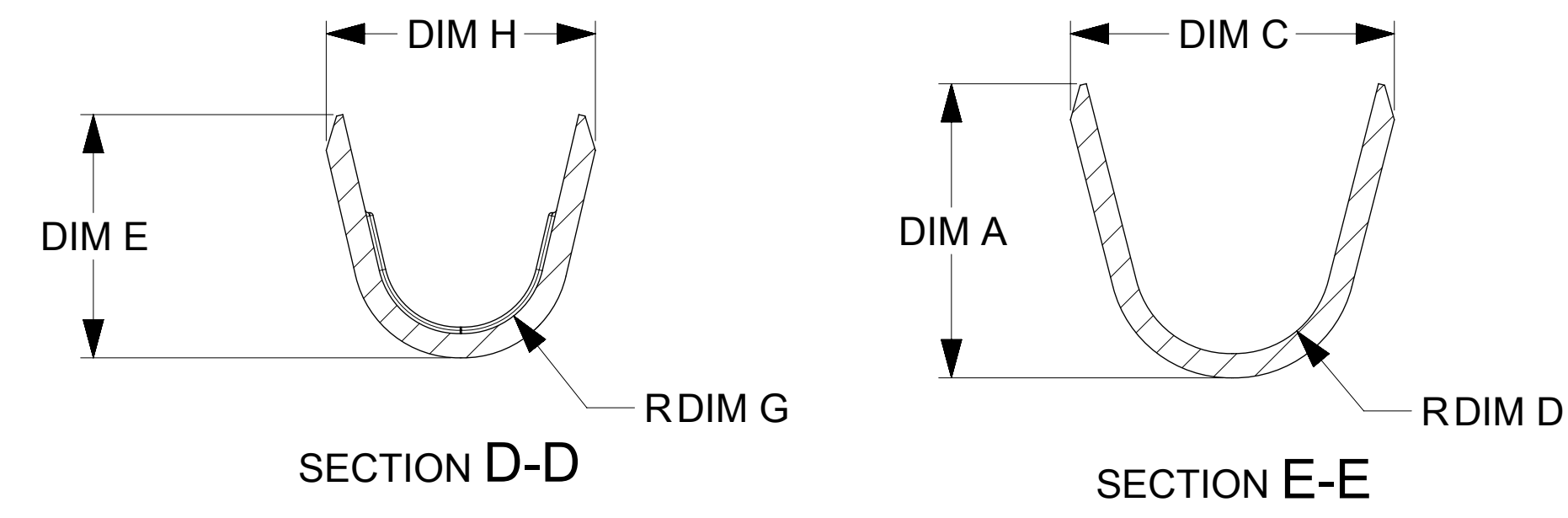
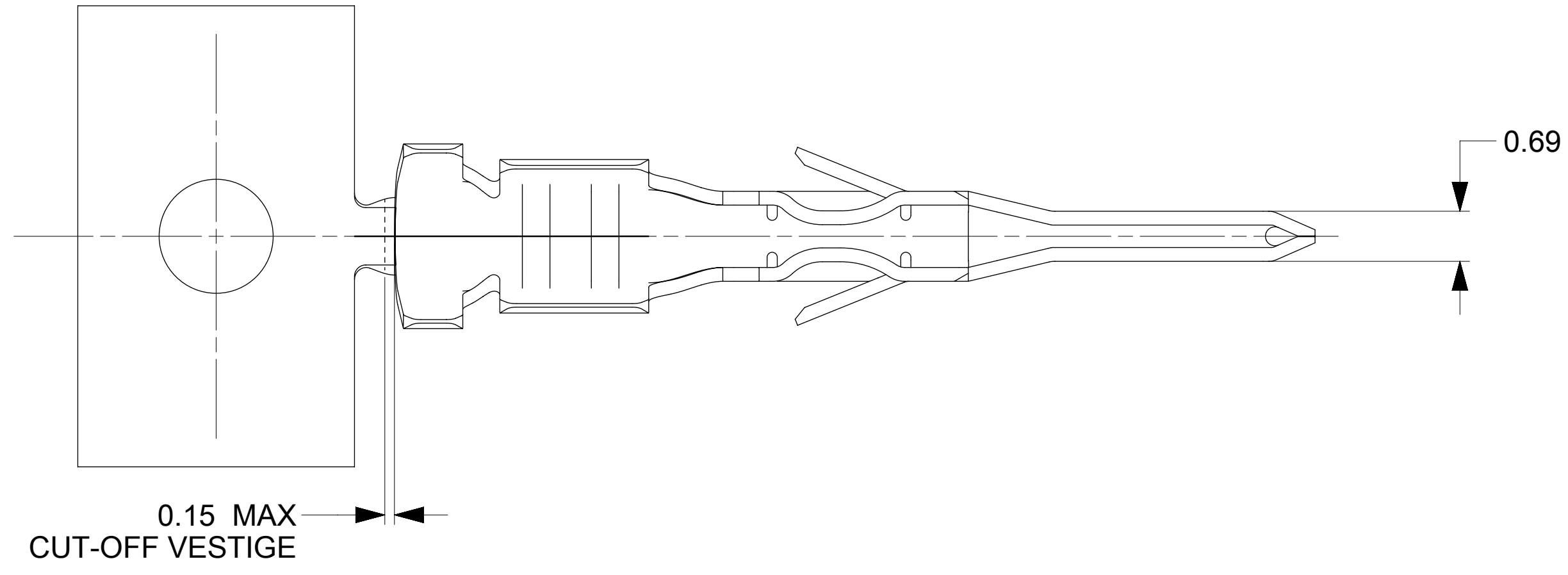


PART NUMBER	PLATING OPTION	WIRE SIZE	ASSEMBLY OPTION	DIM A	DIM C	DIM D	DIM E	DIM G	DIM H
430315003	A	20-24	CHAIN	2.31	2.51	0.76	1.91	0.64	2.08
430315004	B	20-24	CHAIN	2.31	2.51	0.76	1.91	0.64	2.08
430315005	C	20-24	CHAIN	2.31	2.51	0.76	1.91	0.64	2.08
430315006	D	20-24	CHAIN	2.31	2.51	0.76	1.91	0.64	2.08
430315007	A	26-30	CHAIN	1.91	2.1	0.64	1.47	0.51	1.65
430315008	B	26-30	CHAIN	1.91	2.1	0.64	1.47	0.51	1.65
430315009	C	26-30	CHAIN	1.91	2.1	0.64	1.47	0.51	1.65
430315010	D	26-30	CHAIN	1.91	2.1	0.64	1.47	0.51	1.65
430315013	A	20-24	LOOSE	2.31	2.51	0.76	1.91	0.64	2.08
430315014	B	20-24	LOOSE	2.31	2.51	0.76	1.91	0.64	2.08
430315015	C	20-24	LOOSE	2.31	2.51	0.76	1.91	0.64	2.08
430315016	D	20-24	LOOSE	2.31	2.51	0.76	1.91	0.64	2.08
430315017	A	26-30	LOOSE	1.91	2.1	0.64	1.47	0.51	1.65
430315018	B	26-30	LOOSE	1.91	2.1	0.64	1.47	0.51	1.65
430315019	C	26-30	LOOSE	1.91	2.1	0.64	1.47	0.51	1.65
430315020	D	26-30	LOOSE	1.91	2.1	0.64	1.47	0.51	1.65

**NOTES:**

- MATERIAL: PHOSPHER BRONZE ALLOY
- FINISH:
  - "A" - PREPLATED TIN 1µm - 2.5µm
  - "B" - 0.38µm MIN SELECTIVE GOLD OVER 2.5µm MIN SELECTIVE TIN OVER 1.27µm OVERALL NICKEL
  - "C" - 0.76µm MIN SELECTIVE GOLD OVER 2.5µm MIN SELECTIVE TIN OVER 1.27µm OVERALL NICKEL
  - "D" - 2.5µm MIN MATTE TIN OVER 1.27µm OVERALL NICKEL
- PRODUCT SPECIFICATION: PS-43045, PS-43650, PS-44300-001
- PACKAGING SPECIFICATION: FOR REELED SEE PK-43031-001; FOR LOOSE SEE PK-43030-003
- TERMINAL FOR USE IN PLUG HOUSING SERIES 200875.
- FOR TERMINAL ORIENTATION IN HOUSING SEE DRAWING 2008750000-SD.
- SOME GOLD MAY BE PRESENT ON INSIDE SURFACE.

AWG	MAX INSULATION OD
20-24	1.85
26-30	1.27



<b>QUALITY SYMBOLS</b> 	THIS DRAWING CONTAINS INFORMATION THAT IS PROPRIETARY TO MOLEX ELECTRONIC TECHNOLOGIES, LLC AND SHOULD NOT BE USED WITHOUT WRITTEN PERMISSION		<b>GENERAL TOLERANCES (UNLESS SPECIFIED)</b> DIMENSION UNITS: MM SCALE: 15:1 ANGULAR TOL ± °		  <b>MICRO-FIT TPA MALE CRIMP TERMINAL</b>  PRODUCT CUSTOMER DRAWING
	DRWN BY: TGREGORI DATE: 2017/01/27	CHKD BY: RHODGE DATE: 2017/02/24	DRWN BY: TGREGORI DATE: 2017/01/06	CHKD BY: TGREGORI DATE: 2017/01/27	
	APPR BY: RHODGE DATE: 2017/02/24	DRAWING SIZE: D THIRD ANGLE PROJECTION	SERIES: 43031 MATERIAL NUMBER: SEE TABLE CUSTOMER: GENERAL MARKET	DOCUMENT NUMBER: 430310000-SD DOC TYPE: PSD DOC PART: 000 SHEET NUMBER: 1 OF 1	
	EC NO: 112887 DRWN: TGREGORI CHKD: RHODGE REV: APPR:	DIMENSIONS: 4 PLACES ±, 3 PLACES ±, 2 PLACES ± 0.25, 1 PLACE ± 0.35, 0 PLACES ± DRAFT WHERE APPLICABLE MUST REMAIN WITHIN DIMENSIONS			