



Chipsmall Limited consists of a professional team with an average of over 10 year of expertise in the distribution of electronic components. Based in Hongkong, we have already established firm and mutual-benefit business relationships with customers from,Europe,America and south Asia,supplying obsolete and hard-to-find components to meet their specific needs.

With the principle of “Quality Parts,Customers Priority,Honest Operation,and Considerate Service”,our business mainly focus on the distribution of electronic components. Line cards we deal with include Microchip,ALPS,ROHM,Xilinx,Pulse,ON,Everlight and Freescale. Main products comprise IC,Modules,Potentiometer,IC Socket,Relay,Connector.Our parts cover such applications as commercial,industrial, and automotives areas.

We are looking forward to setting up business relationship with you and hope to provide you with the best service and solution. Let us make a better world for our industry!



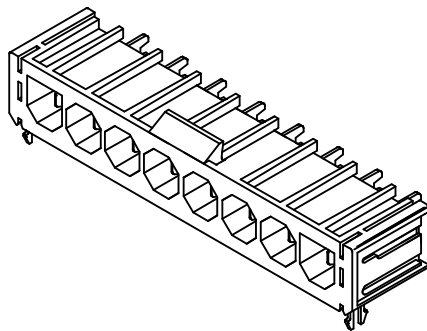
Contact us

Tel: +86-755-8981 8866 Fax: +86-755-8427 6832

Email & Skype: info@chipsmall.com Web: www.chipsmall.com

Address: A1208, Overseas Decoration Building, #122 Zhenhua RD., Futian, Shenzhen, China

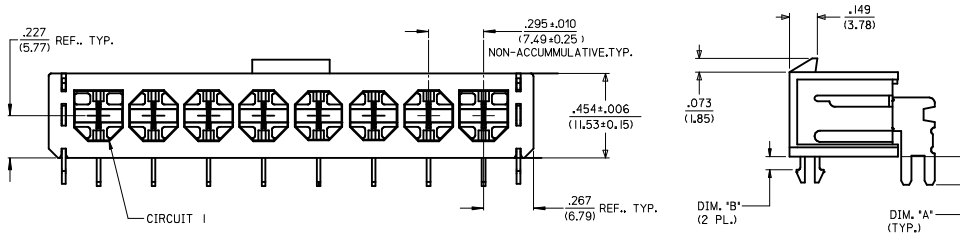
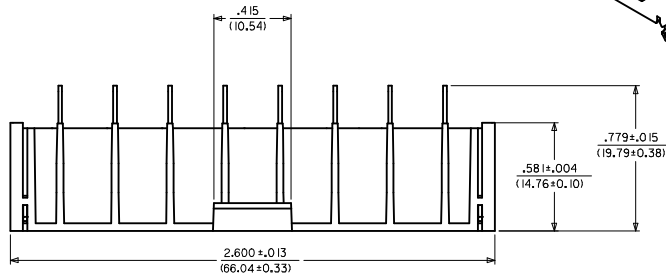




BOARD LOCK	DIM. "B" ±.004/(0.10)
.062	.070/(1.78)
.094	.102/(2.59)
.125	.133/(3.38)

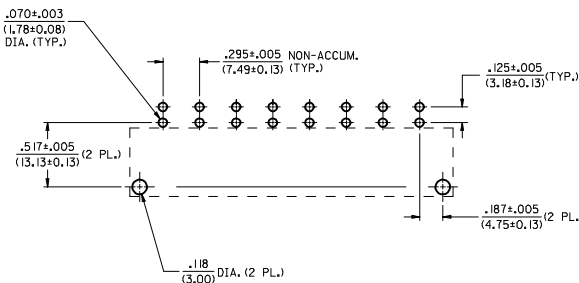
SOLDER TAIL	DIM. "A" ±.011/(0.28)
SHORT	.150/(3.81)
LONG	.210/(5.33)

RT. ANGLE HEADER ASSEMBLY ITEM NO.	PART CHARACTERISTICS FOR RIGHT ANGLE HEADER				PACKAGING SPECIFICATIONS
	CIRCUIT SIZE	HSG. MAT'L (SEE NOTE 1)	SOLDER TAIL	BOARD LOCK	
43160-1108	8	A	SHORT	N/A	PK-43160-0010
43160-1308	8	A	LONG	N/A	PK-43789-001
43160-3108	8	A	SHORT	.062	PK-43789-001
43160-5108	8	A	SHORT	.094	PK-43789-001
43160-5308	8	A	LONG	.094	PK-43789-001
43160-7308	8	A	LONG	.125	PK-43789-001



RECOMMENDED P.C. BOARD LAYOUT FOR RIGHT ANGLE HEADERS

SCALE 2:1



8 CIRCUIT LAYOUT SHOWN

NOTES:

- INSULATOR MATERIAL (SEE CHART)
A = 30% GLASS FILLED 46 NYLON. 94V-0. COLOR: BLACK.
- TERMINAL MATERIAL: BRASS
- TERMINAL FINISH: 60 MICROINCH (1.50 MICROMETER) MINIMUM TIN OVER 50 MICROINCH (1.25 MICROMETER) MINIMUM NICKEL.
- PRODUCT SPECIFICATION: PSX-4441-9999.
- PACKAGING: SEE CHART.
- THESE HEADERS MATE WITH 43179, 43335, OR 44441 RECEPTACLE HOUSINGS.
- SEE SHEETS 1, 2 AND 3, FOR VERTICAL HEADER ASSEMBLIES AND THEIR RESPECTIVE PART NUMBERS.
- SEE SHEETS 4, 5 AND 6, FOR RIGHT ANGLE HEADER ASSEMBLIES AND THEIR RESPECTIVE PART NUMBERS.
- DIMENSIONS ARE FOR REFERENCE ONLY, UNLESS INDICATED OTHERWISE.

REPLACE CU UNDERPLATE EIC NO. UICP2012-3878 DRAWN:ELHAG CHKD:JRELL APPR:FSMTH 2012/05/25 2012/05/25 2012/08/28	QUALITY SYMBOLS ▽=0 ▽=0	GENERAL TOLERANCES (UNLESS SPECIFIED)		DIMENSION STYLE IN/MM		SCALE 3:1	DESIGN UNITS INCH	THIRD ANGLE PROJECTION
		4 PLACES ± --- ± --- 3 PLACES ± --- ± .005 2 PLACES ± 0.13 ± .01 1 PLACE ± 0.25 ± --- ANGULAR ±1/2°	DRAWN BY EL	DATE 11/03/197	TITLE SABRE HEADER ASSEMBLIES RIGHT ANGLE 2-6 & 8 CIR. .125/(3.18)X.020/(0.51)		MOLEX INCORPORATED	
DRAFT WHERE APPLICABLE MUST REMAIN WITHIN DIMENSIONS		MATERIAL NO. SEE CHART		DOCUMENT NO. SDA-43160-****		THIS DRAWING CONTAINS INFORMATION THAT IS PROPRIETARY TO MOLEX INCORPORATED AND SHOULD NOT BE USED WITHOUT WRITTEN PERMISSION		