



Chipsmall Limited consists of a professional team with an average of over 10 year of expertise in the distribution of electronic components. Based in Hongkong, we have already established firm and mutual-benefit business relationships with customers from,Europe,America and south Asia,supplying obsolete and hard-to-find components to meet their specific needs.

With the principle of “Quality Parts,Customers Priority,Honest Operation,and Considerate Service”,our business mainly focus on the distribution of electronic components. Line cards we deal with include Microchip,ALPS,ROHM,Xilinx,Pulse,ON,Everlight and Freescale. Main products comprise IC,Modules,Potentiometer,IC Socket,Relay,Connector.Our parts cover such applications as commercial,industrial, and automotives areas.

We are looking forward to setting up business relationship with you and hope to provide you with the best service and solution. Let us make a better world for our industry!



## Contact us

Tel: +86-755-8981 8866 Fax: +86-755-8427 6832

Email & Skype: info@chipsmall.com Web: www.chipsmall.com

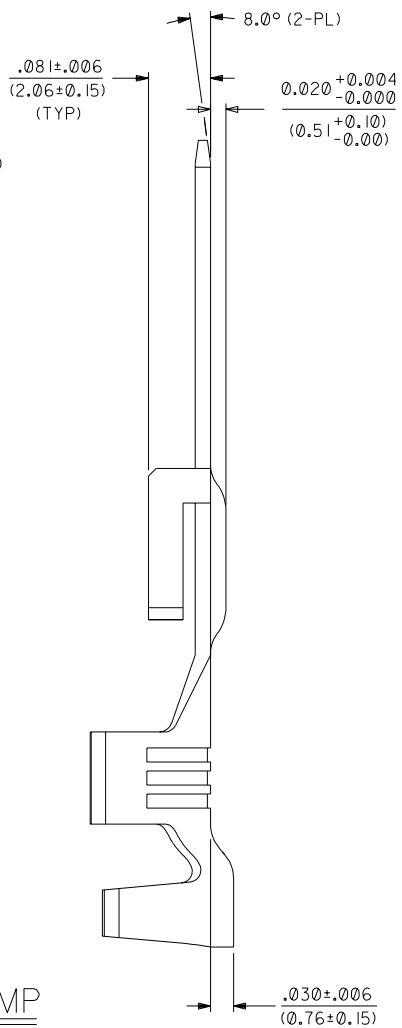
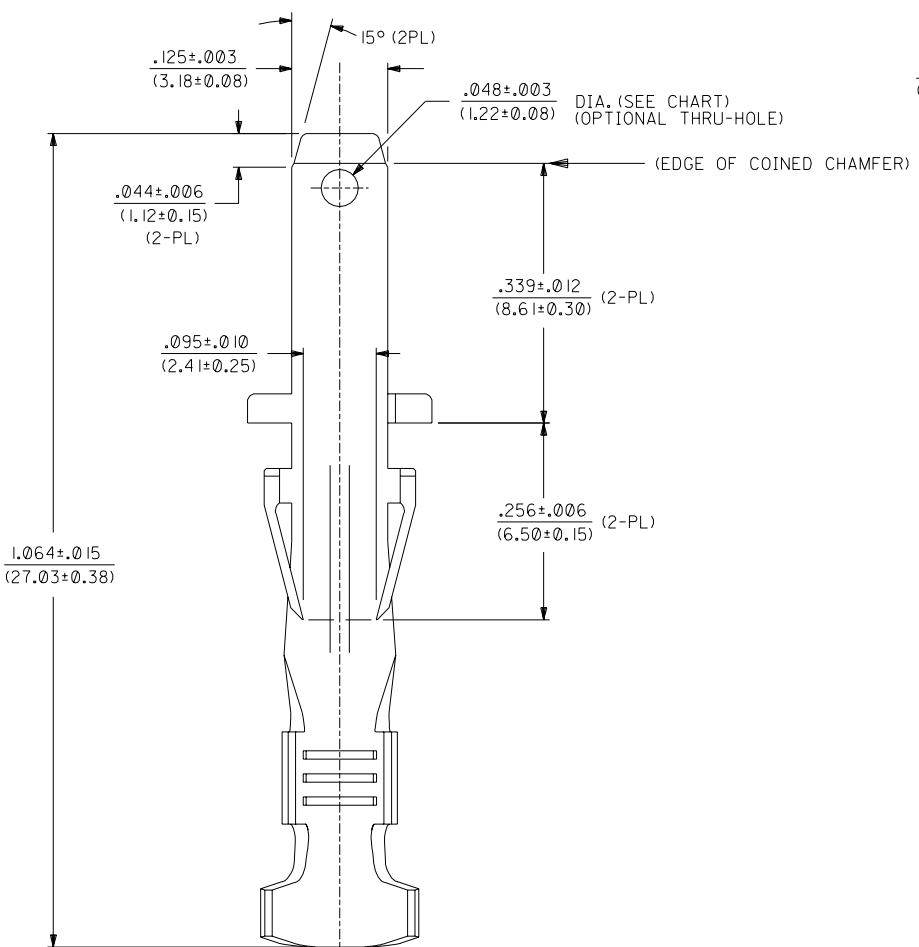
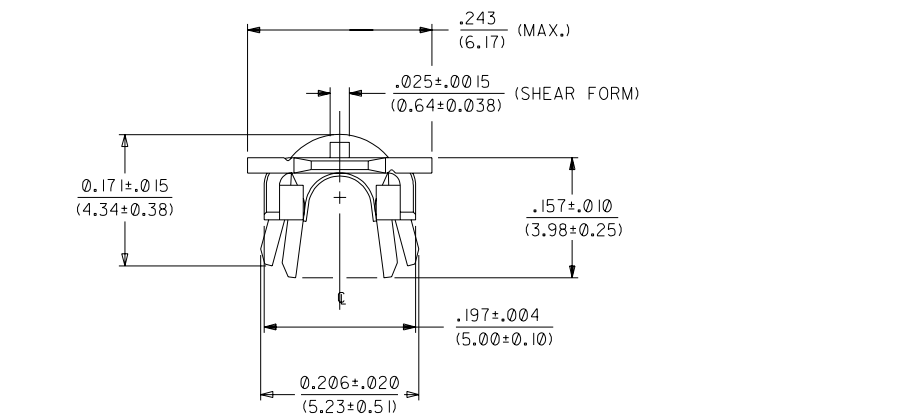
Address: A1208, Overseas Decoration Building, #122 Zhenhua RD., Futian, Shenzhen, China



MATERIAL NUMBER	FINISH	HOLE
43178-1001	999	NOT USED
43178-1002	H901	NOT USED
43178-1003	F542	NOT USED

### NOTES

- MATERIAL: BRASS
- FINISH:  
999 - UNPLATED  
H901 - 20 MICROINCH MIN. HOT TIN DIP  
F542 - 15 MICROINCH MIN. SELECT GOLD IN CONTACT AREA,  
50 MICROINCH TIN-LEAD IN CRIMP AREA,  
NICKEL UNDERPLATE OVERALL.
- PRODUCT SPECIFICATION : PSX-44441-9999.
- TERMINAL FOR USE WITH A SINGLE #18 AWG  
UL TYPE 1015 WIRE, HAVING A MAXIMUM INSULATION  
DIAMETER OF .130/(.330).



### SMALL INSULATION CRIMP

D1	REVISED EC*UCR2002-1132 6/27/02 BW
D	UPDATE NOTES UCR 2002-0428 BW 11/1/01
C1	REVISED PER UCR1999-0893 PELOZA 99/06/29
C	REVISED PER UCR1999-0605 PELOZA 99/03/16
B	REVISED PER UCR1999-0340 98/12/07 LENZ
A3	REVISED PER ECN* U10921 MARANTO 97/02/07
A2	REVISED PER ECN* U10225 MARANTO 96/08/28
A1	REVISED PER ECN* U60034 95/07/24 MAB
A	REMOVE 'X' PER ECN* U51254 95/06/19 KBP
3	REVISED PER ECN* U50640 95/01/03
2	REVISED PER ECN* U50270 94/09/21 MAB
1	'X' RELEASE PER ECN* U31563 94/10/24 KBP

DIMENSIONS SHOWN (METRIC) INCH UNLESS OTHERWISE SPECIFIED TOLERANCES: ANGULAR ± 1/2°		▽ = 0		◻ = 0		REVISE ONLY ON CAD SYSTEM	
TITLE TERMINAL, CRIMP, MALE TAB .125/(.318) X .020/(.51) SABRE - F.B.S. - T.P.A.		PART NO. MOLEX INCORPORATED L1SLE,ILL. 60532		SHEET NO. 1 OF 1		DATE U.S.A. 194/10/24	
DRAWING BY KBP		CHECKED BY KBP		SCALE 8: 1		SEE CHART SD-43178-1***	
APPROVED BY RAS		FILE NAME ET43178X5 DGN		THIS DRAWING CONTAINS INFORMATION THAT IS PROPRIETARY TO MOLEX INC. AND SHOULD NOT BE USED WITHOUT WRITTEN PERMISSION		DIV. SIZE CO C	