



Chipsmall Limited consists of a professional team with an average of over 10 year of expertise in the distribution of electronic components. Based in Hongkong, we have already established firm and mutual-benefit business relationships with customers from,Europe,America and south Asia,supplying obsolete and hard-to-find components to meet their specific needs.

With the principle of “Quality Parts,Customers Priority,Honest Operation,and Considerate Service”,our business mainly focus on the distribution of electronic components. Line cards we deal with include Microchip,ALPS,ROHM,Xilinx,Pulse,ON,Everlight and Freescale. Main products comprise IC,Modules,Potentiometer,IC Socket,Relay,Connector.Our parts cover such applications as commercial,industrial, and automotives areas.

We are looking forward to setting up business relationship with you and hope to provide you with the best service and solution. Let us make a better world for our industry!



Contact us

Tel: +86-755-8981 8866 Fax: +86-755-8427 6832

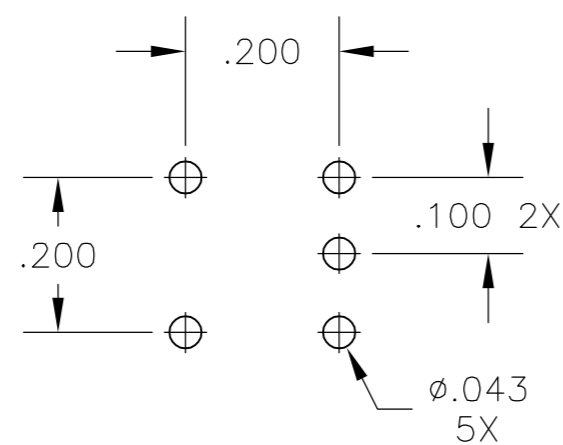
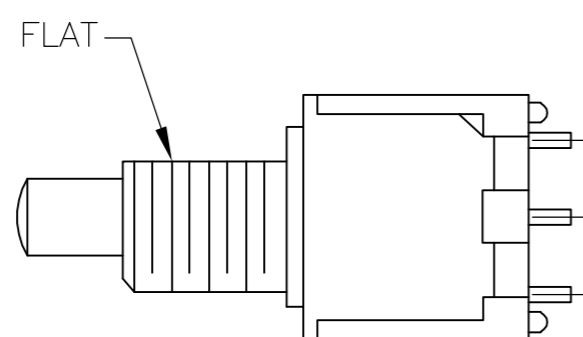
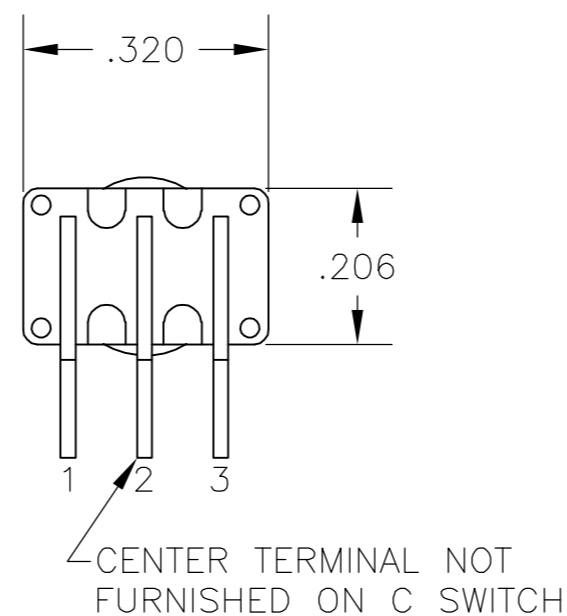
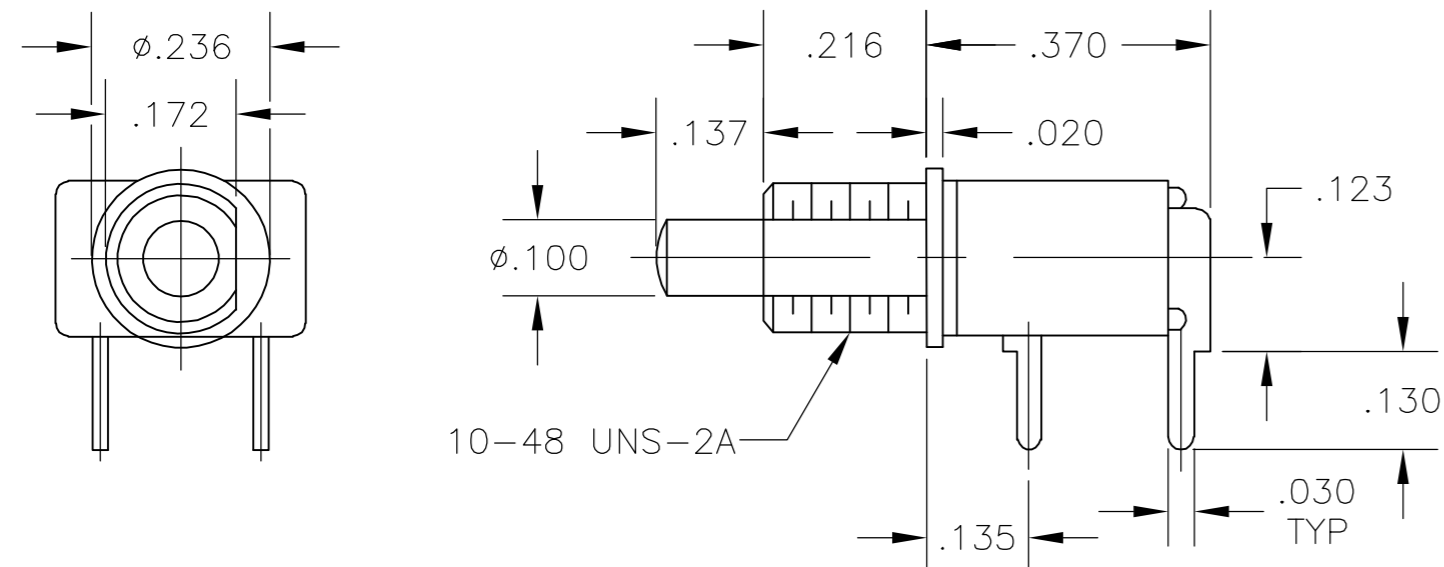
Email & Skype: info@chipsmall.com Web: www.chipsmall.com

Address: A1208, Overseas Decoration Building, #122 Zhenhua RD., Futian, Shenzhen, China



THIS DRAWING IS UNPUBLISHED. RELEASED FOR PUBLICATION
 © COPYRIGHT BY TYCO ELECTRONICS CORPORATION. ALL RIGHTS RESERVED.

LOC	DIST	REVISIONS					
		P	LTR	DESCRIPTION	DATE	DWN	APVD
AD	OO	B		ECO 06 000585	07AUG06	BSV	MZ



RECOMMENDED HOLE LAYOUT
 TOLERANCE ±.002 UNLESS
 OTHERWISE NOTED

(*)	BUTTON COLOR
0	BLACK
2	RED
6	BLUE

SPECIFICATIONS:

MATERIALS:

CASE: HIGH TEMPERATURE POLYESTER, UL 94V-0
 ACTUATOR BUTTON: THERMOPLASTIC, COLORS: SEE CHART BELOW
 MOVING CONTACT: COPPER ALLOY, GOLD PLATED
 FIXED CONTACT: COPPER ALLOY, GOLD PLATED
 TERMINALS: COPPER ALLOY, TIN LEAD PLATED
 TERMINAL SEAL: SP EPOXY
 DP EPOXY OPTIONAL

ELECTRICAL:

CONTACT RATING: GOLD=0.4VA MAX. @20VDC OR PEAK AC
 INITIAL CONTACT RESISTANCE: 20 MILLIOHMS MAX.
 INSULATION RESISTANCE: 1,000 MEGOHMS @500VDC MIN
 DIELECTRIC STRENGTH: 1,000VAC @SEA LEVEL
 LIFE EXPECTANCY: GOLD: 1 POLE = 100,000 CYCLES
 2 POLES = 80,000 CYCLES

MECHANICAL:

ACTUATION FORCE: 50 TO 400g
 ACTUATION TRAVEL: .030 APPROX.

ENVIRONMENTAL:

OPERATING TEMPERATURE: -22°F TO +149°F (-30°C TO +65°C)
 STORAGE TEMPERATURE: -22°F TO +149°F (-30°C TO +65°C)

NOTES:

- INTERPRET DRAWING PER ASME Y14.5M-1994
- SUPPLIED WITH MOUNTING HARDWARE.
- SPECIFICATIONS ARE SUBJECT TO CHANGES WITHOUT NOTICE.

TERMINALS CONNECTED WITH BUTTON IN POSITIONS SHOWN		
MODEL NO.	FLAT	FLAT
TPC11CG-RA (*)	OFF	1-3 (MOM)
TPC11FG-RA (*)	2-1	2-3 (MOM)

NOTE:
 TERMINAL DESIGNATION NUMBERS ARE FOR
 REFERENCE ONLY AND DO NOT APPEAR ON
 SWITCHES.

AUGAT D/N 40046

THIS DRAWING IS A CONTROLLED DOCUMENT.		DWN R.WINGROVE 10NOV80	Tyco Electronics Corporation Harrisburg, Pa 17105-3608	
DIMENSIONS: INCHES		CHK B.BUCKHEIT 11NOV80		
TOLERANCES UNLESS OTHERWISE SPECIFIED:		APVD RD 11NOV80	NAME PUSH BUTTON SWITCH TPC11*G-RA(*)	
0 PLC ± - 1 PLC ± - 2 PLC ± - 3 PLC ± .010 4 PLC ± - ANGLES ± 1°		PRODUCT SPEC -	SIZE A2	
MATERIAL SEE SPECIFICATIONS		FINISH SEE SPECIFICATIONS	CAGE CODE 00779	DRAWING NO 1437572-7
		WEIGHT -	RESTRICTED TO -	SCALE 4:1
		CUSTOMER DRAWING	SHEET 1	OF 1
			REV B	

1437572-7