



Chipsmall Limited consists of a professional team with an average of over 10 year of expertise in the distribution of electronic components. Based in Hongkong, we have already established firm and mutual-benefit business relationships with customers from,Europe,America and south Asia,supplying obsolete and hard-to-find components to meet their specific needs.

With the principle of "Quality Parts,Customers Priority,Honest Operation,and Considerate Service",our business mainly focus on the distribution of electronic components. Line cards we deal with include Microchip,ALPS,ROHM,Xilinx,Pulse,ON,Everlight and Freescale. Main products comprise IC,Modules,Potentiometer,IC Socket,Relay,Connector.Our parts cover such applications as commercial,industrial, and automotives areas.

We are looking forward to setting up business relationship with you and hope to provide you with the best service and solution. Let us make a better world for our industry!



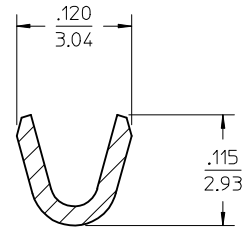
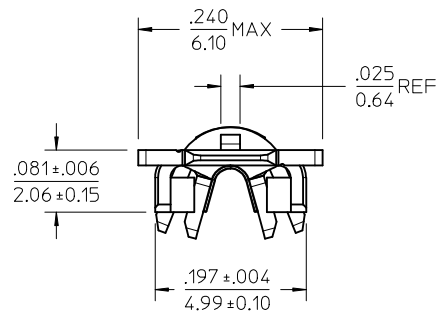
Contact us

Tel: +86-755-8981 8866 Fax: +86-755-8427 6832

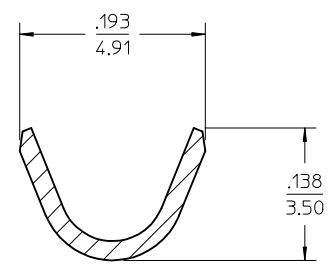
Email & Skype: info@chipsmall.com Web: www.chipsmall.com

Address: A1208, Overseas Decoration Building, #122 Zhenhua RD., Futian, Shenzhen, China



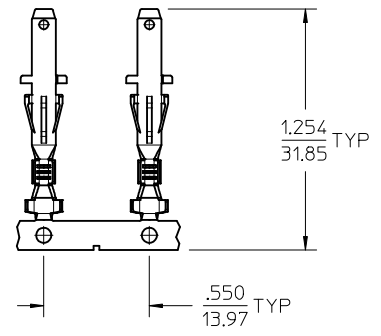


SECTION W-W
SCALE 10:1
CONDUCTOR CRIMP

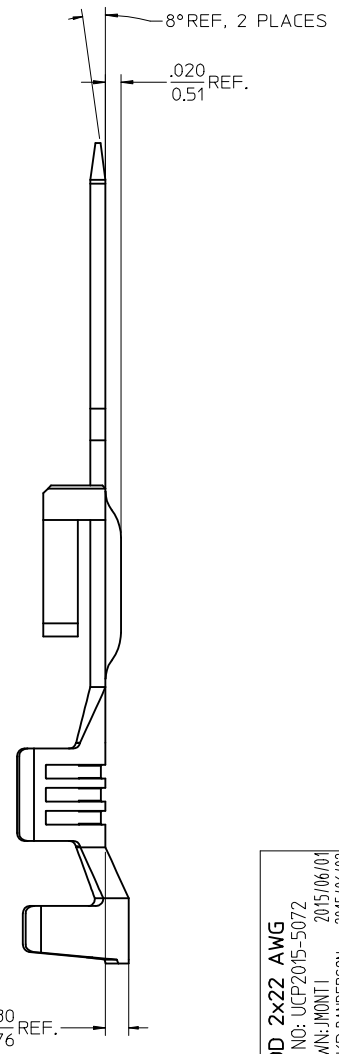
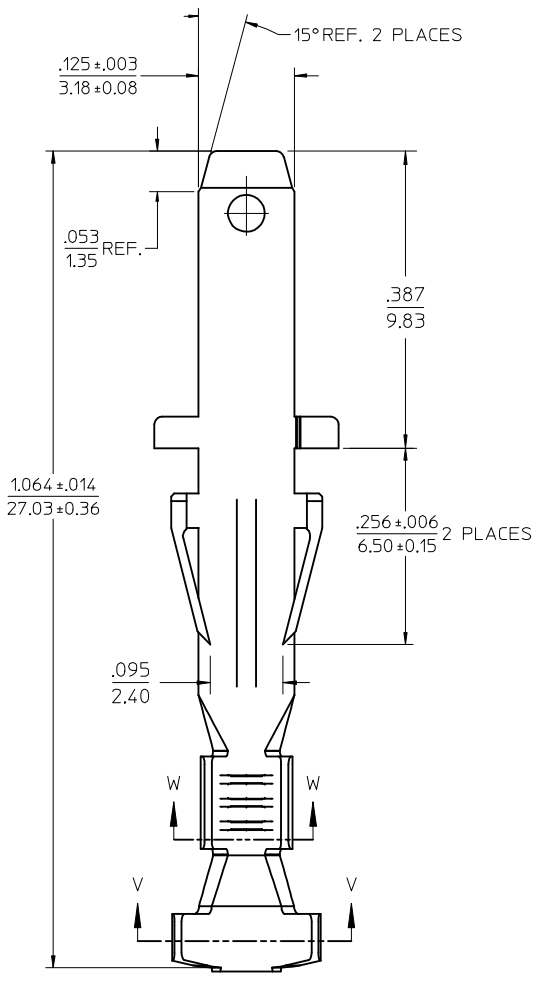


SECTION V-V
SCALE 10:1
INSULATION CRIMP

MATERIAL NUMBER	FINISH
43178-4001	999
43178-4002	H901



CARRIER STRIP PROGRESSION
SCALE 2:1



NOTES

- MATERIAL: BRASS
- FINISH:
999 - UNPLATED
H901 - 20 MICRINCH / 0.5 MICROMETERE MIN. PREPLATED HOT TIN DIP
- PRODUCT SPECIFICATION: PS-44441-001
- PACKAGING: TERMINALS ARE WOUND ON 30" REELS WITH PAPER INTERLEAF. 6000 PER REEL.
- TERMINAL ACCEPTS SINGLE #18 OR #20 AWG STRANDED WIRE; INSULATION: UL TYPE 1015, .098-.110 / 2.50-2.85 DIAMETER, (.031 / 0.79 NOMINAL JACKET WALL THICKNESS) OR DOUBLE 22 AWG.
- TERMINAL FOR USE IN "SABRE" PLUG HOUSINGS, SERIES 43680. MATES TO 43374 / 43375 SERIES TERMINALS.
- TERMINAL HAS TPA (TOTAL POSITIONING ASSURANCE) OPTIONAL ACTIVATION FEATURE THAT WHEN ACTIVATED AND USED WITH MOLEX "SABRE" SERIES PLUG HOUSINGS PROVIDES A SECONDARY LOCK SYSTEM WHICH ENSURES AGAINST TERMINAL BACKOUTS.

ADD 2x22 AWG EC NO: UCP2015-5072 DRWN:JMONT 2015/06/01 CHKD:ANDERSON 2015/06/02 APPR:FSMITH 2015/06/15	QUALITY SYMBOLS ▽=0 ▽=0 ▽=0	GENERAL TOLERANCES (UNLESS SPECIFIED)		DIMENSION STYLE	SCALE	DESIGN UNITS	THIRD ANGLE PROJECTION TERMINAL, MALE CRIMP, 18-20 AWG, .125 WIDE TAB SABRE SERIES, W/ TPA molex DOCUMENT NO. SD-43178-002 SHEET NO. 1 OF 1
				IN/MM	8:1	INCH	
				DRAWN BY	DATE	TITLE	
				CSTEWART	02-23-06		
REV A1	DESCRIPTION ADD 2x22 AWG			CHECKED BY	DATE		
				BWIRKUS	02-23-06		
				APPROVED BY	DATE		
				BWIRKUS	02-23-06		
		ANGULAR ±1/2°		MATERIAL NO.			
		DRAFT WHERE APPLICABLE MUST REMAIN WITHIN DIMENSIONS		SEE CHART			
				SIZE	THIS DRAWING CONTAINS INFORMATION THAT IS PROPRIETARY TO MOLEX INCORPORATED AND SHOULD NOT BE USED WITHOUT WRITTEN PERMISSION		
				C			