



Chipsmall Limited consists of a professional team with an average of over 10 year of expertise in the distribution of electronic components. Based in Hongkong, we have already established firm and mutual-benefit business relationships with customers from,Europe,America and south Asia,supplying obsolete and hard-to-find components to meet their specific needs.

With the principle of “Quality Parts,Customers Priority,Honest Operation,and Considerate Service”,our business mainly focus on the distribution of electronic components. Line cards we deal with include Microchip,ALPS,ROHM,Xilinx,Pulse,ON,Everlight and Freescale. Main products comprise IC,Modules,Potentiometer,IC Socket,Relay,Connector.Our parts cover such applications as commercial,industrial, and automotives areas.

We are looking forward to setting up business relationship with you and hope to provide you with the best service and solution. Let us make a better world for our industry!



Contact us

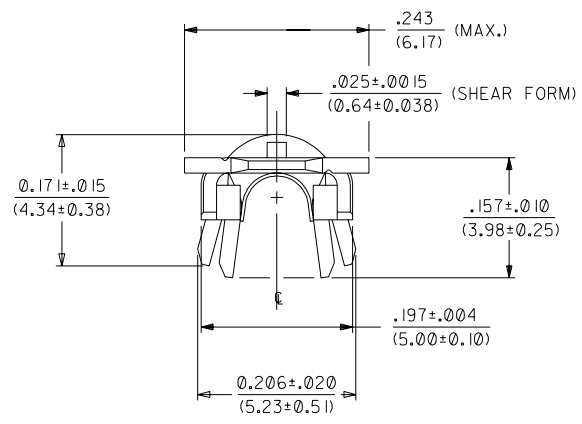
Tel: +86-755-8981 8866 Fax: +86-755-8427 6832

Email & Skype: info@chipsmall.com Web: www.chipsmall.com

Address: A1208, Overseas Decoration Building, #122 Zhenhua RD., Futian, Shenzhen, China

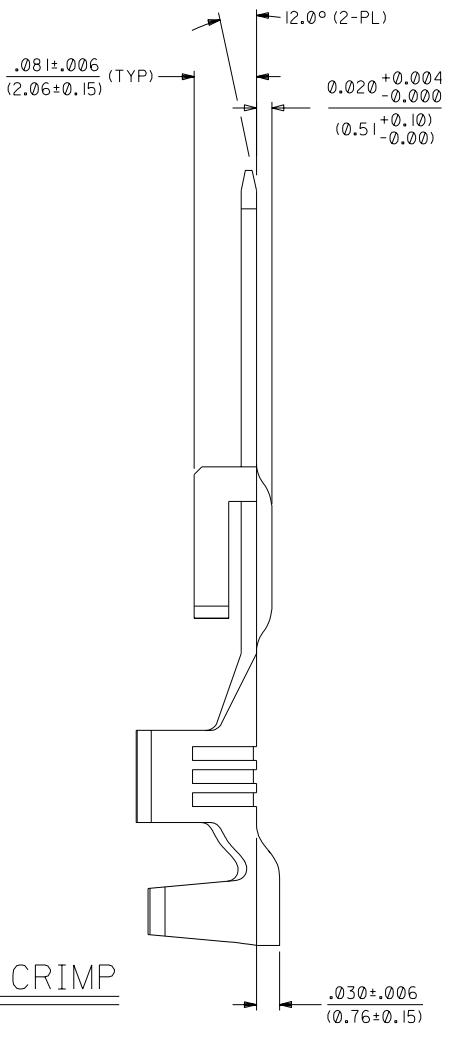
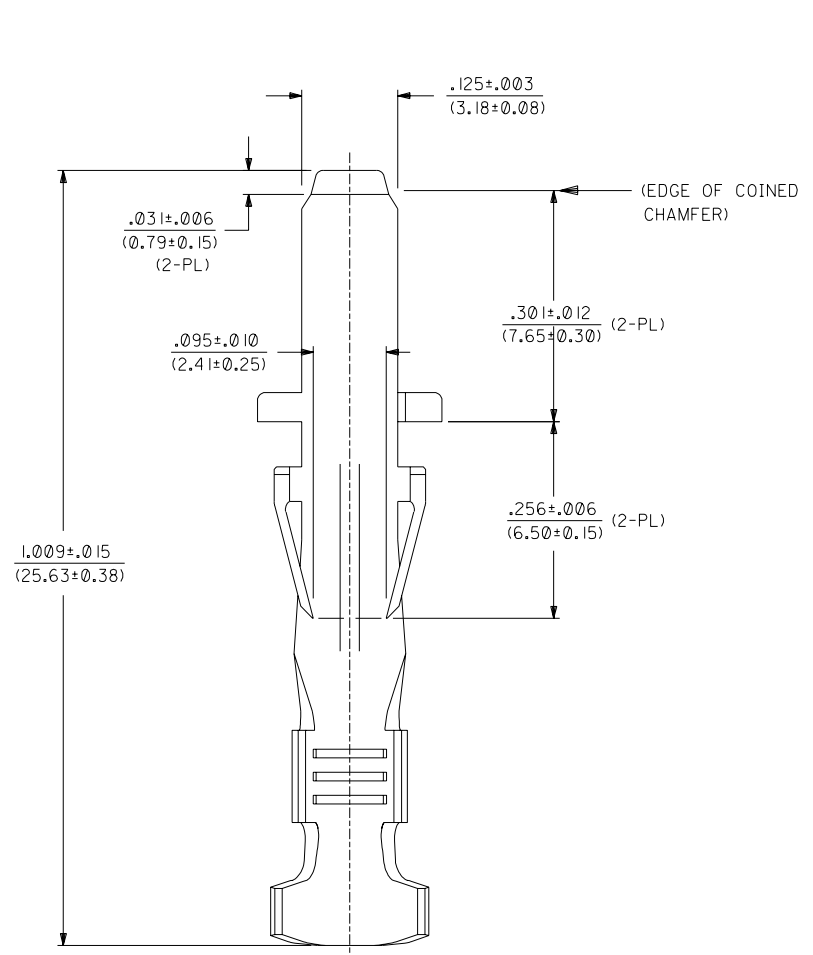


MATERIAL NUMBER	FINISH	HOLE
43178-5001	999	NOT USED
43178-5002	H901	NOT USED
43178-5003	F542	NOT USED



NOTES

- MATERIAL: BRASS
- FINISH:
999 - UNPLATED
H901 - 20 MICROINCH MIN. HOT TIN DIP
F542 - 15 MICROINCH MIN. SELECT GOLD IN CONTACT AREA, 50 MICROINCH TIN-LEAD IN CRIMP AREA, NICKEL UNDERPLATE OVERALL.
- PRODUCT SPECIFICATION : PSX-44441-9999.
- TERMINAL FOR USE WITH A SINGLE #18 AWG UL TYPE 1015 WIRE, HAVING A MAXIMUM INSULATION DIAMETER OF .130/(3.30).
- TERMINAL FOR USE WITH SABRE SERIES HOUSINGS AND APPLICATIONS REQUIRING TERMINALS MEET UL1950 SPACING REQUIREMENTS.



SMALL INSULATION CRIMP

A1	REVISED EC*UCR2002-1132 6/27/02 BW
A	RELEASE UCR 2002-0837 4/5/02 BW

DIMENSIONS SHOWN (METRIC) INCH UNLESS OTHERWISE SPECIFIED TOLERANCES: ANGULAR ± 1/2°		▽ = 0		= 0		REVISE ONLY ON CAD SYSTEM	
3 PLACE	±	---	---				
2 PLACE	±	---	---				
1 PLACE	---	±	---				
DRAFT WHERE APPLICABLE MUST REMAIN WITHIN DIMENSIONS				MOLEX INCORPORATED LITSE,ILL. 60532 U.S.A.		SHEET NO. DATE 1 OF 1 04/05/02	
DRWG. BY: BW		CHK'D. BY: BW		FILE NAME: ET43178X5		DIV. CP	
APP'D. BY: SF		SCALE: 8:1		SEE CHART		SD-43178-5***	
THIS DRAWING CONTAINS INFORMATION THAT IS PROPRIETARY TO MOLEX INC. AND SHOULD NOT BE USED WITHOUT WRITTEN PERMISSION.							