



Chipsmall Limited consists of a professional team with an average of over 10 year of expertise in the distribution of electronic components. Based in Hongkong, we have already established firm and mutual-benefit business relationships with customers from,Europe,America and south Asia,supplying obsolete and hard-to-find components to meet their specific needs.

With the principle of “Quality Parts,Customers Priority,Honest Operation,and Considerate Service”,our business mainly focus on the distribution of electronic components. Line cards we deal with include Microchip,ALPS,ROHM,Xilinx,Pulse,ON,Everlight and Freescale. Main products comprise IC,Modules,Potentiometer,IC Socket,Relay,Connector.Our parts cover such applications as commercial,industrial, and automotives areas.

We are looking forward to setting up business relationship with you and hope to provide you with the best service and solution. Let us make a better world for our industry!



## Contact us

Tel: +86-755-8981 8866 Fax: +86-755-8427 6832

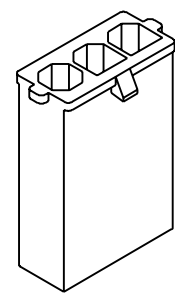
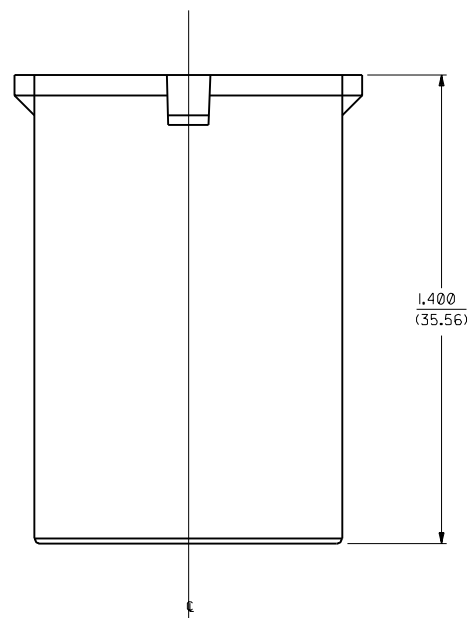
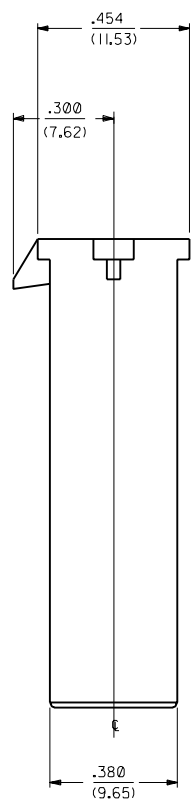
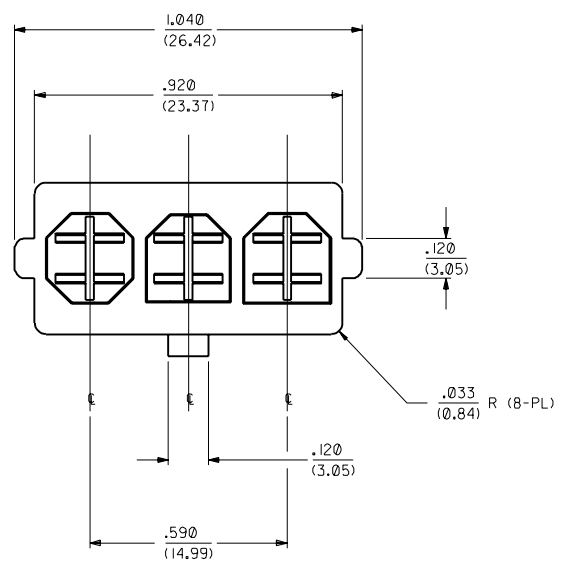
Email & Skype: info@chipsmall.com Web: www.chipsmall.com

Address: A1208, Overseas Decoration Building, #122 Zhenhua RD., Futian, Shenzhen, China



### NOTES:

1. ALL DIMENSIONS ARE FOR REFERENCE ONLY.
2. MATERIAL: NYLON UL94V-2, COLOR BLACK
3. THIS CONNECTOR HOUSING FOR USE WITH 43178-\*\*\*\* TERMINALS.
4. THIS CONNECTOR HOUSING WILL MATE TO 43335-\*\*\*\*3, 43179-\*\*\*3 AND 44441-\*\*\*3 HOUSINGS.
5. PACKAGING : PK-43180-001.



SD-43180-0023  
SCALE 2:1

MFG.		SH.	REV.	LTR.	REVISIONS
					RELEASED PER LICR2001-025-4 00/09/19 ES
<b>REVISIONS</b>					
<b>REVISE ONLY ON CAD SYSTEM</b>					
DIMENSIONS SHOWN (METRIC) INCH					
UNLESS OTHERWISE SPECIFIED TOLERANCES: ANGULAR ± 1/2°					
		INCH		METRIC	
3 PLACE	±	---	---	---	---
2 PLACE	±	---	---	---	---
1 PLACE	---	---	---	---	---
DRAFT WHERE APPLICABLE MUST REMAIN WITHIN DIMENSIONS					
DRWG. BY	ES	CHKD. BY	RE	FILE NAME	
APP'D. BY	RE	SCALE	4:1		
PART NO.		DRWG. NO.		TITLE	
431800023		SD-43180-0023		3-CIR. PLUG HOUSING .125/(3.18) X .020/(0.51) FLAT BLADE SYSTEM - TPA	
MOLEX INCORPORATED		LITSE,ILL. 60532 U.S.A.		SHEET NO. DATE 1 OF 1 00/09/19	
THIS DRAWING CONTAINS INFORMATION THAT IS PROPRIETARY TO MOLEX INC. AND SHOULD NOT BE USED WITHOUT WRITTEN PERMISSION.		REV.		SIZE	
		CO		C	