



Chipsmall Limited consists of a professional team with an average of over 10 year of expertise in the distribution of electronic components. Based in Hongkong, we have already established firm and mutual-benefit business relationships with customers from,Europe,America and south Asia,supplying obsolete and hard-to-find components to meet their specific needs.

With the principle of “Quality Parts,Customers Priority,Honest Operation,and Considerate Service”,our business mainly focus on the distribution of electronic components. Line cards we deal with include Microchip,ALPS,ROHM,Xilinx,Pulse,ON,Everlight and Freescale. Main products comprise IC,Modules,Potentiometer,IC Socket,Relay,Connector.Our parts cover such applications as commercial,industrial, and automotives areas.

We are looking forward to setting up business relationship with you and hope to provide you with the best service and solution. Let us make a better world for our industry!



Contact us

Tel: +86-755-8981 8866 Fax: +86-755-8427 6832

Email & Skype: info@chipsmall.com Web: www.chipsmall.com

Address: A1208, Overseas Decoration Building, #122 Zhenhua RD., Futian, Shenzhen, China

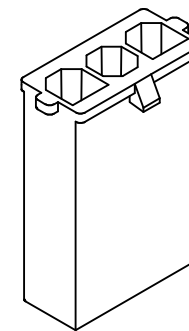
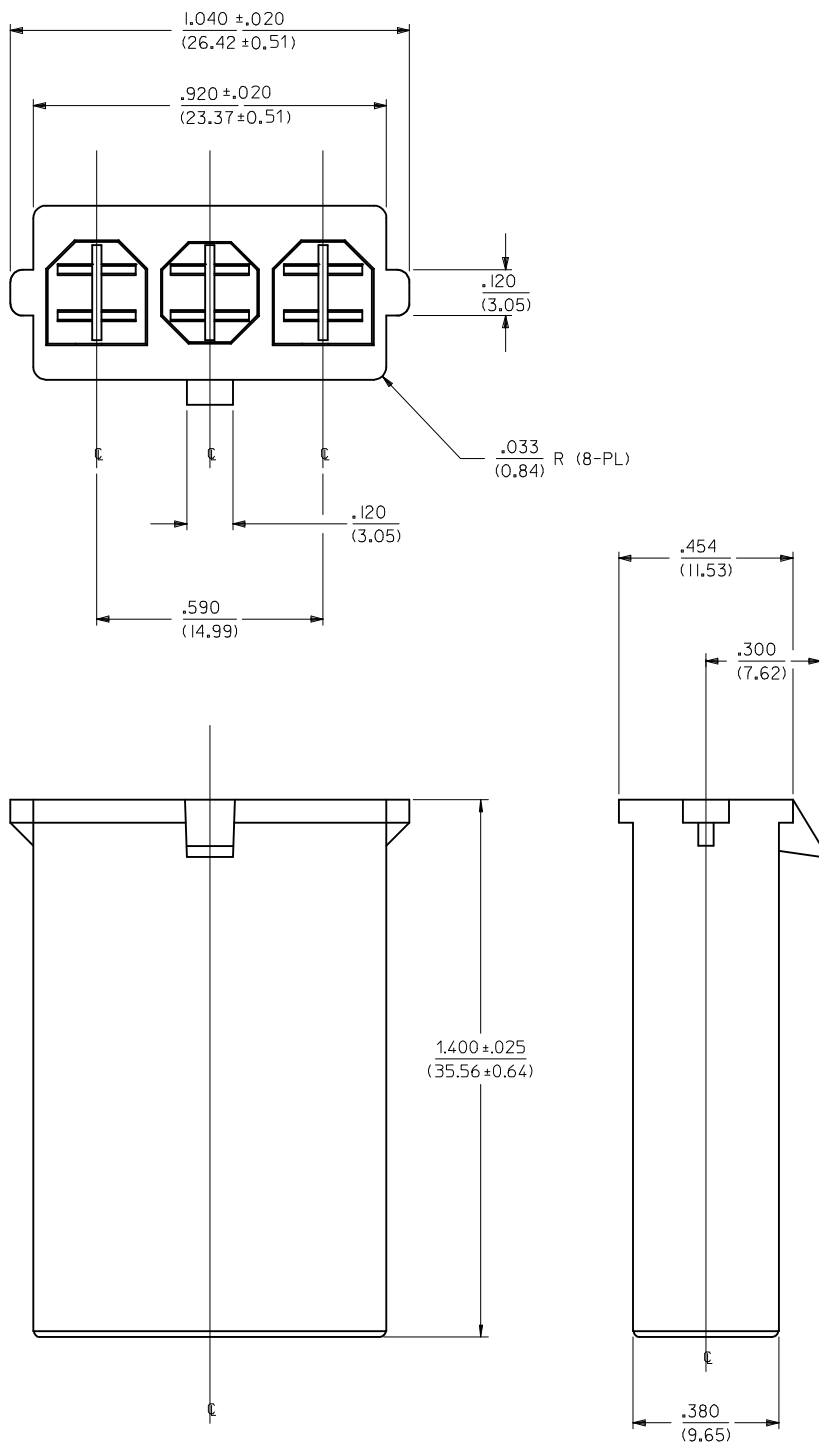


X = NOT RELEASED FOR PRODUCTION

	ITEM NUMBER	MATERIAL (SEE NOTE 1)	COLOR
	43180-1003	A	NATURAL
X	43180-2003	B	BLACK
	OBSOLETE 43180-3003	A	RED
	43180-4003	A	BLUE
	43180-5003	C	BLACK
	43180-7003	E	BLACK

NOTES:

- MATERIAL: A: NYLON, PA66, 94V-2, COLOR: SEE CHART.
B: NYLON, PA66/6, 94V-0, BLACK.
C: UL94V-0, PA66 NYLON.
E: NYLON, UL94V-2, COLOUR:BLACK, IEC 60335-1, GLOW WIRE CAPABLE.
- FINISH: NONE
- PRODUCT SPECIFICATION: PSX-43335-9999.
- PACKAGING SPECIFICATION: PK-43180-001.
- THIS CONNECTOR HOUSING FOR USE WITH 43178-**** TERMINALS.
- THIS CONNECTOR HOUSING WILL MATE TO 43335-***3, 43179-***3, AND 44441-***3 HOUSINGS.
- PARTS CONFORM TO CLASS B REQUIREMENTS OF COSMETIC SPECIFICATION PS-45499-002 EXCEPT MATERIAL OPTION 'C' MEETS CLASS 'C' REQUIREMENTS FOR SINK AND DISCOLORATION.



ADD-7003 PN EC NO: UCP2014-2000 DRWNGES 2013/11/06 CHKD: BANDERSON 2013/11/11 APPR: FSMITH 2014/03/31	QUALITY SYMBOLS ▽=0 ▽=0 ▽=0	GENERAL TOLERANCES (UNLESS SPECIFIED)		DIMENSION STYLE IN/MM		SCALE 4:1	DESIGN UNITS INCH	THIRD ANGLE PROJECTION	
		4 PLACES ± --- ± --- 3 PLACES ± --- ± .010 2 PLACES ± 0.25 ± .014 1 PLACE ± 0.35 ± --- 0 PLACE ± ±	mm INCH DRAWN BY DATE MAB 1995/08/09 CHECKED BY DATE KBP 1995/08/09 APPROVED BY DATE RAS 1995/08/09	TITLE 3-CIR PLUG HOUSING .125/(3.18)X .020/(0.51) FLAT BLADE SYS. - T.P.A.		MATERIAL NO. SEE CHART		DOCUMENT NO. SD-43180-*003	SHEET NO. 1 OF 1
DRAFT WHERE APPLICABLE MUST REMAIN WITHIN DIMENSIONS		ANGULAR ±1/2°		SIZE C		THIS DRAWING CONTAINS INFORMATION THAT IS PROPRIETARY TO MOLEX. INCORPORATED AND SHOULD NOT BE USED WITHOUT WRITTEN PERMISSION			