



Chipsmall Limited consists of a professional team with an average of over 10 year of expertise in the distribution of electronic components. Based in Hongkong, we have already established firm and mutual-benefit business relationships with customers from,Europe,America and south Asia,supplying obsolete and hard-to-find components to meet their specific needs.

With the principle of “Quality Parts,Customers Priority,Honest Operation,and Considerate Service”,our business mainly focus on the distribution of electronic components. Line cards we deal with include Microchip,ALPS,ROHM,Xilinx,Pulse,ON,Everlight and Freescale. Main products comprise IC,Modules,Potentiometer,IC Socket,Relay,Connector.Our parts cover such applications as commercial,industrial, and automotives areas.

We are looking forward to setting up business relationship with you and hope to provide you with the best service and solution. Let us make a better world for our industry!



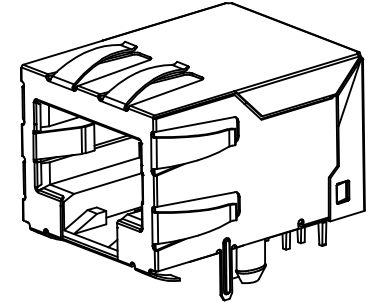
Contact us

Tel: +86-755-8981 8866 Fax: +86-755-8427 6832

Email & Skype: info@chipsmall.com Web: www.chipsmall.com

Address: A1208, Overseas Decoration Building, #122 Zhenhua RD., Futian, Shenzhen, China





SHIELDED MODULAR JACK SHOWN WITH PANEL GROUND OPTION 'D' AND FRONT PCB GROUND TABS.

NOTES:

1) MATERIAL:

HOUSING: NYLON(PA), GLASS FILLED, UL94V-0, COLOR: SEE SHEETS 5 AND 6
 INSULATOR: NYLON(PA), GLASS FILLED, UL94V-0, COLOR: SEE SHEETS 5 AND 6
 TERMINALS: PHOSPHOR BRONZE, .012/ 0.30 THICK
 SHIELD: BRASS, .007/ 0.18 THICK

2) FINISH:

TERMINALS:

A = SELECT GOLD IN CONTACT AREA: 50 MICROINCHES / 1.27 MICROMETERS MIN.,
 *SELECT TIN IN PC TAIL AREA: 100 MICROINCHES / 2.54 MICROMETERS MIN.,
 WITH OVERALL NICKEL UNDERPLATE: 50 MICROINCHES / 1.27 MICROMETERS MIN.
 B = SELECT GOLD IN CONTACT AREA: 30 MICROINCHES / 0.76 MICROMETERS MIN.,
 *SELECT TIN IN PC TAIL AREA: 100 MICROINCHES / 2.54 MICROMETERS MIN.,
 WITH OVERALL NICKEL UNDERPLATE: 50 MICROINCHES / 1.27 MICROMETERS MIN.
 *THE PRIMARY SHIPPING CARTON WILL BE LABELED "COMPLIANT TO RoHS
 DIRECTIVE 2002/95/EC AND ELV ANNEX II OF DIRECTIVE 2000/53/EC".
 CARTONS WITHOUT THIS LABEL MAY CONTAIN PRODUCT WITH TIN-LEAD
 IN THE PC TAILS AND/OR SHIELD.

SHIELD:

100 MICROINCHES / 2.54 MICROMETERS NICKEL OVER 50 MICROINCHES / 1.27
 MICROMETERS COPPER UNDERPLATE PCB GROUND TABS DIPPED IN TIN

3) PRODUCT SPECIFICATION AND PROCESSING PARAMETERS: PS-43202.

4) PACKAGING SPECIFICATION:

UNSHIELDED CONNECTOR ASSEMBLIES PACKAGED IN THERMOFORMED TRAYS
 PER MOLEX PACKAGING SPECIFICATION PK-43202-003.
 UNSHIELDED CONNECTOR ASSEMBLIES PACKAGED IN TUBES
 PER MOLEX PACKAGING SPECIFICATION PK-43202-005.
 SHIELDED CONNECTOR ASSEMBLIES PACKAGED IN THERMOFORMED TRAYS
 PER MOLEX PACKAGING SPECIFICATION PK-43202-004.

5) SEE SHEETS 7 - 9 FOR P.C. BOARD LAYOUTS.

6) CONFORMS TO FCC REGULATION PART 68.5 FOR MODULAR JACKS.

7) THIS PART CONFORMS TO CLASS B REQUIREMENTS OF COSMETIC
 SPECIFICATION PS-45499-002.

DRAWING LEGEND

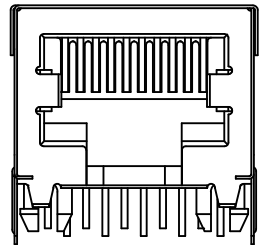
- SHEET 1- NOTES, DRAWING LEGEND
- SHEET 2- SHIELDED MODULAR JACK W/ BOTTOM GROUND TABS
- SHEET 3- SHIELDED MODULAR JACK W/O BOTTOM GROUND TABS
- SHEET 4- UNSHIELDED MODULAR JACK
- SHEET 5- PART NUMBER CHARTS
- SHEET 6- PART NUMBER CHARTS
- SHEET 7- FOOTPRINT LAYOUT FOR 4 POSITION HOUSING
- SHEET 8- FOOTPRINT LAYOUT FOR 6 POSITION HOUSING
- SHEET 9- FOOTPRINT LAYOUT FOR 8 POSITION HOUSING

ADD VIEWS EC NO: UCP2012-2472 DRWNG: NGUYEN CHKD: J.BELL APPR: F.SMITH L5	2012/02/03 2012/02/03 2012/02/09	QUALITY SYMBOLS ▽=0 ▽=0 ▽=0	GENERAL TOLERANCES (UNLESS SPECIFIED) mm INCH 4 PLACES ± --- ± --- 3 PLACES ± --- ± .010 2 PLACES ± 0.25 ± .014 1 PLACE ± 0.36 ± --- ANGULAR ± 1/2°		DIMENSION STYLE IN/MM DRAWN BY DATE JTR 1993/03/31 CHECKED BY DATE JTR 1993/03/31 APPROVED BY DATE F.SMITH 2012/02/09		SCALE 4:1	DESIGN UNITS INCH	THIRD ANGLE PROJECTION	TITLE ULTRA LOW PROFILE RIGHT ANGLE MODULAR JACK ASSEMBLY		MATERIAL NO. SEE SHTS 5&6	DOCUMENT NO. SDA-43202	SHEET NO. 1 OF 9
	DRAFT WHERE APPLICABLE MUST REMAIN WITHIN DIMENSIONS			SIZE THIS DRAWING CONTAINS INFORMATION THAT IS PROPRIETARY TO MOLEX INCORPORATED AND SHOULD NOT BE USED WITHOUT WRITTEN PERMISSION		MOLEX MOLEX INCORPORATED								
	Molex logo													
	Molex logo													

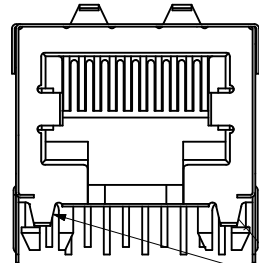
SHIELDED MODULAR JACK W/BOTTOM GROUND TABS

SIZE 8 LOADED 10 VERSION SHOWN

SIDE/TOP GROUND TAB OPTIONS FOR SHIELDS



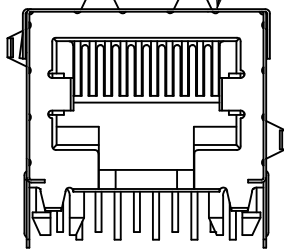
OPTION "A"
NO TOP OR SIDE TABS



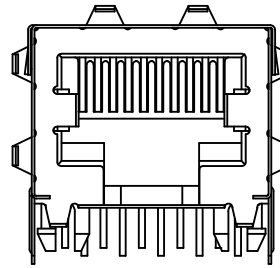
OPTION "B"
TOP TABS
BOTTOM GROUND TABS

OPTIONAL TOP GROUND TABS

SHIELDED MODULAR JACK ASSEMBLY
SEE SHEET 5 FOR MATERIAL NO.

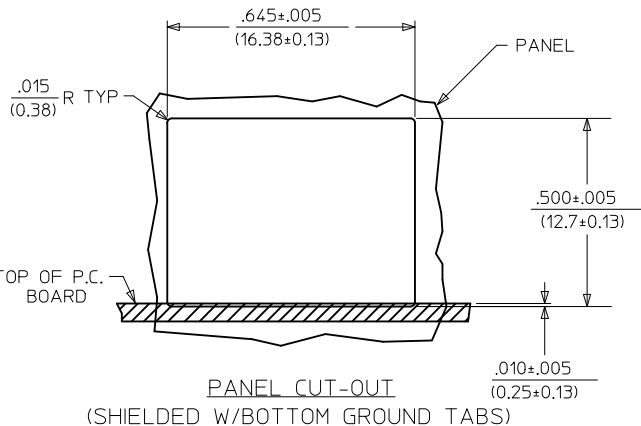


OPTION "C"
TOP AND STAGGERED SIDE TABS

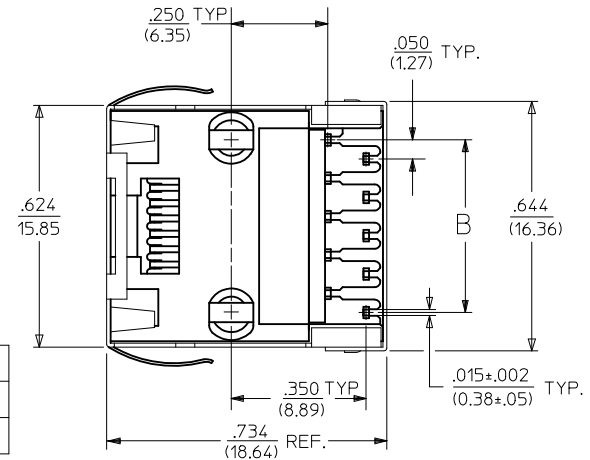
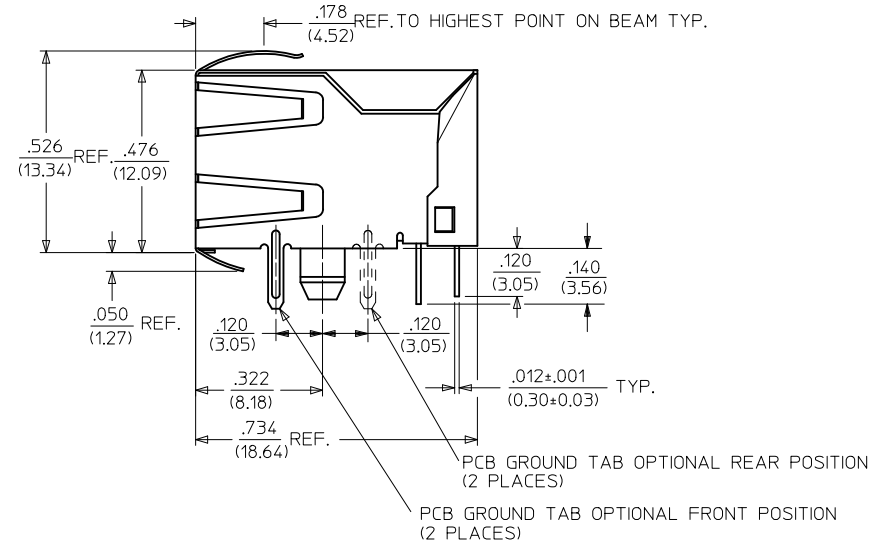


OPTION "D"
TOP AND SIDE TABS

OPTIONAL SIDE GROUND TABS
(2 PLACES)



HOUSING SIZE	CIRCUIT SIZE	B
8	10	.450±.005 11.43±.13
8	8	.350±.005 8.89±.13

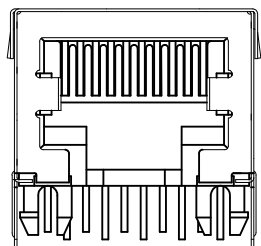


SEE SHEET 1 EC NO: UCP2012-2472 DRAWN: NGUYEN CHKD: BELL APPR: FSMITH	DESCRIPTION 2012/02/03 2012/02/03 2012/02/09	QUALITY SYMBOLS	GENERAL TOLERANCES (UNLESS SPECIFIED)	DIMENSION STYLE IN/MM	SCALE 4:1	DESIGN UNITS INCH	THIRD ANGLE PROJECTION
		▽=0 ▽=0 ▽=0	mm INCH 4 PLACES ± --- ± --- 3 PLACES ± --- ± .010 2 PLACES ± 0.25 ± .014 1 PLACE ± 0.36 ± --- ANGULAR ± 1/2°	DRAWN BY DATE JTR 1993/03/31 CHECKED BY DATE JTR 1993/03/31 APPROVED BY DATE FSMITH 2012/02/09	TITLE ULTRA LOW PROFILE RIGHT ANGLE MODULAR JACK ASSEMBLY		
DRAFT WHERE APPLICABLE MUST REMAIN WITHIN DIMENSIONS		SEE SHEET 5	MATERIAL NO. DOCUMENT NO.		MOLEX INCORPORATED		SHEET NO. 2 OF 9
THIS DRAWING CONTAINS INFORMATION THAT IS PROPRIETARY TO MOLEX INCORPORATED AND SHOULD NOT BE USED WITHOUT WRITTEN PERMISSION							

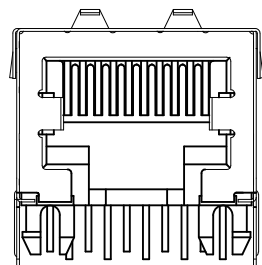
SHIELDED MODULAR JACK W/O BOTTOM GROUND TABS

SIZE 8, LOADED 10 VERSION SHOWN

SIDE/TOP GROUND TAB OPTIONS FOR SHIELDS



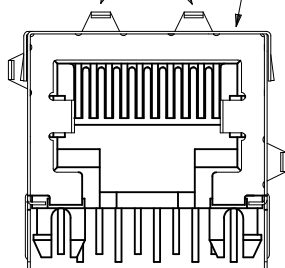
OPTION "E"
NO TOP OR SIDE TABS



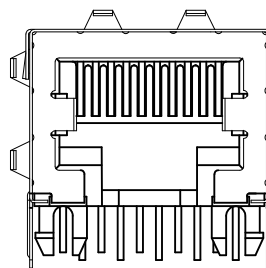
OPTION "F"
TOP TABS

OPTIONAL TOP GROUND TABS

SHIELDED MODULAR JACK ASSEMBLY
SEE SHEET 6 FOR MATERIAL NO.

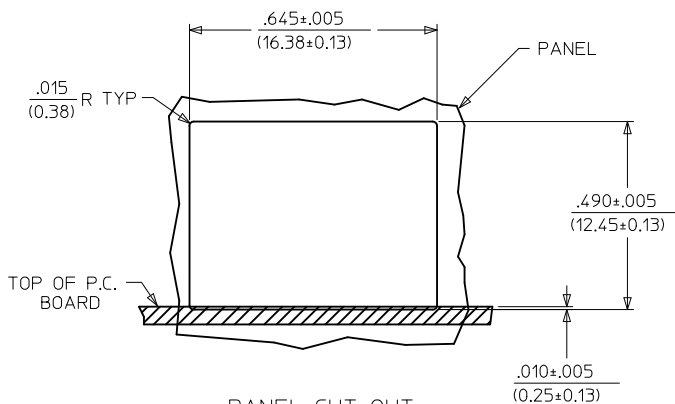


OPTION "G"
TOP AND STAGGERED SIDE TABS



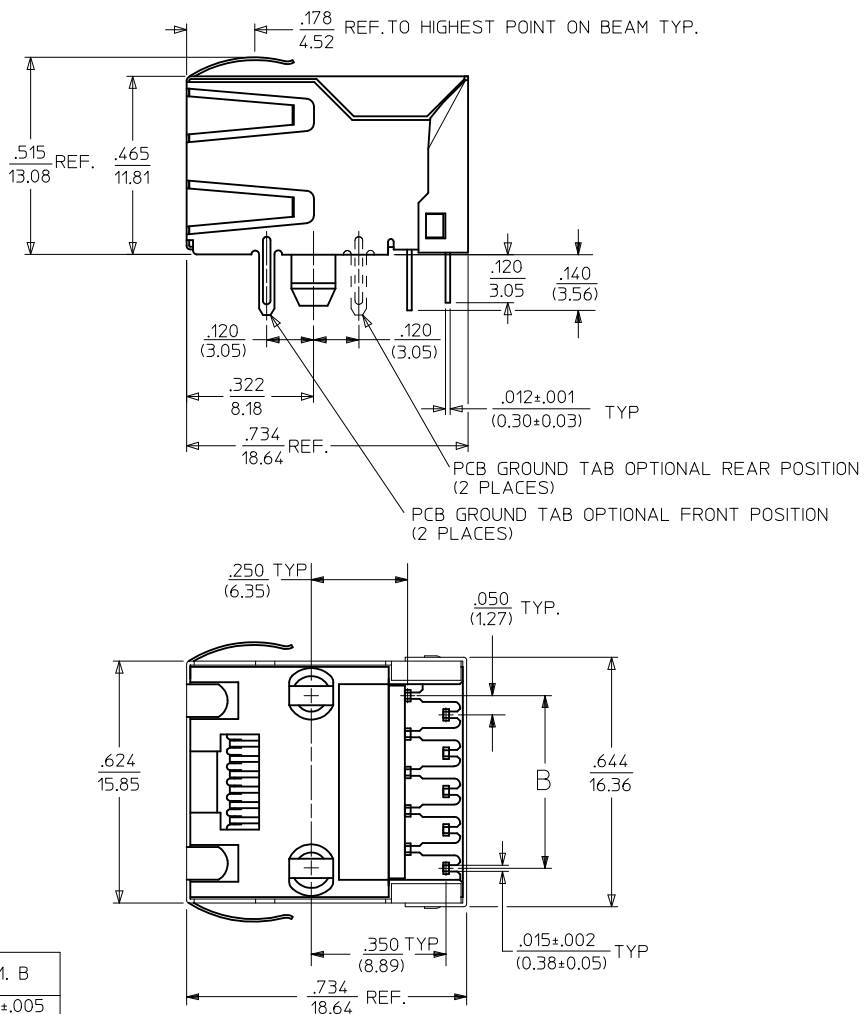
OPTION "H"
TOP AND SIDE TABS

OPTIONAL SIDE
GROUND TABS
(2 PLACES)

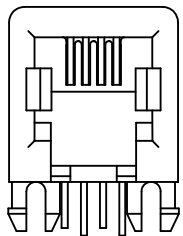


PANEL CUT-OUT
(SHIELDED W/O BOTTOM GROUND TABS)

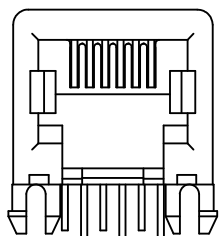
HOUSING SIZE	CIRCUIT SIZE	DIM. B
8	10	.450±.005 (11.43±0.13)
8	8	.350±.005 (8.89±0.13)



SEE SHEET 1 EC NO: UCP2012-2472 DRW: NGUYEN 2012/02/03 CHKD: BELL 2012/02/03 APPR: FSMITH 2012/02/09	QUALITY SYMBOLS ∇=0 ∇=0 ∇=0	GENERAL TOLERANCES (UNLESS SPECIFIED)		DIMENSION STYLE IN/MM	SCALE 4:1	DESIGN UNITS INCH	THIRD ANGLE PROJECTION
		4 PLACES ± --- ± --- 3 PLACES ± --- ± .010 2 PLACES ± 0.25 ± .014 1 PLACE ± 0.36 ± ---	mm INCH DRAWN BY DATE JTR 1993/03/31 CHECKED BY DATE JTR 1993/03/31 APPROVED BY DATE FSMITH 2012/02/09	TITLE ULTRA LOW PROFILE RIGHT ANGLE MODULAR JACK ASSEMBLY			
DRAFT WHERE APPLICABLE MUST REMAIN WITHIN DIMENSIONS		ANGULAR ±1/2°		MATERIAL NO. SEE SHEET 6		MOLEX INCORPORATED DOCUMENT NO. SDA-43202	
REV L5		SIZE C		THIS DRAWING CONTAINS INFORMATION THAT IS PROPRIETARY TO MOLEX INCORPORATED AND SHOULD NOT BE USED WITHOUT WRITTEN PERMISSION		SHEET NO. 3 OF 9	



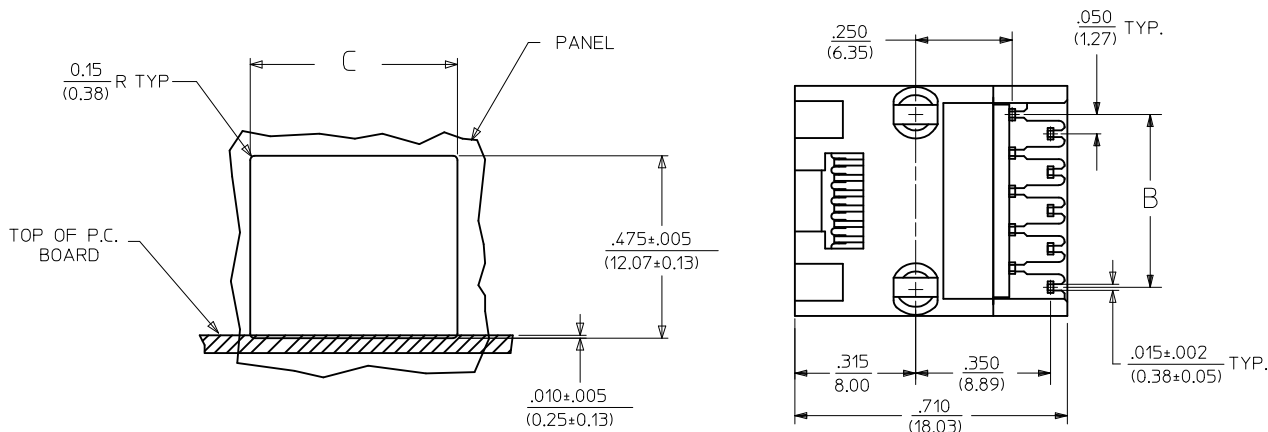
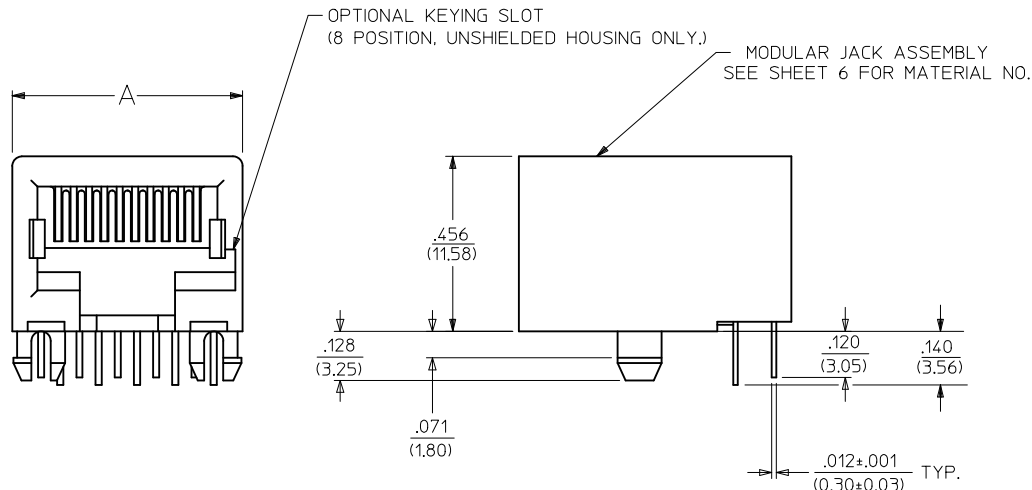
SIZE 4
LOADED 4 SHOWN



SIZE 6
LOADED 6 SHOWN

UNSHIELDED MODULAR JACKS

SIZE 8, LOADED 10 SHOWN



HOUSING SIZE	LOADED CIRCUITS	A	B	C
4	4	.440 (11.18)	.150±.005 (3.81±0.13)	.460±.005 (11.68±0.13)
4	2	.440 (11.18)	.050±.005 (1.27±0.13)	.460±.005 (11.68±0.13)
6	6	.520 (13.21)	.250±.005 (6.35±0.13)	.540±.005 (13.72±0.13)
6	4	.520 (13.21)	.150±.005 (3.81±0.13)	.540±.005 (13.72±0.13)
6	2	.520 (13.21)	.050±.005 (1.27±0.13)	.540±.005 (13.72±0.13)
8	10	.600 (15.24)	.450±.005 (11.43±0.13)	.620±.005 (15.75±0.13)
8	8	.600 (15.24)	.350±.005 (8.89±0.13)	.620±.005 (15.75±0.13)
8	6	.600 (15.24)	.250±.005 (6.35±0.13)	.620±.005 (15.75±0.13)
8	4	.600 (15.24)	.150±.005 (3.81±0.13)	.620±.005 (15.75±0.13)
8	2	.600 (15.24)	.050±.005 (1.27±0.13)	.620±.005 (15.75±0.13)

SEE SHEET 1 EC NO: UCP2012-2472 DRAWN: NGUYEN 2012/02/03 CHKD: J.BELL 2012/02/03 APPR: F.SMITH 2012/02/09 L5	QUALITY SYMBOLS 	GENERAL TOLERANCES (UNLESS SPECIFIED)		DIMENSION STYLE IN/MM	SCALE 4:1	DESIGN UNITS INCH	THIRD ANGLE PROJECTION		
		4 PLACES ± --- ± --- 3 PLACES ± --- ± .010 2 PLACES ± .025 ± .014 1 PLACE ± .036 ± ---	mm INCH	DRAWN BY JTR	DATE 1993/03/31	TITLE ULTRA LOW PROFILE RIGHT ANGLE MODULAR JACK ASSEMBLY			
		ANGULAR ±1/2°		CHECKED BY JTR	DATE 1993/03/31	APPROVED BY F.SMITH			
		DRAFT WHERE APPLICABLE MUST REMAIN WITHIN DIMENSIONS		MATERIAL NO. SEE SHEET 6	DATE 2012/02/09	MOLEX INCORPORATED DOCUMENT NO. SDA-43202			
				SHEET NO. 4 OF 9		THIS DRAWING CONTAINS INFORMATION THAT IS PROPRIETARY TO MOLEX INCORPORATED AND SHOULD NOT BE USED WITHOUT WRITTEN PERMISSION			

SHIELDED MODULAR JACKS W/BOTTOM GROUND TABS (SHEET 2)

ASSEMBLY MATERIAL NUMBER	CONNECTOR SIZE	NUMBER OF CIRCUITS	SIDE/TOP PANEL GROUND TAB OPTION	PCB GROUND TAB OPTION	TERMINAL PLATING OPTION	PACKAGING OPTION	HOUSING COLOR
43202-8900	8	10	A	FRONT POSITION	A	TRAY	BLACK
43202-8901	8	10	B	FRONT POSITION	A	TRAY	
43202-8902	8	10	C	FRONT POSITION	A	TRAY	
43202-8903	8	10	D	FRONT POSITION	A	TRAY	
43202-8908	8	10	A	REAR POSITION	A	TRAY	
43202-8909	8	10	B	REAR POSITION	A	TRAY	
43202-8910	8	10	C	REAR POSITION	A	TRAY	
43202-8911	8	10	D	REAR POSITION	A	TRAY	
43202-8916	8	8	A	FRONT POSITION	A	TRAY	
43202-8917	8	8	B	FRONT POSITION	A	TRAY	
43202-8918	8	8	C	FRONT POSITION	A	TRAY	
43202-8919	8	8	D	FRONT POSITION	A	TRAY	
43202-8924	8	8	A	REAR POSITION	A	TRAY	
43202-8925	8	8	B	REAR POSITION	A	TRAY	
43202-8926	8	8	C	REAR POSITION	A	TRAY	
43202-8927	8	8	D	REAR POSITION	A	TRAY	

SEE SHEET 1 EC NO: UCP2012-2472 DRW: NGUYEN 2012/02/03 CHKD: BELL 2012/02/03 APPR: FSMITH 2012/02/09	QUALITY SYMBOLS ▽=0 ▽=0 ▽=0	GENERAL TOLERANCES (UNLESS SPECIFIED)		DIMENSION STYLE IN/MM		SCALE 4:1	DESIGN UNITS INCH	THIRD ANGLE PROJECTION			
				mm	INCH	DRAWN BY JTR	DATE 1993/03/31	TITLE ULTRA LOW PROFILE RIGHT ANGLE MODULAR JACK ASSEMBLY			
				4 PLACES ± ---	± ---	CHECKED BY JTR	DATE 1993/03/31				
				3 PLACES ± ---	±.010	APPROVED BY FSMITH	DATE 2012/02/09				
		2 PLACES ± 0.25	±.014	MATERIAL NO. SEE CHART		MOLEX INCORPORATED		SHEET NO. 5 OF 9			
		1 PLACE ± 0.36	± ---	DRAFT WHERE APPLICABLE MUST REMAIN WITHIN DIMENSIONS		DOCUMENT NO. SDA-43202					
		ANGULAR ±1/2°		SIZE C		THIS DRAWING CONTAINS INFORMATION THAT IS PROPRIETARY TO MOLEX INCORPORATED AND SHOULD NOT BE USED WITHOUT WRITTEN PERMISSION					

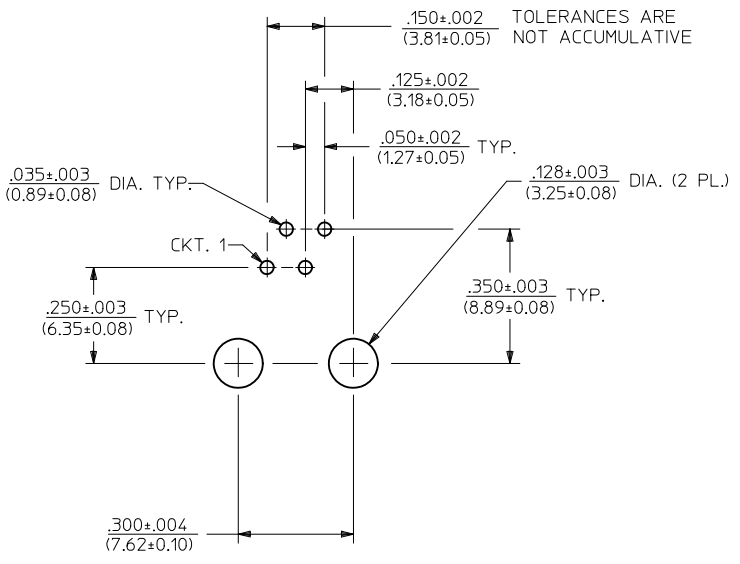
SHIELDED MODULAR JACKS W/O BOTTOM GROUND TABS (SHEET 3)

ASSEMBLY MATERIAL NUMBER	CONNECTOR SIZE	NUMBER OF CIRCUITS	SIDE/TOP PANEL GROUND TAB OPTION	PCB GROUND TAB OPTION	TERMINAL PLATING OPTION	PACKAGING	HOUSING COLOR
43202-8800	8	10	E	FRONT POSITION	A	TRAY	BLACK
43202-8801	8	10	F	FRONT POSITION	A	TRAY	
43202-8802	8	10	G	FRONT POSITION	A	TRAY	
43202-8803	8	10	H	FRONT POSITION	A	TRAY	
43202-8808	8	10	E	REAR POSITION	A	TRAY	
43202-8809	8	10	F	REAR POSITION	A	TRAY	
43202-8810	8	10	G	REAR POSITION	A	TRAY	
43202-8811	8	10	H	REAR POSITION	A	TRAY	
43202-8816	8	8	E	FRONT POSITION	A	TRAY	
43202-8817	8	8	F	FRONT POSITION	A	TRAY	
43202-8818	8	8	G	FRONT POSITION	A	TRAY	
43202-8819	8	8	H	FRONT POSITION	A	TRAY	
43202-8824	8	8	E	REAR POSITION	A	TRAY	
43202-8825	8	8	F	REAR POSITION	A	TRAY	
43202-8826	8	8	G	REAR POSITION	A	TRAY	
43202-8827	8	8	H	REAR POSITION	A	TRAY	

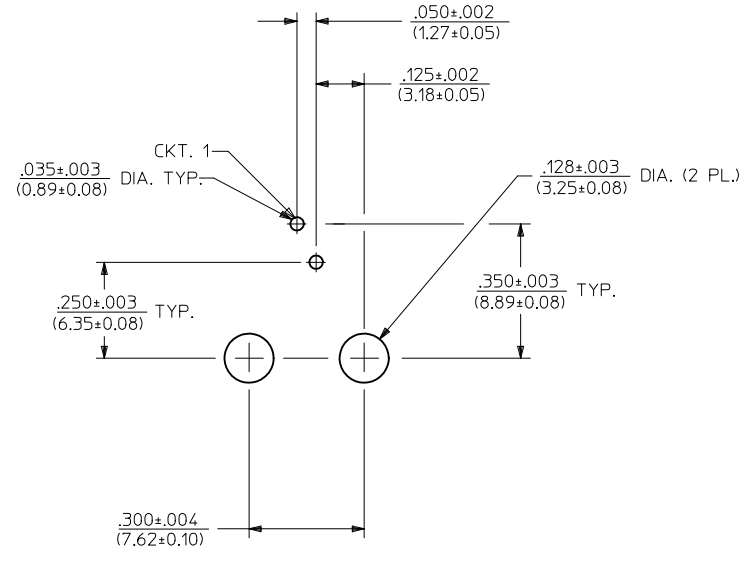
UNSHIELDED MODULAR JACKS- (SHEET 4)

ASSEMBLY MATERIAL NUMBER	CONNECTOR SIZE	NUMBER OF CIRCUITS	TERMINAL PLATING OPTION	KEYING OPTION	PACKAGING OPTION	HOUSING COLOR
43202-4101	4	4	A	NO	TRAY	BLACK
43202-4104	4	2	A	NO	TRAY	
43202-6101	6	6	A	NO	TRAY	
43202-6102	6	6	B	NO	TRAY	
43202-6104	6	4	A	NO	TRAY	
43202-6105	6	4	B	NO	TRAY	
43202-6107	6	2	A	NO	TRAY	
43202-6110	6	6	B	NO	TUBE	
43202-6113	6	2	A	NO	TRAY	
43202-6116	6	2	A	NO	TRAY	
43202-8101	8	10	A	NO	TRAY	BLACK
43202-8104	8	8	A	NO	TRAY	
43202-8105	8	8	B	NO	TRAY	
43202-8113	8	8	A	YES	TRAY	
43202-8116	8	6	A	NO	TRAY	
43202-8119	8	4	A	NO	TRAY	
43202-8122	8	2	A	NO	TRAY	
43202-8125	8	8	A	NO	TRAY	
43202-8504	8	8	A	NO	TUBE	
43202-8513	8	8	A	YES	TUBE	

SEE SHEET 1 EC NO: UCP2012-2472 DRW: NGUYEN 2012/02/03 CHKD: BELL 2012/02/03 APPR: FSMITH 2012/02/09	QUALITY SYMBOLS ▽=0 ▽=0 ▽=0	GENERAL TOLERANCES (UNLESS SPECIFIED)		DIMENSION STYLE IN/MM		SCALE 4:1	DESIGN UNITS INCH	THIRD ANGLE PROJECTION		
				DRAWN BY JTR	DATE 1993/03/31	TITLE ULTRA LOW PROFILE RIGHT ANGLE MODULAR JACK ASSEMBLY				
				CHECKED BY JTR	DATE 1993/03/31					
				APPROVED BY FSMITH	DATE 2012/02/09	MOLEX INCORPORATED				
		MATERIAL NO. SEE CHART		DOCUMENT NO. SDA-43202						
DRAFT WHERE APPLICABLE MUST REMAIN WITHIN DIMENSIONS		THIS DRAWING CONTAINS INFORMATION THAT IS PROPRIETARY TO MOLEX INCORPORATED AND SHOULD NOT BE USED WITHOUT WRITTEN PERMISSION								



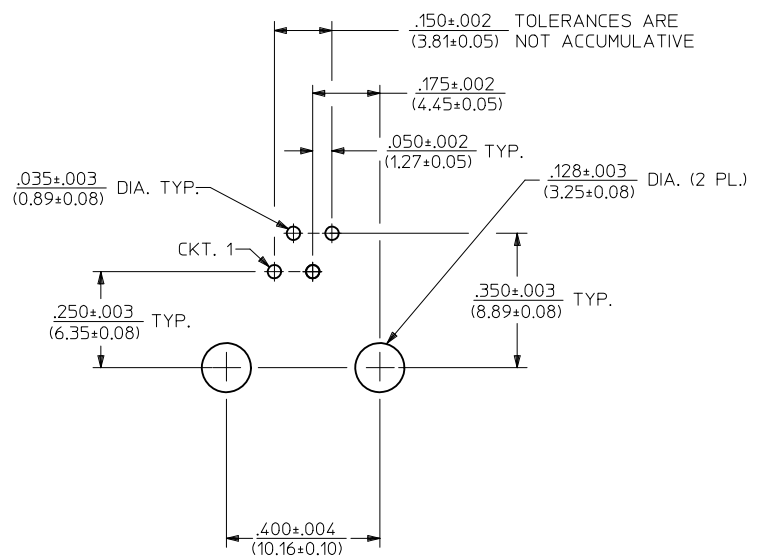
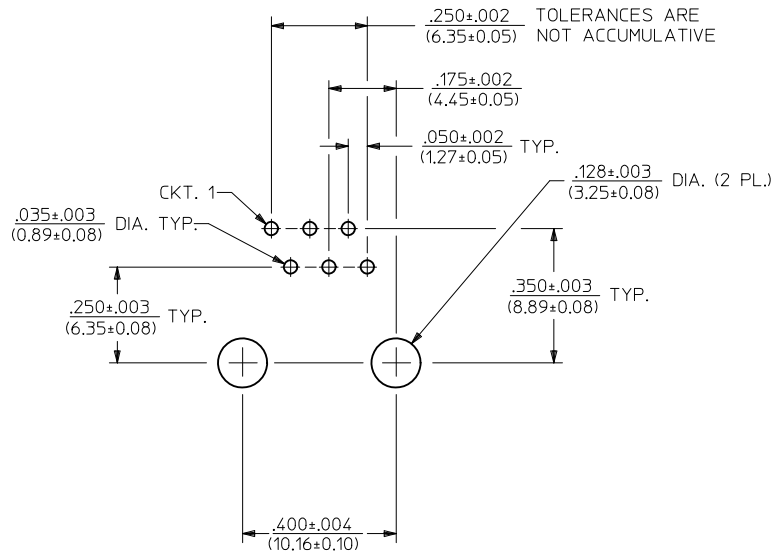
PC BOARD LAYOUT FOR 4 POSITION HOUSING
(4 CIRCUIT FOOT PRINT SHOWN)
(COMPONENT SIDE OF BOARD)



PC BOARD LAYOUT FOR 4 POSITION HOUSING
(2 CIRCUIT FOOT PRINT SHOWN)
(COMPONENT SIDE OF BOARD)

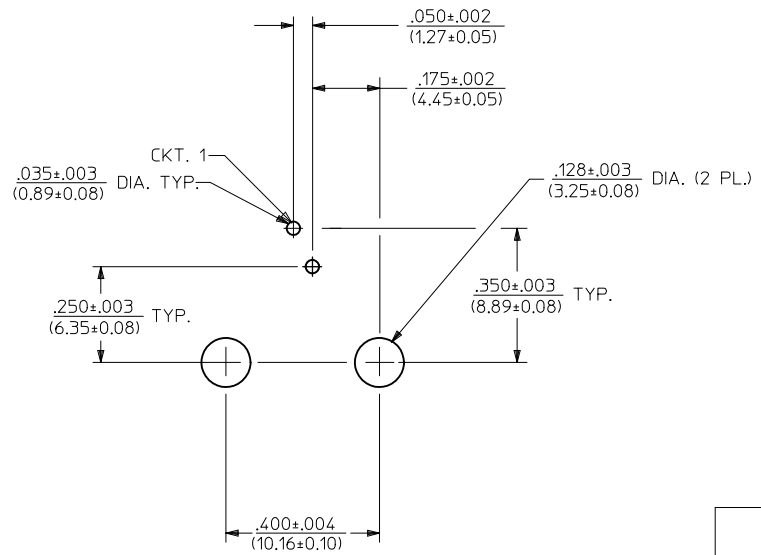
NOTES:
1. RECOMMENDED PCB THICKNESS: .062±.005/(1.57±0.13)

SEE SHEET 1 EC NO: UCP2012-2472 DRW: NGUYEN 2012/02/03 CHKD: BELL 2012/02/03 APPR: FSMITH 2012/02/09 L5	QUALITY SYMBOLS	GENERAL TOLERANCES (UNLESS SPECIFIED)	DIMENSION STYLE	SCALE	DESIGN UNITS	THIRD ANGLE PROJECTION
	▽=0	mm INCH	IN/MM	4:1	INCH	
	▽=0	4 PLACES ± --- ± ---	DRAWN BY DATE	TITLE ULTRA LOW PROFILE RIGHT ANGLE MODULAR JACK ASSEMBLY		
	▽=0	3 PLACES ± --- ± .010	JTR 1993/03/31			
		2 PLACES ± 0.25 ± .014	CHECKED BY DATE	Molex MOLEX INCORPORATED		
	1 PLACE ± 0.36 ± ---	JTR 1993/03/31				
	ANGULAR ± 1/2°	APPROVED BY DATE	MATERIAL NO. DOCUMENT NO. SDA-43202			
		FSMITH 2012/02/09				
		DRAFT WHERE APPLICABLE MUST REMAIN WITHIN DIMENSIONS	SEE SHEET 6	SHEET NO. 7 OF 9		
			SIZE C	THIS DRAWING CONTAINS INFORMATION THAT IS PROPRIETARY TO MOLEX INCORPORATED AND SHOULD NOT BE USED WITHOUT WRITTEN PERMISSION		



PC BOARD LAYOUT FOR 6 POSITION HOUSING
(6 CIRCUIT FOOT PRINT SHOWN)
(COMPONENT SIDE OF BOARD)

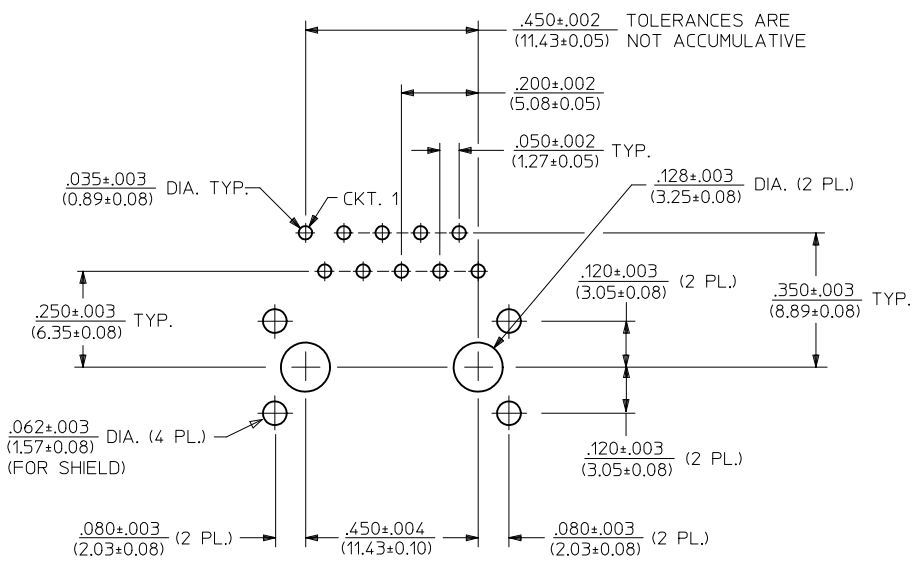
PC BOARD LAYOUT FOR 6 POSITION HOUSING
(4 CIRCUIT FOOT PRINT SHOWN)
(COMPONENT SIDE OF BOARD)



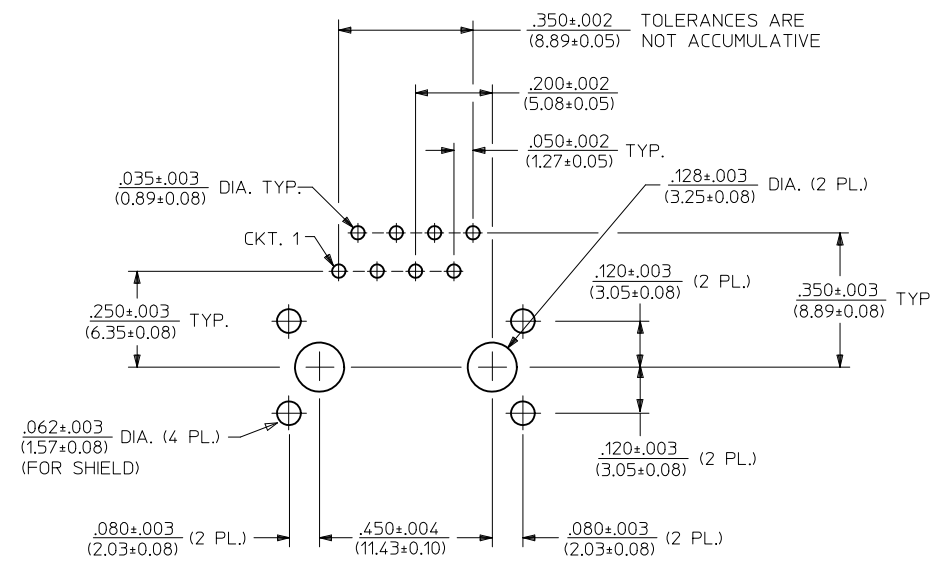
PC BOARD LAYOUT FOR 6 POSITION HOUSING
(2 CIRCUIT FOOT PRINT SHOWN)
(COMPONENT SIDE OF BOARD)

NOTES:
1. RECOMMENDED PCB THICKNESS: .062±.005/(1.57±0.13)

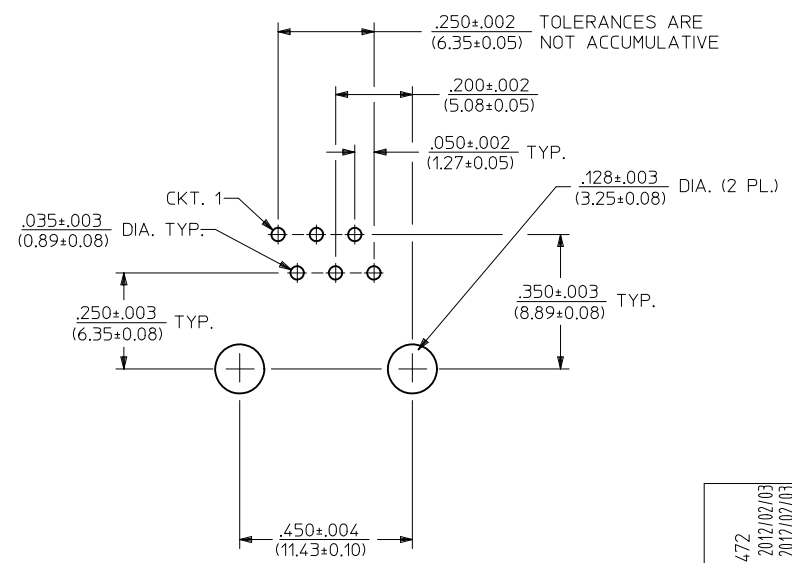
SEE SHEET 1 EC NO: UCP2012-2472 DRW: NGUYEN 2012/02/03 CHKD: BELL 2012/02/03 APPR: FSMITH 2012/02/09 L5	DESCRIPTION REV	QUALITY SYMBOLS	GENERAL TOLERANCES (UNLESS SPECIFIED)	DIMENSION STYLE	SCALE	DESIGN UNITS	THIRD ANGLE PROJECTION
		▽=0	mm INCH	IN/MM	4:1	INCH	ULTRA LOW PROFILE RIGHT ANGLE MODULAR JACK ASSEMBLY
		▽=0	4 PLACES ± --- ± ---	DRAWN BY DATE	JTR 1993/03/31	TITLE	
		▽=0	3 PLACES ± --- ± .010	CHECKED BY DATE	JTR 1993/03/31	APPROVED BY DATE	MOLEX MOLEX INCORPORATED SDA-43202
		▽=0	2 PLACES ± 0.25 ± .014	APPROVED BY DATE	FSMITH 2012/02/09	MATERIAL NO.	
		1 PLACE ± 0.36 ± ---	ANGULAR ± 1/2°	SEE SHEET 6	DOCUMENT NO.	SHEET NO.	
DRAFT WHERE APPLICABLE MUST REMAIN WITHIN DIMENSIONS			THIS DRAWING CONTAINS INFORMATION THAT IS PROPRIETARY TO MOLEX INCORPORATED AND SHOULD NOT BE USED WITHOUT WRITTEN PERMISSION		8 OF 9		



PC BOARD LAYOUT FOR 8 POSITION HOUSING
(10 CIRCUIT FOOTPRINT SHOWN)
(COMPONENT SIDE OF BOARD)



PC BOARD LAYOUT FOR 8 POSITION HOUSING
(8 CIRCUIT FOOTPRINT SHOWN)
(COMPONENT SIDE OF BOARD)



PC BOARD LAYOUT FOR 8 POSITION HOUSING
(6 CIRCUIT FOOTPRINT SHOWN)
(COMPONENT SIDE OF BOARD)

NOTES:
1. RECOMMENDED PCB THICKNESS: .062±.005/(1.57±0.13)

SEE SHEET 1 EC NO: UCP2012-2472 DRW: NGUYEN 2012/02/03 CHKD: BELL 2012/02/03 APPR: FSMITH 2012/02/09 L5	QUALITY SYMBOLS ∇=0 ∇=0 ∇=0	GENERAL TOLERANCES (UNLESS SPECIFIED) mm INCH 4 PLACES ± --- ± --- 3 PLACES ± --- ± .010 2 PLACES ± .25 ± .014 1 PLACE ± 0.36 ± --- ANGULAR ± 1/2°	DIMENSION STYLE IN/MM DRAWN BY DATE JTR 1993/03/31 CHECKED BY DATE JTR 1993/03/31 APPROVED BY DATE FSMITH 2012/02/09	SCALE 4:1 DESIGN UNITS INCH THIRD ANGLE PROJECTION	TITLE ULTRA LOW PROFILE RIGHT ANGLE MODULAR JACK ASSEMBLY	MATERIAL NO. SEE SHTS 5&6	MOLEX INCORPORATED DOCUMENT NO. SDA-43202	SHEET NO. 9 OF 9
	DRAFT WHERE APPLICABLE MUST REMAIN WITHIN DIMENSIONS		THIS DRAWING CONTAINS INFORMATION THAT IS PROPRIETARY TO MOLEX INCORPORATED AND SHOULD NOT BE USED WITHOUT WRITTEN PERMISSION					