



Chipsmall Limited consists of a professional team with an average of over 10 year of expertise in the distribution of electronic components. Based in Hongkong, we have already established firm and mutual-benefit business relationships with customers from,Europe,America and south Asia,supplying obsolete and hard-to-find components to meet their specific needs.

With the principle of “Quality Parts,Customers Priority,Honest Operation,and Considerate Service”,our business mainly focus on the distribution of electronic components. Line cards we deal with include Microchip,ALPS,ROHM,Xilinx,Pulse,ON,Everlight and Freescale. Main products comprise IC,Modules,Potentiometer,IC Socket,Relay,Connector.Our parts cover such applications as commercial,industrial, and automotives areas.

We are looking forward to setting up business relationship with you and hope to provide you with the best service and solution. Let us make a better world for our industry!



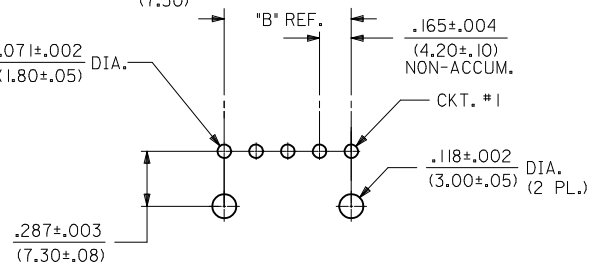
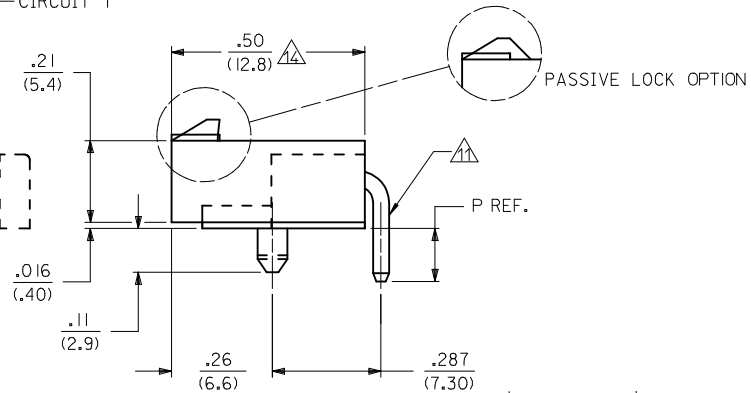
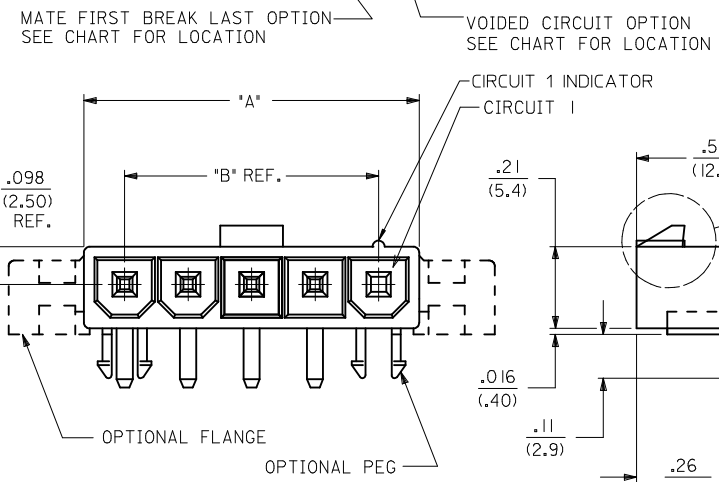
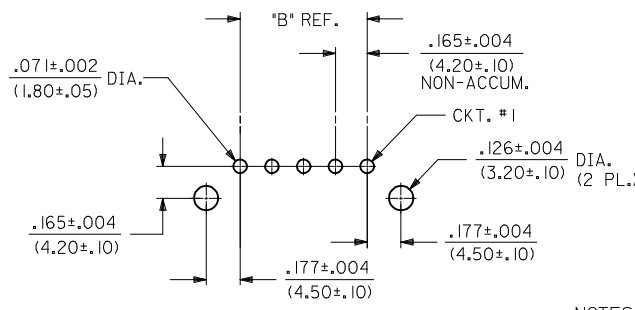
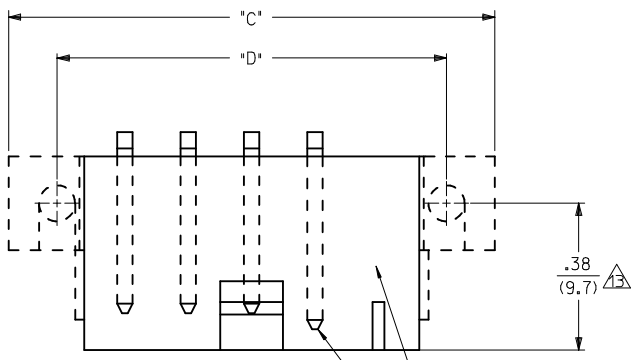
Contact us

Tel: +86-755-8981 8866 Fax: +86-755-8427 6832

Email & Skype: info@chipsmall.com Web: www.chipsmall.com

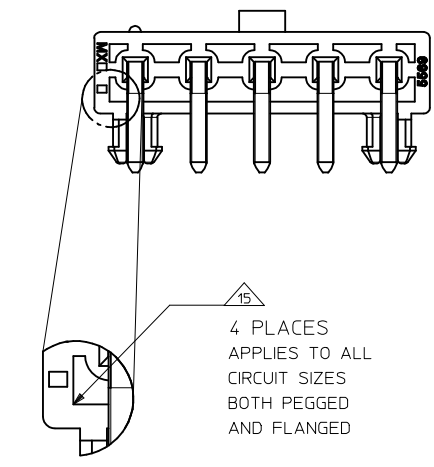
Address: A1208, Overseas Decoration Building, #122 Zhenhua RD., Futian, Shenzhen, China





CIRCUIT SIZE	DIM. "A"	DIM. "B"	DIM. "C"	DIM. "D"
2	.378 (9.60)	.165 (4.20)	.772 (19.60)	.520 (13.20)
3	.543 (13.80)	.331 (8.40)	.937 (23.80)	.685 (17.40)
4	.709 (18.00)	.496 (12.60)	1.102 (28.00)	.850 (21.60)
5	.874 (22.20)	.661 (16.80)	1.268 (32.20)	1.016 (25.80)
6	1.039 (26.40)	.827 (21.00)	1.433 (36.40)	1.181 (30.00)

- NOTES:
- MATERIAL: HOUSING: A - NYLON 6/6, UL 94V-2, LOW HALOGEN, COLOR: NATURAL B - NYLON 6/6, UL 94V-0, LOW HALOGEN, COLOR: NATURAL D - NYLON 6/6, UL 94V-0, LOW HALOGEN, COLOR: BLACK TERMINALS: BRASS
 - FINISH (TERMINAL PLATING): A - .000100/(0.00254) MIN. MATTE TIN OVER .000050/(0.0127) MIN. NICKEL OVERALL. B - .000030/(0.00076) MIN. SELECT GOLD AND .000100/(0.00254) MIN. SELECT MATTE TIN OVER .000050/(0.00127) MIN. NICKEL OVERALL
 - PRODUCT SPECIFICATION: PS-5556-001
 - PACKAGING: BULK PACKAGED PER PK-5569-002 TRAY PACKAGED PER PK-5569-005
 - PART MATES WITH MINI-FIT JR. RECEPTACLE #5557.
 - MOUNTING OPTIONS: 1 - PEGS 2 - FLANGES
 - LOCK RAMP STYLES: 1 - POSITIVE LOCK 2 - PASSIVE LOCK
 - PARTS ARE NOT TO BE MATED OR UNMATED WHILE CIRCUITS ARE LIVE.
 - PART IS NOT DESIGNED FOR CURRENT SHARING.
 - PART CONFORMS TO CLASS "B" REQUIREMENTS OF COSMETIC SPECIFICATION PS-45499-002.
 - FORMING MARKS ARE ACCEPTABLE
 - DISCOLORATION IN THE BANDOLIER CARRIER AREA OF THE PIN IS INHERENT TO THE PLATING PROCESS AND IS DUE TO THE MASKING EFFECT OF THE CARRIER. THIS DISCOLORATION IS IN A NON-FUNCTIONAL AREA OF THE PIN AND WILL NOT AFFECT THE PERFORMANCE OF THE HEADER ASSEMBLY.
 - FOR 3 CKT PART NUMBERS, THIS DIMENSION IS .379.35
 - FOR 3 CKT PART NUMBERS, THIS DIMENSION IS .49/12.45
 - CORNER CORE-OUTS ARE OPTIONAL AND MAY OR MAY NOT BE PRESENT
 - TEXT ON PART IS FOR REFERENCE ONLY. TEXT AND TEXT LOCATION MAY VARY DEPENDING ON PART NUMBER AND/OR TOOL.



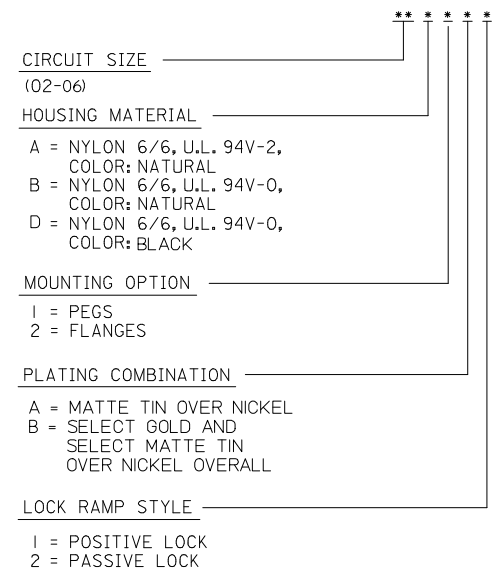
RECOMMENDED HOLE LAYOUT FOR .070/(1.78) MAX. THICK P.C. BOARD. VIEWED FROM COMPONENT SIDE (PEG MOUNT)

ADD BACK VIEW EC NO: UCP2017-0438 DRWING: SLAFTER 2016/08/23 CHKD: J.BELL 2016/08/23 APPR: FSMITH 2016/09/121	QUALITY SYMBOLS ▽=0 ▽=0 ▽=0	GENERAL TOLERANCES (UNLESS SPECIFIED) mm INCH 4 PLACES ± --- ± --- 3 PLACES ± --- ± .015 2 PLACES ± 0.38 ± --- 1 PLACE ± --- ± --- ANGULAR ± 1/2°	DIMENSION STYLE IN/MM DRAWN BY DATE POLGAR 1993/02/01 CHECKED BY DATE FRY 1993/02/01 APPROVED BY DATE FSMITH 2011/06/21	SCALE 4:1 DESIGN UNITS METRIC THIRD ANGLE PROJECTION	TITLE MINI-FIT JR. SINGLE ROW HEADER WITH MF/BL AND VOIDED CIRCUITS OPTION MOLEX INCORPORATED DOCUMENT NO. SDA-43232-* SHEET NO. 1 OF 2	
	DRAFT WHERE APPLICABLE MUST REMAIN WITHIN DIMENSIONS		MATERIAL NO. SEE SHEET 2	THIS DRAWING CONTAINS INFORMATION THAT IS PROPRIETARY TO MOLEX INCORPORATED AND SHOULD NOT BE USED WITHOUT WRITTEN PERMISSION		
	REV: C12		SIZE: C		SHEET NO. 1 OF 2	
	THIS DRAWING CONTAINS INFORMATION THAT IS PROPRIETARY TO MOLEX INCORPORATED AND SHOULD NOT BE USED WITHOUT WRITTEN PERMISSION					

ITEM NO.	CKT. SIZE	CHARACTERISTIC DESCRIPTION	HOUSING OPTION	PLATING	LETTER INDICATES PIN OPTION AT EACH CKT., SEE NOTE 2												DIM P REF	PACKAGING
					1	2	3	4	5	6	7	8	9	10	11	12		
432320001	05	05A IA I	PEG	A	SA	SA	V	SA	SA	-	-	-	-	-	-	-	.138/3.50	BULK
432320002	05	05A IA I	PEG	A	MA	SA	SA	SA	SA	-	-	-	-	-	-	-	.138/3.50	BULK
432320003	05	05B IA I	PEG	A	MA	SA	SA	SA	SA	-	-	-	-	-	-	-	.138/3.50	BULK
432320004	05	05B IA I	PEG	A	SA	V	SA	V	MA	-	-	-	-	-	-	-	.138/3.50	BULK
432320005	05	05A IA I	PEG	A	SA	V	SA	SA	SA	-	-	-	-	-	-	-	.138/3.50	BULK
432320006	05	05B IA I	PEG	A	SA	SA	SA	V	MA	-	-	-	-	-	-	-	.138/3.50	BULK
432320007	04	04B1A1	PEG	A	SA	MA	MA	SA	-	-	-	-	-	-	-	-	.138/3.50	BULK
432320008	04	04B1A1	PEG	A	MA	SA	SA	MA	-	-	-	-	-	-	-	-	.138/3.50	BULK
432320009	03	03B1A1	PEG	A	SA	V	SA	-	-	-	-	-	-	-	-	-	.138/3.50	BULK
432320010	03	03B1B1	PEG	B	SB	V	SB	-	-	-	-	-	-	-	-	-	.138/3.50	BULK
432320011	05	05B1B1	PEG	B	SB	SB	V	SB	SB	-	-	-	-	-	-	-	.138/3.50	BULK
432320012	05	05A1A1	PEG	A	SA	SA	SA	V	SA	-	-	-	-	-	-	-	.138/3.50	BULK
432320013	03	03B1A1	PEG	A	SA	SA	SA	-	-	-	-	-	-	-	-	.31/8.0	TRAY	
432320014	05	05B1A1	PEG	A	SA	SA	SA	SA	SA	-	-	-	-	-	-	.31/8.0	TRAY	
432320016	05	05A1A1	PEG	A	SA	V	V	V	SA	-	-	-	-	-	-	.138/3.50	BULK	
432320017	04	04B1A1	PEG	A	SA	V	V	SA	-	-	-	-	-	-	-	.138/3.50	BULK	
432320018	04	04B1B1	PEG	B	SB	V	V	SB	-	-	-	-	-	-	-	.138/3.50	BULK	
432320019	05	05B1A1	PEG	A	SA	V	SA	V	SA	-	-	-	-	-	-	.138/3.50	BULK	
432320020	03	03D1A1	PEG	A	SA	V	SA	-	-	-	-	-	-	-	-	.138/3.50	BULK	
432320021	05	05B1A1	PEG	A	SA	V	V	SA	V	-	-	-	-	-	-	.138/3.50	BULK	
432320022	03	03B1A1	PEG	A	SA	SA	SA	-	-	-	-	-	-	-	-	.18/4.5	BULK	

CODE	PIN TYPE	PLATING
SA	STANDARD	MATTE TIN
MA	MF/BL	MATTE TIN
SB	STANDARD	SELECT GOLD
MB	MF/BL	SELECT GOLD
V	VOID	

CHARACTERISTICS LEGEND:



CIRCUIT SIZE

(02-06)

HOUSING MATERIAL

- A = NYLON 6/6, U.L. 94V-2, COLOR: NATURAL
- B = NYLON 6/6, U.L. 94V-0, COLOR: NATURAL
- D = NYLON 6/6, U.L. 94V-0, COLOR: BLACK

MOUNTING OPTION

- 1 = PEGS
- 2 = FLANGES

PLATING COMBINATION

- A = MATTE TIN OVER NICKEL
- B = SELECT GOLD AND SELECT MATTE TIN OVER NICKEL OVERALL

LOCK RAMP STYLE

- 1 = POSITIVE LOCK
- 2 = PASSIVE LOCK

SEE SHEET 1 EC NO: UCP2017-0438 DRAWN: SLAFTER 2016/08/23 CHKD: J.BELL 2016/08/23 APPR: F.S.MITH 2016/09/21	QUALITY SYMBOLS 	GENERAL TOLERANCES (UNLESS SPECIFIED)		DIMENSION STYLE		SCALE	DESIGN UNITS	THIRD ANGLE PROJECTION			
				IN/MM		1:1	METRIC				
				mm	INCH	DRAWN BY		DATE		TITLE	
				4 PLACES ± ---	± ---	POLGAR	1993/02/01		MINI-FIT JR. SINGLE ROW HEADER WITH MF/BL AND VOIDED CIRCUITS OPTION		
		3 PLACES ± ---	± .015	CHECKED BY		DATE		MOLEX INCORPORATED			
		2 PLACES ± 0.38	± ---	FRY		1993/02/01					
		1 PLACE ± ---	± ---	APPROVED BY		DATE		MATERIAL NO. SDA-43232-*			
		ANGULAR ± 1/2°		F.S.MITH		2011/06/21					
		DRAFT WHERE APPLICABLE MUST REMAIN WITHIN DIMENSIONS		SEE CHART		DOCUMENT NO.		SHEET NO. 2 OF 2			
THIS DRAWING CONTAINS INFORMATION THAT IS PROPRIETARY TO MOLEX INCORPORATED AND SHOULD NOT BE USED WITHOUT WRITTEN PERMISSION											