



Chipsmall Limited consists of a professional team with an average of over 10 year of expertise in the distribution of electronic components. Based in Hongkong, we have already established firm and mutual-benefit business relationships with customers from,Europe,America and south Asia,supplying obsolete and hard-to-find components to meet their specific needs.

With the principle of “Quality Parts,Customers Priority,Honest Operation,and Considerate Service”,our business mainly focus on the distribution of electronic components. Line cards we deal with include Microchip,ALPS,ROHM,Xilinx,Pulse,ON,Everlight and Freescale. Main products comprise IC,Modules,Potentiometer,IC Socket,Relay,Connector.Our parts cover such applications as commercial,industrial, and automotives areas.

We are looking forward to setting up business relationship with you and hope to provide you with the best service and solution. Let us make a better world for our industry!



Contact us

Tel: +86-755-8981 8866 Fax: +86-755-8427 6832

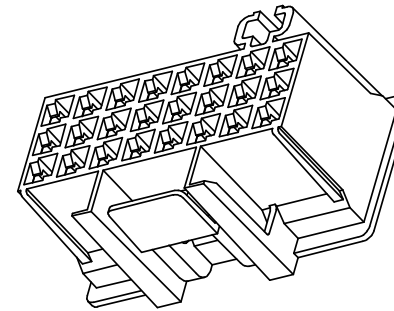
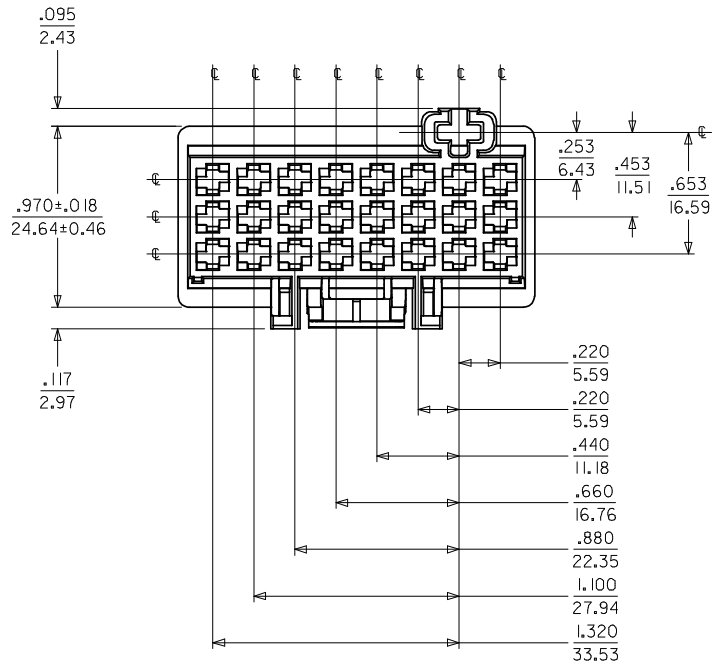
Email & Skype: info@chipsmall.com Web: www.chipsmall.com

Address: A1208, Overseas Decoration Building, #122 Zhenhua RD., Futian, Shenzhen, China

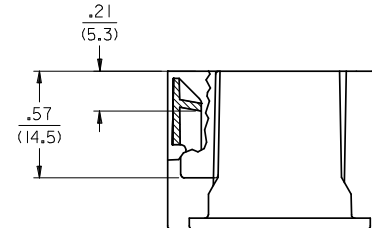
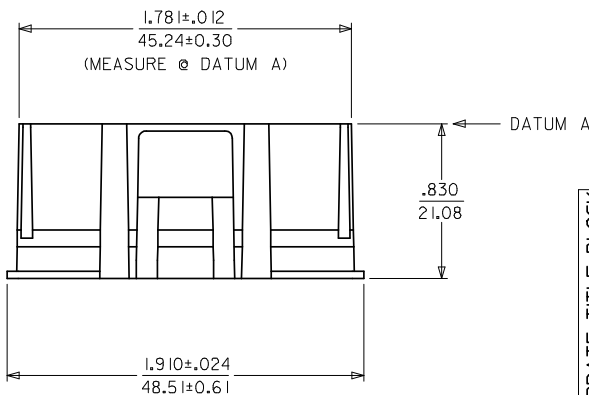


NOTES:

1. MATERIAL: NYLON PA66, UL94V-2, COLOR: NATURAL
2. FINISH: NOT APPLICABLE
3. PRODUCT SPECIFICATION: PSX-44441-9999
4. PACKAGING INFORMATION: PK-43275-002
5. USE TERMINALS: 43375-*,
6. SEE SMES-43275-0024 OR SMES-43275-9024 FOR THE DESCRIPTION OF THE MATING INTERFACE.
7. PARTS CONFORM TO CLASS 'B' REQUIREMENT OF COSMETIC SPECIFICATION PS-45499-002.



43275-1024



UPDATE TITLE BLOCK EC NO: UCP2007-2637 DRWN:PRI/DDR 2008/06/18 CHKD:AE/HAG 2008/06/18 APPR:FSM/LH 2008/06/25	DESCRIPTION H1	QUALITY SYMBOLS ▽=0 ▽=0	GENERAL TOLERANCES (UNLESS SPECIFIED) mm INCH 4 PLACES ± --- ± --- 3 PLACES ± --- ± .010 2 PLACES ± 0.25 ± .010 1 PLACE ± 0.25 ± --- ANGULAR ±1/2°	DIMENSION STYLE INCH ONLY DRAWN BY: KBP DATE: 94/03/10 CHECKED BY: KBP DATE: 94/03/10 APPROVED BY: RAS DATE: 94/03/10	SCALE: 2:1 DESIGN UNITS: INCH THIRD ANGLE PROJECTION	TITLE: CONNECTOR HOUSING 24 CIRCUITS APPLIANCE TIMER - TPA
		DRAFT WHERE APPLICABLE MUST REMAIN WITHIN DIMENSIONS	MATERIAL NO. 43275-1024	DOCUMENT NO. SD-43275-1024	SHEET NO. 1 OF 00	